

Non-stop.

Stainless steel
screw jacks for
the paper industry



COLUMBUS McKINNON Engineered Products GmbH

The brands Pfaff-silberblau and Alltec Antriebstechnik are positioned under the sturdy roof of Columbus McKinnon Corporation. Thanks to this unique constellation, our customers enjoy access to outstanding leading-edge technologies and components, which we, in line with the requirements specification, combine into customised solutions, perfectly matched to the respective application.

Columbus McKinnon Engineered Products GmbH

Global solutions provider

We offer far more than just the delivery of individual components. To meet the complex requirements of the paper industry, we develop sophisticated components with innovative technology augmented by the engineering services of experienced experts, the outcome being custom-fit solutions for the particular application in your production line.

You compose the system you require on the basis of modules. We advise, design and assemble – worldwide with a highly qualified technology team. Depending on the requirements, individual components are produced in our plant to specific customer requirements and assembled into reliably operating units. Load simulations can be carried out on our test stands upon special request.


As a global market leader, we not only sell products, but also offer our customers comprehensive lifecycle management services, which include:

- Technical project planning of complete drive systems
- Installation and commissioning
- Preventive and corrective maintenance

Thanks to our global distribution and service network, we can be on site quickly whenever you need us.

On the following pages, we present the standard components for technical solutions deployed in paper production.





steel

There is nothing more special than

Stainless steel screw jacks of the Pfaff-silberblau brand

The completely new series of stainless steel screw jacks for a load range of 30 kN to 250 kN has been designed to meet the harsh requirements of e. g. modern paper machines. This new series is based on a standard modular system which can be combined individually. By application of high-grade steel and innovative technology, this lifting solution can absolutely be used for steel hydraulics construction, food industry as well as in explosion-proof areas.

Especially for applications in paper manufacture, the new stainless steel series of Pfaff-silberblau is ideal:

- Plate adjustment in refiners
- Lip adjustment and/or positioning
- For tensioning of strainer
- For tensioning of felt for the cover opening of the drying actuator
- As tambour lift
- To lift and lower the tambour

Regardless of whether in basic design as **series SHE-S** or in swivel design as **series SSP** – our high quality and innovative technology stands for safety, availability and reliability.

A wide range of options and accessories ensure an optimal tuning between the components (stainless steel flexible shafts, couplings and bevel gear boxes) of your individual lifting solution.



Running rather than rusting

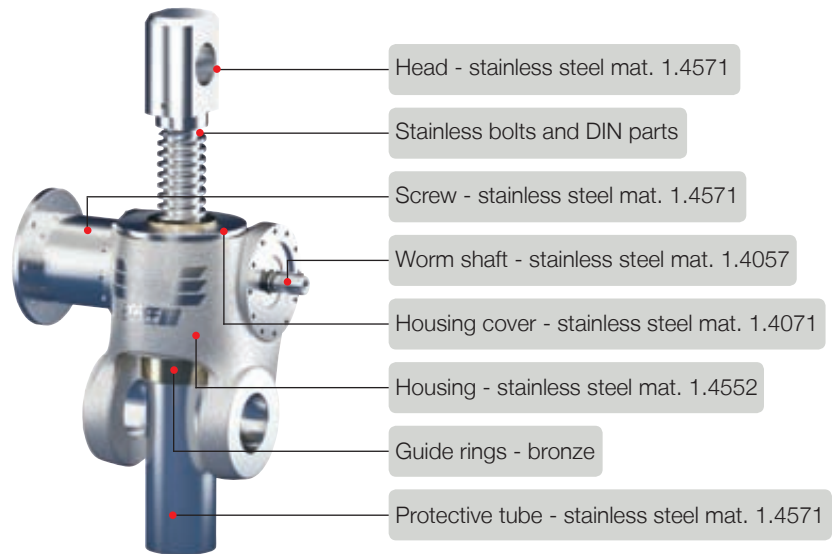
For use in corrosive environments, a special lifting element series has been developed. Since neither standard paintwork nor coatings afford lasting protection, all the components that come into contact with corrosive media have been made from corrosion-resistant materials.



low-maintenance
corrosion-resistant, hard-wearing

SSP series

To cater to the special requirements encountered in paper production, we have developed the **SSP series**. Numerous technical improvements have been made in addition to fundamental revision of design.



Key features:

- Three different installation sizes for a load range from 15 t to 25 t
- Input torque max. up to 1500 r.p.m.
- Motor flange screwable externally
- Modern design
- High quality lubrication
- Housing with swivel brackets
- Compatible with European manufacturers
- Standard mounting for motors
- Head machined for fixing any protection boot
- Innovative materials
- FEM optimised housing
- Two ratios (N and L)
- Self-locking Tr screw

Motion technology
Stainless steel screw jacks



SHE-S series

The **SHE-S** series is the stainless alternative and also identical in terms of the dimensions with our SHE series. The screw jacks are delivered as standard with mineral-oil-based lubricants, but can also be delivered with lubricants for the food processing industry.

The key features:

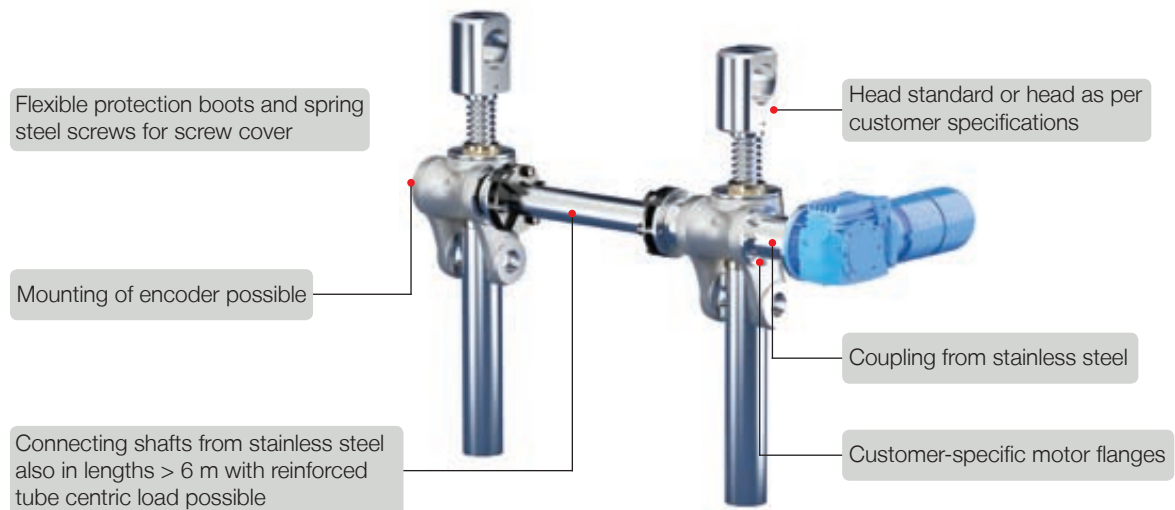
- Three different installation sizes for a load range from 3 t to 15 t
- Two different ratios N and L
- All mounting positions available
- Worm gear and screw grease lubricated
- Multitude of options
(motor mounting flange, various travelling nut designs...)



Motion technology

Stainless steel screw jacks

For upgrading individual screw jacks into complete drive systems, we offer a comprehensive range of accessories as stainless versions.





Tricks of the
trade



BLUECOMPETENCE
Alliance Member

Partner of the Engineering Industry
Sustainability Initiative

Qualitymanagement
DQP
ISO 9001:2008
Reg.-Nr. 054396 QM08

CMCO

COLUMBUS McKINNON

COLUMBUS McKINNON Engineered Products GmbH
Am Silberpark 2 - 8
86438 Kissing/Germany
Phone +49 8233 2121 777
Fax +49 8233 2121 805
actuators.kissing@cmco.eu
www.pfaff-silberblau.com

