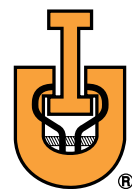


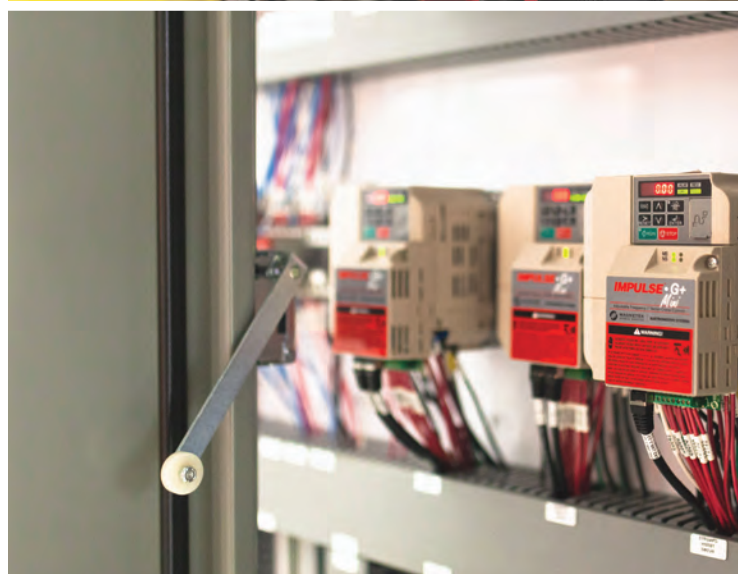


Unified Industries
Product Guide



UNIFIED





Superior Products With Innovative, Intelligent Motion Technology

CONTENTS

- INTRODUCTION 1
- ENCLOSED TRACK RAIL SYSTEMS 3
- PROPATH™ AUTOMATED WORKSTATION CRANE 7
- LIFT ASSISTS AND COMPONENTS 8
- UNI-LIFE TRACK® COMPLETE FALL PROTECTION SYSTEM 10
- ACCESSORIES 13

Columbus McKinnon's Unified Industries brand provides superior products combined with innovative, intelligent motion technology to achieve maximum performance. Carrying the load since 1953, Unified Industries continues to be a global leader in the overhead material handling market. Our solutions are ideal for all types of applications: from high-production systems in near-constant operation to those that may only be required once or twice a day.

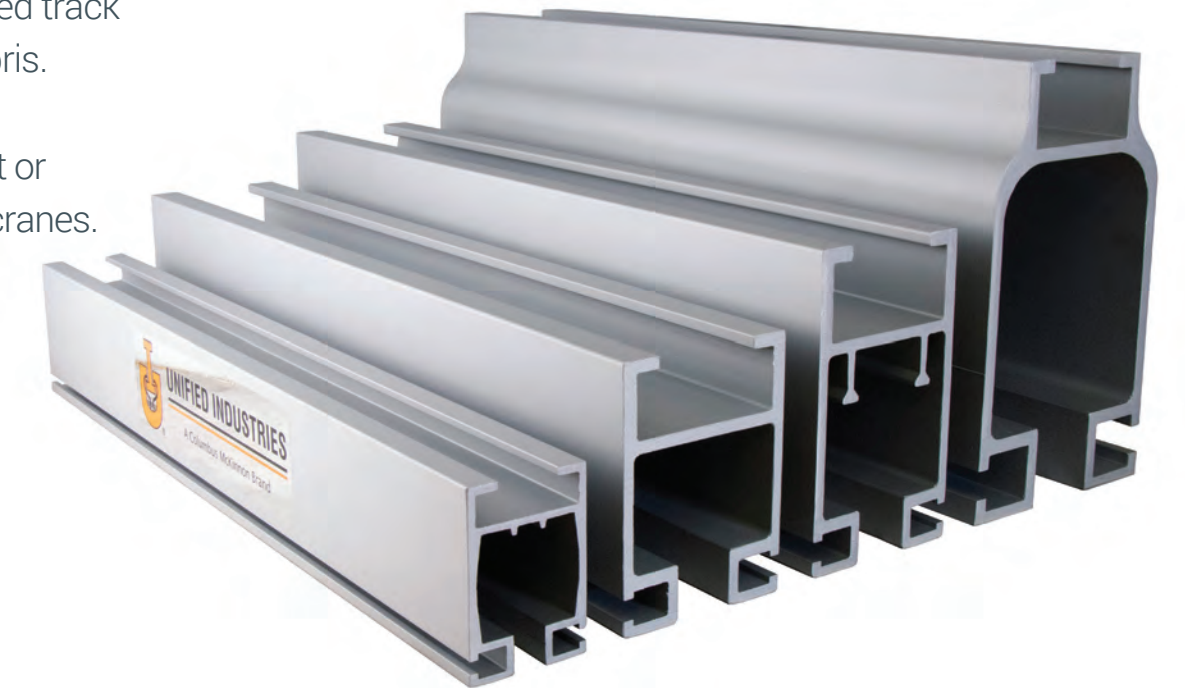
From the steel header to the under-the-hook lifting device, Unified Industries systems are designed with safety, productivity, and ergonomics in mind, featuring unique aluminum rails and industry-leading technology systems that installers have come to depend on. You can also combine Unified Industries products with other Columbus McKinnon solutions, including Magnetek® controls or CM® chain hoists, for a complete motion control system.

Whether your company is planning to install a new workstation or build a new plant, we have you covered with Unified Industries products. Our team will help you design a system to fit your application's exact specifications.

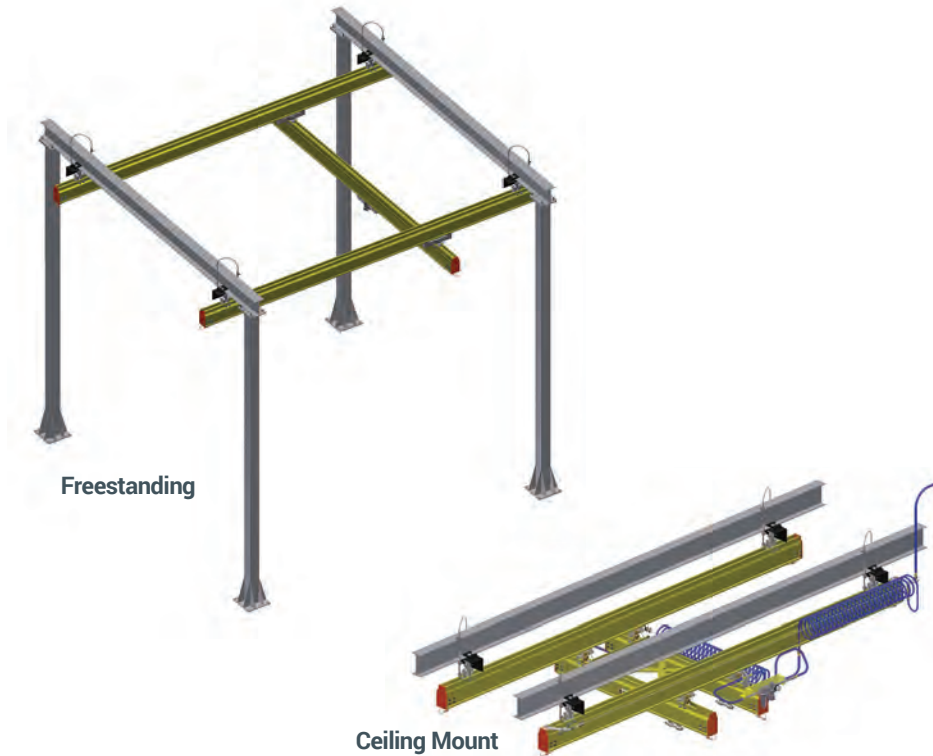


Enclosed Track Rail Systems

Enclosed track rail (ETA) systems provide smooth, quiet operation, and are available in straight-track, standard, and compound-curve configurations. Each profile is extruded from high-grade 6005-T5 aluminum and can be used as both runway and bridge rail. The aluminum profiles are lightweight, and the enclosed track ensures the rolling surface stays clean and free of debris. ETA-3, 4, 5, and 8 rail profiles can be paired with other Unified Industries solutions for complete ceiling-mount or freestanding workstation cranes, jib cranes, or gantry cranes.



ENCLOSED TRACK RAIL SYSTEMS



Workstation Cranes

When you need to move loads from one place to another, our aluminum-rail workstation cranes are a lightweight, high-strength option. Available in manual or automated configurations in a variety of sizes and lifting capacities, Unified Industries workstation cranes can be configured as ceiling-mount systems or freestanding structures. Workstation cranes are designed to seamlessly integrate with Columbus McKinnon's portfolio of powered and manual hoists for a complete lifting solution. Our workstation cranes are easy to install and can be placed anywhere you need to provide extra lifting power for your application.



Gantry Cranes

With capacities up to 2,200 lbs. and lengths up to 20 feet, our adjustable enclosed track aluminum gantry crane is an ideal solution anywhere lifting equipment is required on an infrequent basis. Profiles are extruded from lightweight 6005-T5 aluminum, so cranes are easy to move into place as changing facility configurations require. Large locking casters allow the gantry to be moved with ease and out of the way when not in use.

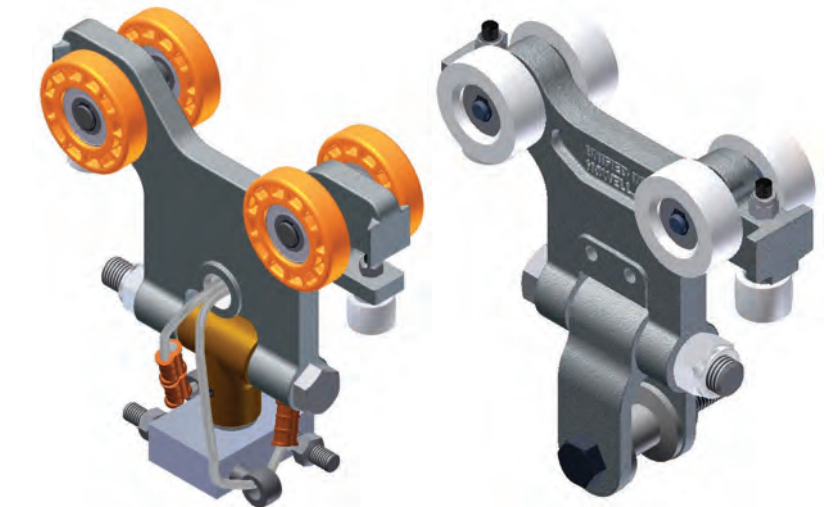
Designed to make installation and modifications easy, Unified Industries gantry cranes can be adjusted in 6" lifting heights to ensure they fit your facility's specifications. Inspection gates are installed as standard for quick trolley removal.



Jib Cranes

Unified Industries jib cranes are the ideal solution for areas where adequate headroom and structural support does not exist. Utilizing enclosed track aluminum monorails, jib cranes are available with a variety of options to best fit your application. Choose from articulated, wall-mounted, and base-mounted units with capacities up to 2,000 lbs., boom lengths up to 20 feet, and rotation up to 360 degrees.

Jib cranes can be used to supplement regular traveling or monorail track or used in bays and along the walls or the sides of shops. This allows operators to utilize the complete workspace without losing any ergonomic benefits. You can also pair Unified Industries jib cranes with Columbus McKinnon's full line of manual and powered chain hoists, adding reliability and durability to your lifting application. You'll get all components from the same source, making installation and troubleshooting quick and easy.



Components

Ergonomically superior to standard steel bridge crane and monorail systems, our ETA rail systems and components are designed to maximize productivity while maintaining the highest standards of safety. ETA-3, 4, 5, and 8 Rail Systems consist of a full suite of components, including hangers, end trucks, load trolleys, stops, festooning, inspection gates, splices, telescoping rails, limit switches, and more, so you can get your system up and running quickly.

Dual redundant safety measures are in place for all critical components, so you can be assured your system operates reliably. All enclosed track hangers, brackets, and trolleys are designed and tested with a safety factor of 5:1 yield stress.



ProPath™ Automated Workstation Crane

To move product around a plant floor safely and effectively, our unique ProPath Automated Workstation crane combines high-quality hardware with innovative controls to maximize performance and safety in your facility.

ProPath is available in two automated configurations for varying levels of control, integrating wireless communication, positioning components, diagnostics, and analytics for efficient, precise operation.



Semi-Automated Configuration:

In its semi-automated configuration, also known as auto dispatch, ProPath enables automated movement, while also utilizing human assistance for precise actions. This allows multiple areas to share a single crane and for finished product to travel through one, all, or a combination of work locations.

Fully Automated Configuration:

A fully automated ProPath system delivers intelligence, requiring no human assistance beyond setup. The system delivers critical, real-time data to a laptop, tablet, or human-machine interface (HMI), which can also remotely start, program, monitor, and troubleshoot the entire system.

Lift Assists and Components

Whether the solution you are looking for requires a custom-designed product or a LEAN tool solution, we have a full line of lift assists to help solve your material handling needs. A lift assist is ideal for high-torque offset loads or heavy lifts and allows operators to precisely and effortlessly position material. Choose from articulating arms, pneumatic cable balancers, vertical reaction lifters, grabbers, clamps, hooks, magnets, or additional custom solutions.

Lift assists improve facility and operator safety by reducing the risk of injury due to repetitive motions or load drops. Designed for smooth maneuvering and easy operation, lift assists can be used for a wide range of load capacities, material types, and mounting options. They are well suited for applications such as load suspension, panel transfers, roll handling devices, and much more.



Lift Assist



Column-Mount Articulating Arm



Control Handle



Vertical Reaction Lifter



Pneumatic Cable Balancer

Choose from standard lift components to complete your application:

- **Arms:** lifting capacity of up to 500 lbs. at 100 PSI
 - Reach up to 10 ft.
 - Available as column mount, carriage mount, or extension/banjo arm
- **Balancers:** ideal for transferring loads that require more precision than a pneumatic hoist
 - Capacity of up to 485 lbs.
 - Non-reeved balancers come equipped with a 9-meter cable
- **Control handles:** provide precise load positioning and control in ergonomic, easy-to-use designs
 - Available in multiple standard and trigger models, depending on application needs
 - Left- and right-hand configurations available with button placement that matches your thumb's natural range of motion
 - Available in electric, pneumatic, and electric/pneumatic configurations
- **Vertical lifters:** capacities of up to 1,000 lbs. at 100 PSI
 - Standard stroke lengths from 12-36 inches
 - Torque up to 760 ft-lbs.

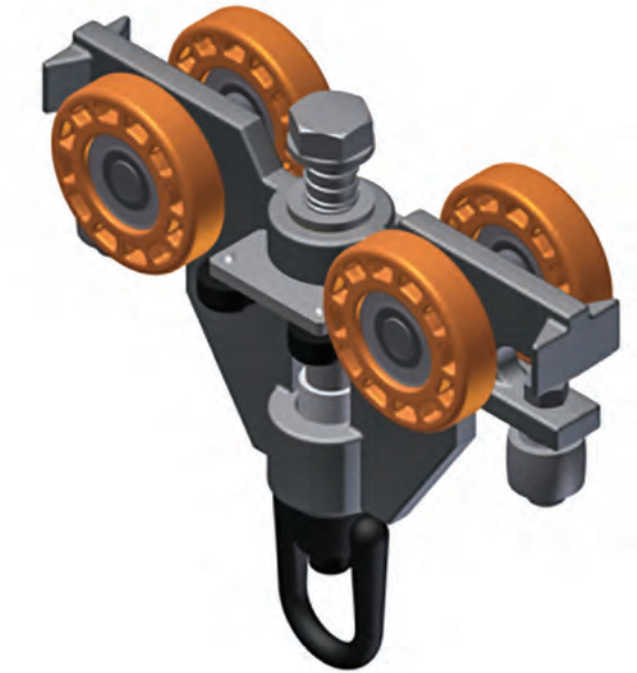


Uni-Life Track[®] Complete Fall Protection System

The Uni-Life Track Complete Fall Protection System is a total solution designed to keep your workforce safe, protecting against accidental operator slips and falls from elevated work areas. With typical fall protection systems, in the event of a fall, a trolley will roll to the center of two hanging points. This increases the risk of a swing fall into obstacles, resulting in a secondary fall injury. Uni-Life Track provides a solid stable anchorage between two end points, minimizing the risk of a secondary injury.

The Uni-Life Track trolley will stop immediately if a fall occurs. Especially in low-headroom applications, the rigid anchorage fall protection option is far superior when compared to wire systems, providing critical safety and cost advantages.

The system is designed for fast and easy installation and complies with OSHA standards and ANSI regulations. End trucks come pre-assembled on bridges, while hangers and end stops are pre-assembled and packaged by system, allowing you to set up your system in a fraction of the time. Uni-Life Track is custom designed to fit your specific application and available for use by single or multiple workers. All systems are designed to meet or exceed the standards set forth in ANSI Z359.1.





Accessories

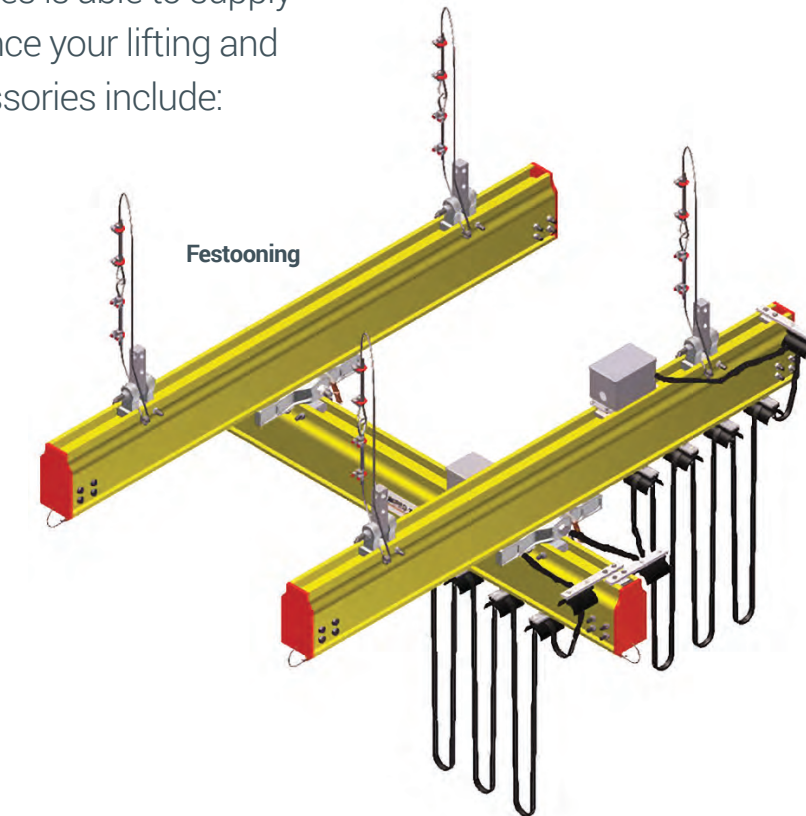
Whether the solution requires a custom-developed product or a simple LEAN tool, Unified Industries is able to supply a full line of accessories to help enhance your lifting and positioning systems. Additional accessories include:



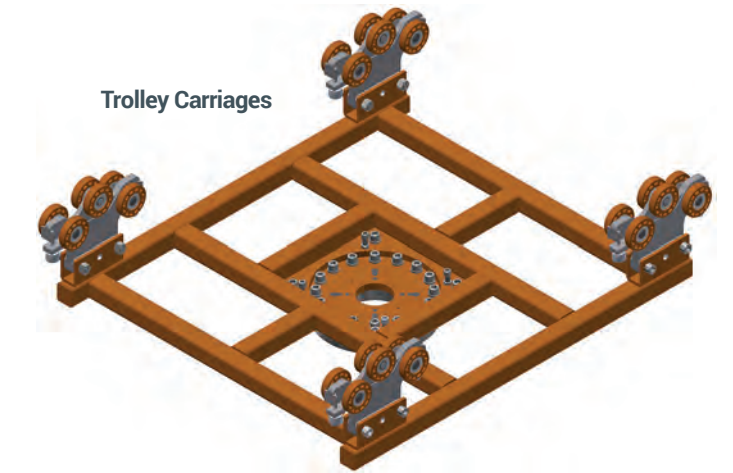
Rail Gates



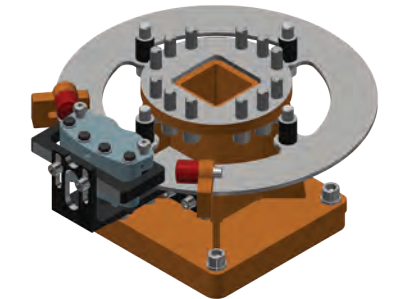
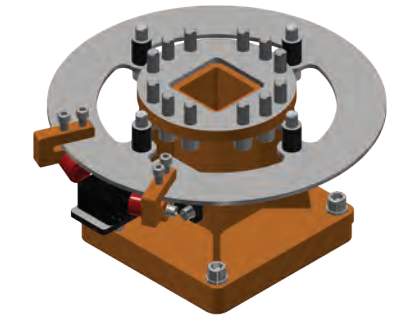
Air Tractors



Festooning



Trolley Carriages





PHONE 517.546.3220 / FAX 517.546.0696 / EMAIL SALES@UNIFIED-IND.COM
COLUMBUSMCKINNON.COM/UNIFIED

