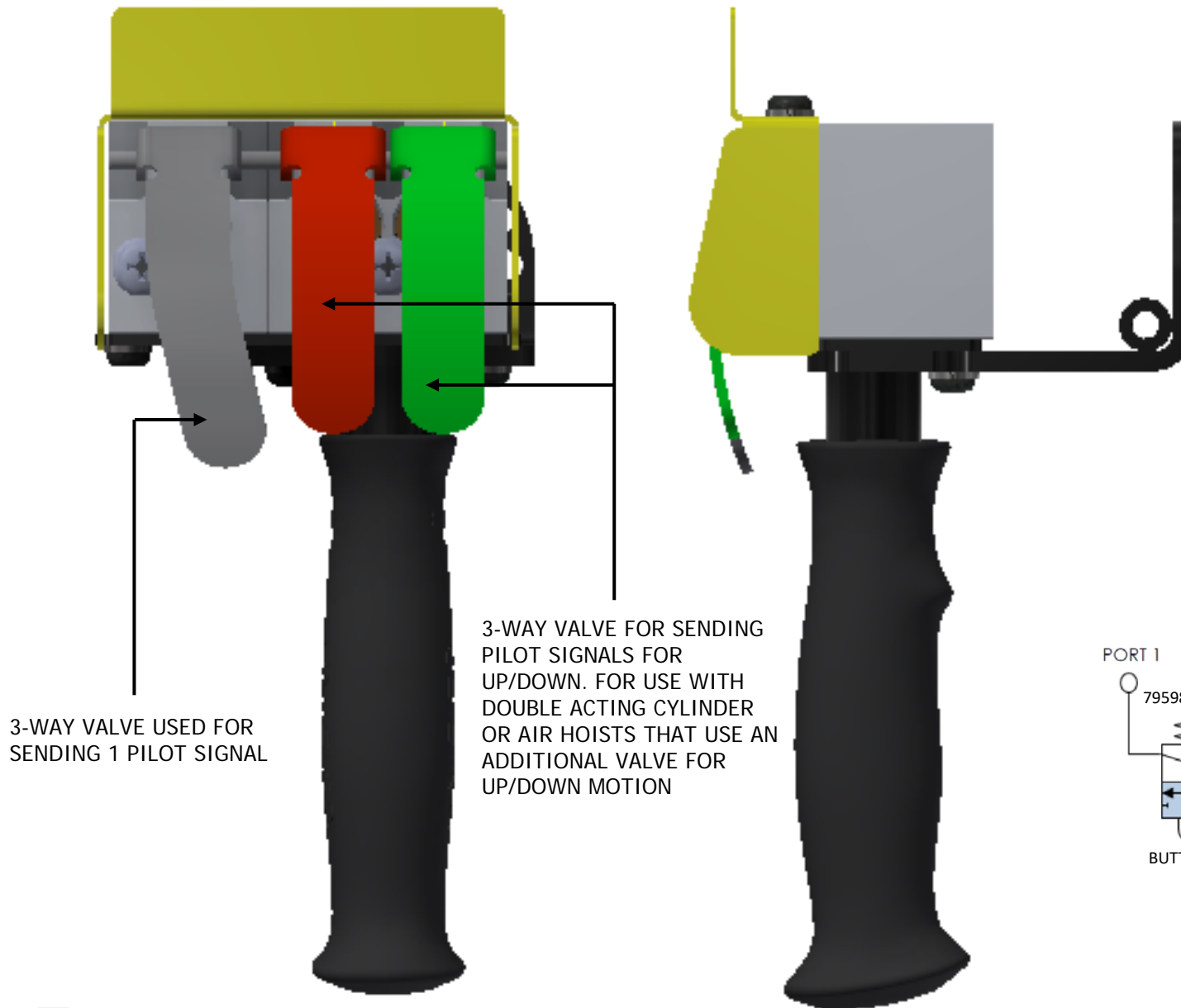


79681 – PNEUMATIC THREE BUTTON HANDLE ASSEMBLY FOR UP/DOWN WITH THREE PILOT SIGNALS RH



3-WAY VALVE USED FOR SENDING 1 PILOT SIGNAL

3-WAY VALVE FOR SENDING PILOT SIGNALS FOR UP/DOWN. FOR USE WITH DOUBLE ACTING CYLINDER OR AIR HOISTS THAT USE AN ADDITIONAL VALVE FOR UP/DOWN MOTION

- TEMPERATURE RANGE: 32 TO 125 DEGREES F
- MAXIMUM PRESSURE: 100 PSI
- DUAL BLOCK PORTS:
 - PORT 1: 1/4" NPT PILOT SIGNAL
 - PORT 2: 1/4" NPT AIR SUPPLY
 - PORT 3: 1/4" NPT PILOT SIGNAL
- SINGLE BLOCK PORTS
 - PORT 1: 1/4" NPT PILOT SIGNAL
 - PORT 2: 1/4" NPT AIR SUPPLY
- HARDWARE TO BE SNUG TIGHT
- REQUIRES CLEAN DRY AIR

