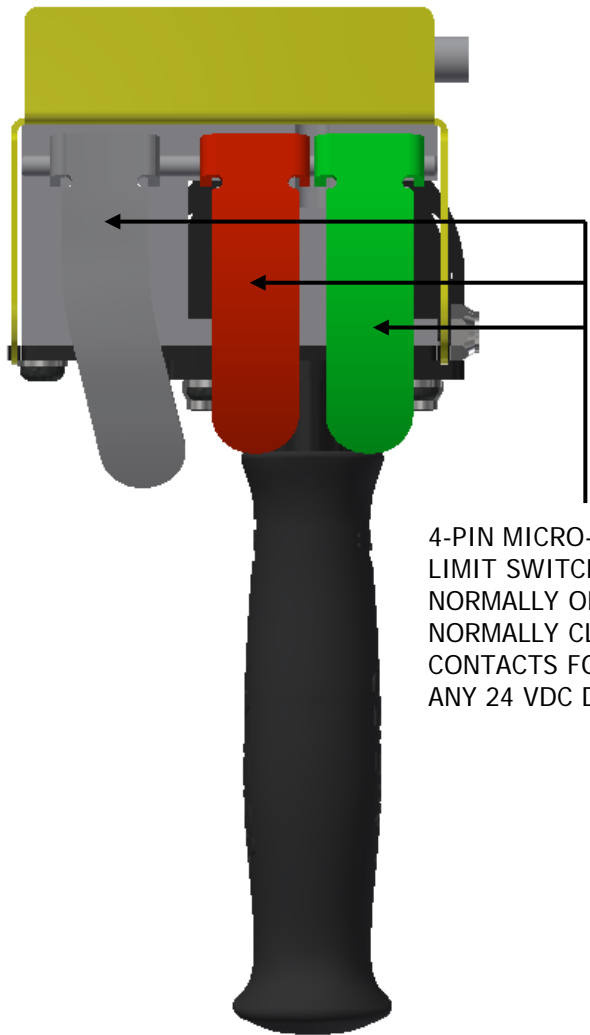
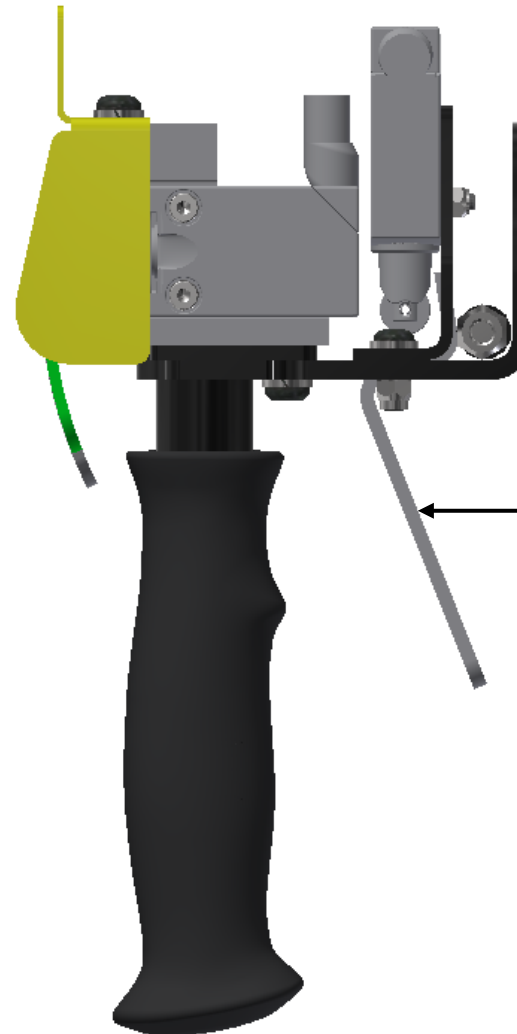


# 79715 – ELECTRIC THREE BUTTON HANDLE ASSEMBLY FOR UP/DN RH WITH TRIGGER



4-PIN MICRO-SINGLE POLE LIMIT SWITCH WITH 1 NORMALLY OPEN AND 1 NORMALLY CLOSED CONTACTS FOR USE WITH ANY 24 VDC DEVICE



MIT SWITCH DATA:  
PROTECTION RATING: IP69  
SHOCK RESISTANCE: 25 GN  
VIBRATION RESISTANCE: 5 GN  
ELECTRICAL SHOCK PROTECTION:  
CLASS III IEC  
TEMPERATURE RANGE: 32 TO 125 FF  
HARDWARE TO BE SNUG TIGHT  
ACCEPTS STANDARD M12 QUICK  
DISCONNECT CONNECTORS

4-PIN MICRO-SINGLE POLE LIMIT SWITCH WITH 1 NORMALLY OPEN AND 1 NORMALLY CLOSED CONTACTS FOR USE WITH ANY 24 VDC DEVICE

LIMIT SWITCH CONTROLS:

