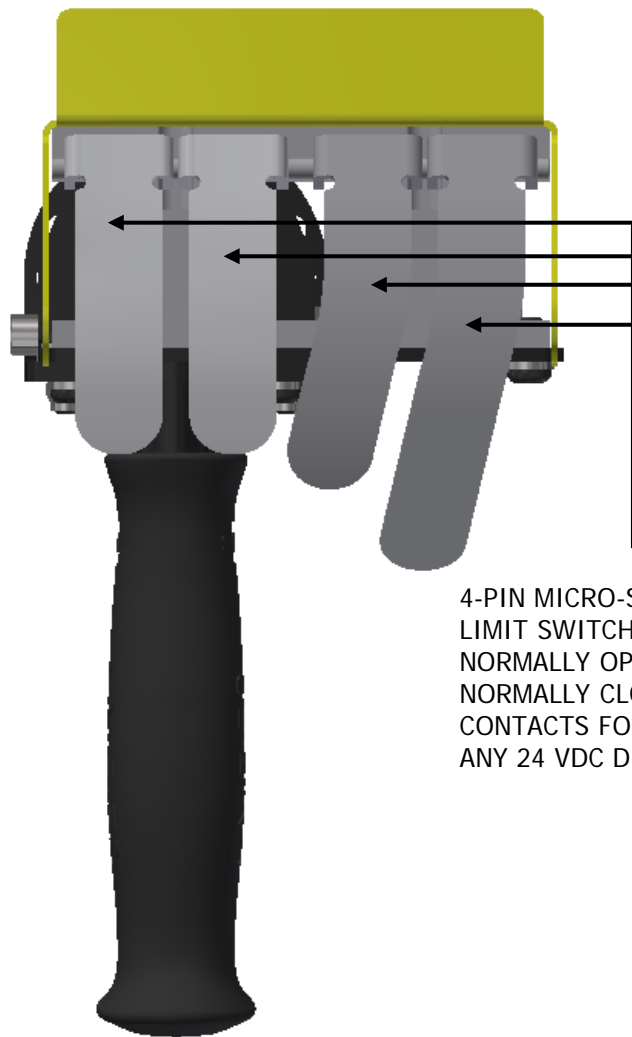
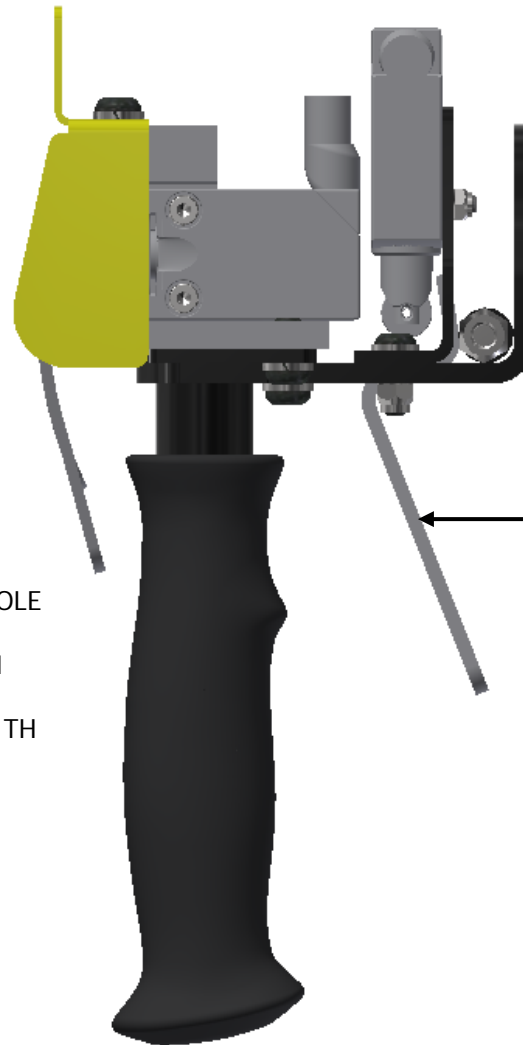


79716 – ELECTRIC FOUR BUTTON HANDLE ASSEMBLY LH WITH TRIGGER



4-PIN MICRO-SINGLE POLE
LIMIT SWITCH WITH 1
NORMALLY OPEN AND 1
NORMALLY CLOSED
CONTACTS FOR USE WITH
ANY 24 VDC DEVICE



LIMIT SWITCH DATA:

- PROTECTION RATING: IP69
- SHOCK RESISTANCE: 25 GN
- VIBRATION RESISTANCE: 5 GN
- ELECTRICAL SHOCK PROTECTION:
CLASS III IEC
- TEMPERATURE RANGE: 32 TO 125 FF
- HARDWARE TO BE SNUG TIGHT
- ACCEPTS STANDARD M12 QUICK
DISCONNECT CONNECTORS

4-PIN MICRO-SINGLE POLE
LIMIT SWITCH WITH 1
NORMALLY OPEN AND 1
NORMALLY CLOSED
CONTACTS FOR USE WITH
ANY 24 VDC DEVICE

LIMIT SWITCH CONTROLS:

