

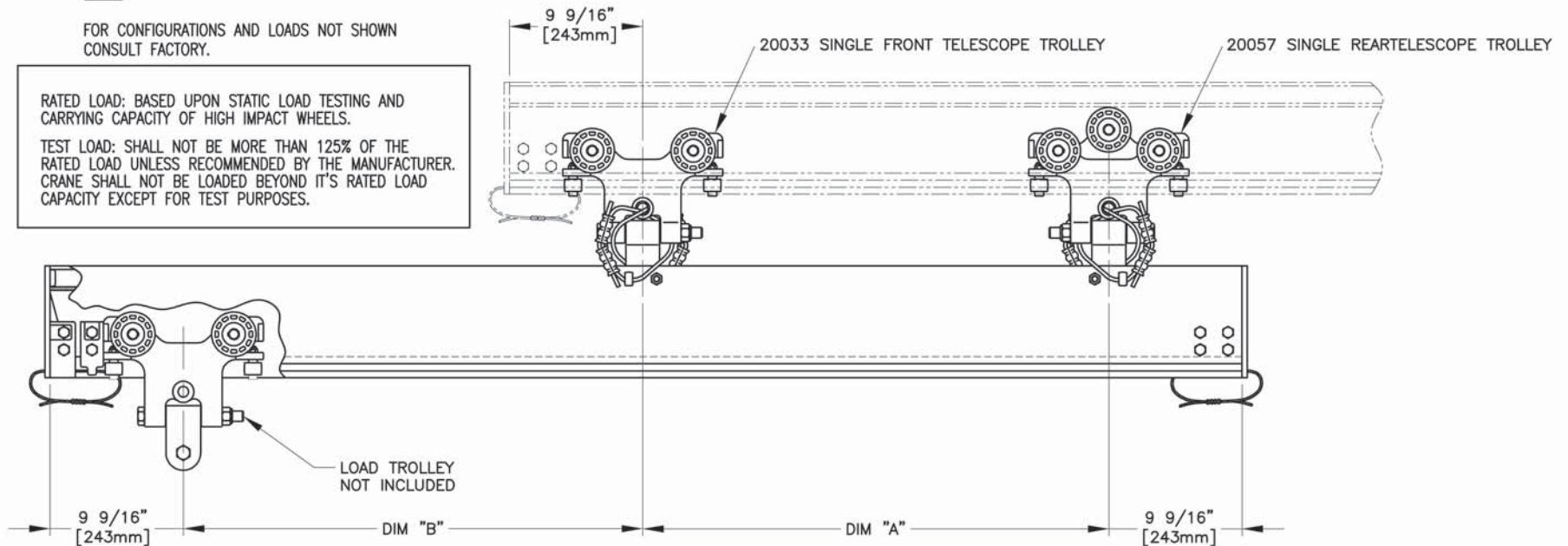
ETA-8 TELESCOPING UNITS

| ETA-8 TELESCOPE UNIT WITH SINGLE TROLLEY FRONT AND REAR | | | | | | | | | | | | | | | |
|---|--------|------------|----------|------------|--------|------------|----------|------------|--------|------------|----------|------------|--------|------------|----------|
| "A" | "B" | RATED LOAD | | "A" | "B" | RATED LOAD | | "A" | "B" | RATED LOAD | | "A" | "B" | RATED LOAD | |
| | | 1/250 | 1/450 | | | 1/250 | 1/450 | | | 1/250 | 1/450 | | | 1/250 | 1/450 |
| 24 INCH | 24 in. | 475 lbs. | 475 lbs. | 36 INCH | 24 in. | 570 lbs. | 570 lbs. | 48 INCH | 24 in. | 635 lbs. | 635 lbs. | 60 INCH | 24 in. | 675 lbs. | 675 lbs. |
| | 36 in. | 320 lbs. | 320 lbs. | | 36 in. | 465 lbs. | 465 lbs. | | 36 in. | 535 lbs. | 535 lbs. | | 36 in. | 585 lbs. | 585 lbs. |
| | 48 in. | 230 lbs. | 230 lbs. | | 48 in. | 365 lbs. | 365 lbs. | | 48 in. | 460 lbs. | 460 lbs. | | 48 in. | 510 lbs. | 510 lbs. |
| | 60 in. | 175 lbs. | 175 lbs. | | 60 in. | 280 lbs. | 280 lbs. | | 60 in. | 390 lbs. | 390 lbs. | | 60 in. | 450 lbs. | 410 lbs. |
| | 72 in. | 140 lbs. | 140 lbs. | | 72 in. | 225 lbs. | 225 lbs. | | 72 in. | 315 lbs. | 315 lbs. | | 72 in. | 400 lbs. | 300 lbs. |

NOTE:

FOR CONFIGURATIONS AND LOADS NOT SHOWN
CONSULT FACTORY.

RATED LOAD: BASED UPON STATIC LOAD TESTING AND CARRYING CAPACITY OF HIGH IMPACT WHEELS.
TEST LOAD: SHALL NOT BE MORE THAN 125% OF THE RATED LOAD UNLESS RECOMMENDED BY THE MANUFACTURER. CRANE SHALL NOT BE LOADED BEYOND IT'S RATED LOAD CAPACITY EXCEPT FOR TEST PURPOSES.



| ETA-8 TELESCOPE UNIT WITH SINGLE TROLLEY FRONT AND REAR | | | | | | | | | | | | | | | |
|---|--------|------------|---------|-----------|--------|------------|---------|------------|--------|------------|---------|------------|--------|------------|---------|
| "A" | "B" | RATED LOAD | | "A" | "B" | RATED LOAD | | "A" | "B" | RATED LOAD | | "A" | "B" | RATED LOAD | |
| | | 1/250 | 1/450 | | | 1/250 | 1/450 | | | 1/250 | 1/450 | | | 1/250 | 1/450 |
| 610 mm | 610mm | 215 Kg. | 215 Kg. | 914 mm | 610mm | 259 Kg. | 259 Kg. | 1219 mm | 610mm | 288 Kg. | 288 Kg. | 1524 mm | 610mm | 306 Kg. | 306 Kg. |
| | 914mm | 145 Kg. | 145 Kg. | | 914mm | 211 Kg. | 211 Kg. | | 914mm | 243 Kg. | 243 Kg. | | 914mm | 265 Kg. | 265 Kg. |
| | 1219mm | 104 Kg. | 104 Kg. | | 1219mm | 166 Kg. | 166 Kg. | | 1219mm | 209 Kg. | 209 Kg. | | 1219mm | 231 Kg. | 231 Kg. |
| | 1524mm | 79 Kg. | 79 Kg. | | 1524mm | 127 Kg. | 127 Kg. | | 1524mm | 177 Kg. | 177 Kg. | | 1524mm | 204 Kg. | 186 Kg. |
| | 1829mm | 64 Kg. | 64 Kg. | | 1829mm | 102 Kg. | 102 Kg. | | 1829mm | 143 Kg. | 143 Kg. | | 1829mm | 181 Kg. | 136 Kg. |