



# BATTERYSTAR

BATTERY POWERED CHAIN HOIST



POWERED BY



# READY WHEN YOU ARE

Do you need the lifting strength and speed of an electric chain hoist and power is not available or the portability of a manual hoist without the time-consuming effort of manually operating the hoist? Then turn to the CM® BatteryStar™ Battery Powered Chain hoist built with industry-leading technology from Columbus McKinnon and Milwaukee Tool®. Designed for portability and easy installation, **the BatteryStar can have you lifting in minutes** – simply attach the hoist to an anchor point, slide in a battery, and you’re ready to go!

Powered by an industry-leading **M18™ Red Lithium Battery from Milwaukee Tool®**, the BatteryStar is built for heavy-duty lifting and uses the same M18™ battery you may already have on your job site for added convenience.

Designed for safety and ease of use, the BatteryStar is **controlled by a wireless remote** to keep the operator out of the load path. The remote also features built-in intelligence, alerting the operator of an overload situation or if hoist inspection is due.

Whether you’re lifting materials at a construction site or moving equipment into place for an outdoor concert, the BatteryStar has the **power and speed** you need for any application – especially when external power is not available.



Compact-size hoist



Battery inside



Wireless control

# WHICH HOIST & WHEN

	Hand chain hoist	CM® BatteryStar™	Power chain hoist
Portability	portable	portable	heavy/stationary
Energy/Power	manual pull power	battery, no cabling	needs cabling for power supply
Cost	low	medium	high
Speed/Efficiency	low	medium	high



# FEATURES AND BENEFITS

Capacity: 1,000 kg | Standard Lift: 6 m, 12 m & 18 m | Lift Speed: 2.4 m/min | Completely wireless



## NO ELECTRIC POWER REQUIRED

- Operates on battery power, specifically a Milwaukee Tool® brand M18™ battery, making it ideal for applications or areas where electricity is unavailable or difficult to reach.
- Provides lifting speeds up to 2.4 m/min, helping increase operator efficiency as much as 4x compared to using a manual hoist.

## PORTABILITY

- Weighing less than 26 kg. when 6 m of chain is included, the BatteryStar is compact and lightweight for easy portability.
- Optional road/carrying cases available.



## VERSATILE OPERATION

- Hoist can be used in either with the hoist body attached to the anchor point or inverted.
- Inverted operation eliminates the need to carry the weight of the hoist up to the anchor point. Just carry the hook up to the anchor point and let the hoist lift itself and the load up.

## DURABILITY & RELIABILITY

- Electronic clutch and secondary mechanical clutch provide dual protection from hoist overload.
- Integrated limit switch for the highest and lowest hook position considerably extends the service life of the slip clutch, motor and gearbox.
- Electronics are IP55 rated.

## QUICK & EASY INSTALLATION

- Lightweight and portable, the BatteryStar can be easily attached to an anchor point, then you're ready to lift. No cords or power is required.
- Simply snap a charged battery into place, and the hoist is ready to operate.

## PRECISE LIFTING

- Hoist offers true variable speed, allowing for precise lifting in any application.



### PATENT-PENDING BRAKE

- With a patent-pending design, the mechanical brake automatically activates when lowering the load, providing safe operation.
- Brake inspection windows on the top and bottom of the hoist allow operators to easily check brake wear, helping to facilitate preventative maintenance.



### LONG HOIST & CHAIN LIFE

- Rugged composite hoist cover designed for durability in rough conditions.
- Brushless DC motor for extended hoist life.
- Zinc-plated load chain for protection against corrosion.

### OTHER FEATURES

- EM 1Cm rated.
- EC Conformity.
- Third-party certified to UL and CSA requirements.
- Chain bag provided as standard. The chain bag tilts automatically in case of inverted application.



### SAFE, REMOTE OPERATION

- Remote buttons allow for true variable speed – the further you push the button, the faster the lifting speed. This allows the operator to precisely position the load.
- Wireless remote keeps the operator safe and away from the load, allowing for operation from over 20 m away from the hoist.
- Remote features built-in intelligence, alerting the operator with light-up icons:

- Low Battery
- Overcapacity
- Over-Temperature Warning
- Inspection Reminder\*

- Rugged and durable, the remote is IP55 rated and can stand up to the harsh conditions of any worksite.
- Remote is easy to connect. Features a light to show that connection is in progress, and the hoist makes an audible sound when connection is complete.
- Standard emergency stop button easily disables the remote.
- Remote includes a lanyard to prevent the operator from dropping it during operation and a belt clip for easy portability.
- RF-certified.

\*Hoist inspection light is based on the recommended annual hoist inspection for normal use. Refer to the operator's manual for inspection recommendations by application. Hoist inspection indication requires the use of One-Key™. (see operation manual for details)

# FEATURES AND BENEFITS

## TRUSTED, HIGH-QUALITY BATTERY

- Supplied battery is fully compatible with more than 250 Milwaukee Tool® products utilizing M18™ batteries for added convenience on the job site.
- Unique patented designs protect every REDLITHIUM™ Battery, safeguarding your investment through drops, weather exposure, and harsh environments.

## HOOK TRAVEL DISTANCE BY LOAD CAPACITY

- How long the BatteryStar can run on one battery charge depends on the load that is applied on the hoist's hook.
- The smaller the loads, the longer the hoist can operate without recharging the battery.
- This chart gives you a rough idea of how many meters the BatteryStar can run on one battery charge when loads smaller than 1 tonne are moved.

## WHAT HAPPENS SHOULD THE BATTERY RUN LOW



This icon on the wireless remote will warn you (slowly flashing red) when the battery has only 25% residual charge. Make sure you lower the load and recharge or replace the battery.

If the battery still became so low during your work that you cannot move the load anymore:

- Simply open the battery compartment and remove the battery, then insert a charged battery.
- Otherwise, in an emergency, open the end compartment and lower the load with a power drill.

## MILWAUKEE TOOL® ONE KEY™

BatteryStar hoist includes Milwaukee Tool® ONE-KEY™\* that allows you to:

- Connect your hoist and other smart tools to your job site for easy asset management and tracking
- Access to equipment information from your computer or smartphone with an easy-to-use app and interface.
- Inspection interval feature to set reminders and store records of hoist inspections.
- To use this feature, download the ONE-KEY™ app from the App Store® or Google Play™ on your smart device and follow the instructions in our Manual.

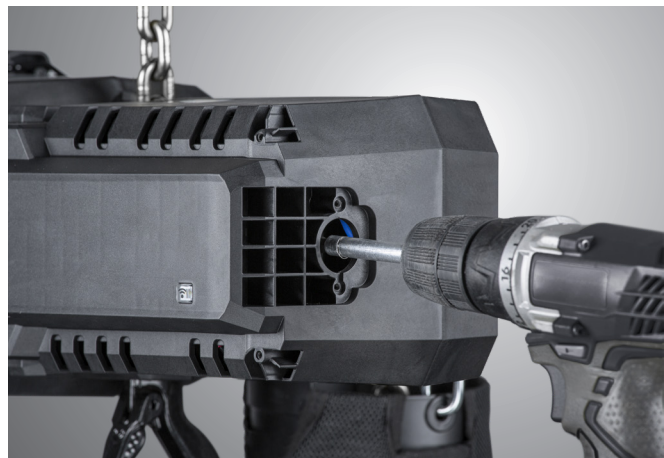
## PERMANENT SOUND PRESSURE LEVEL

The equivalent permanent sound pressure level at the workplace of the operating staff is  $\leq 75$  dB. It was determined with the use of the measurement surface sound pressure level method (distance from lifting device 1 m, 9 measuring points, precision class 2 DIN 45635).



Battery	Capacity	Hook Travel*
12.0 Ah Battery	250 kg	145 m
	500 kg	90 m
	750 kg	67 m
	1,000 kg	55 m

\* Estimated total travel with equal lifting and lowering.



# PART NUMBERS AND DIMENSIONS

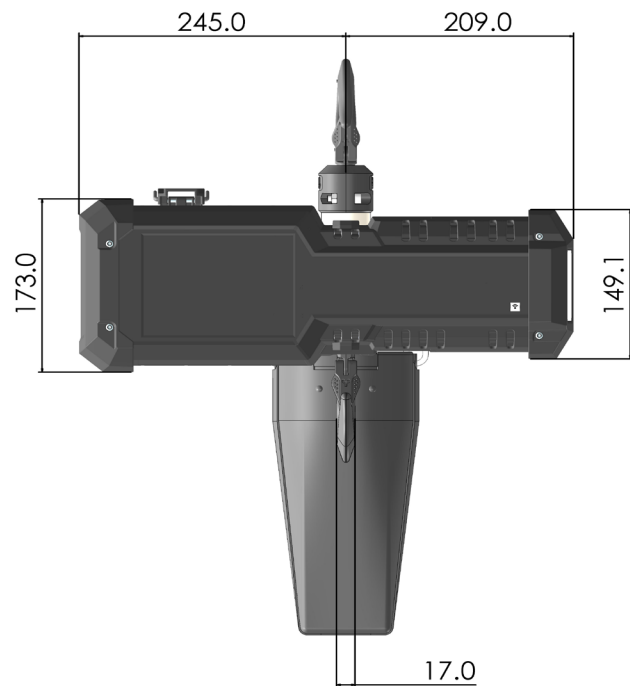
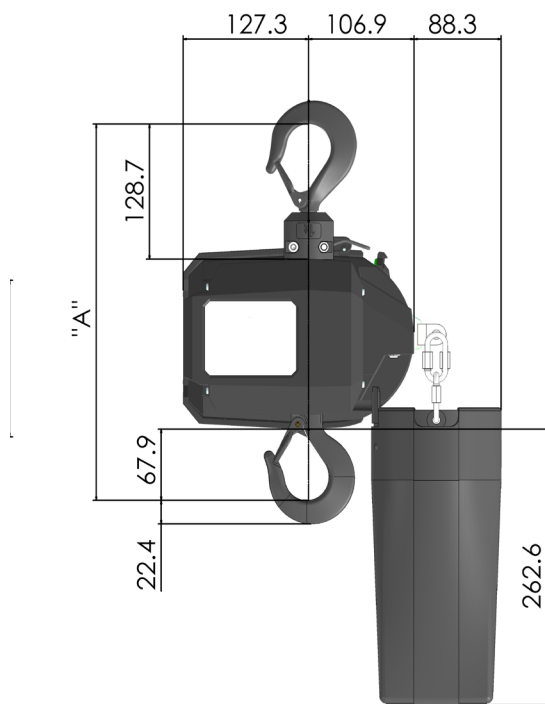


Pos.	Model	Art.-No.	Capacity kg	Suspension type hook	Hoist speed m/min	HOL m
1	BatteryStar hoist 6 m HOL complete with wireless remote & chain container	192109029	1000	Swivel	2.4	6
2	BatteryStar hoist 12 m HOL complete with wireless remote & chain container	192109030	1000	Swivel	2.4	12
3	BatteryStar hoist 18 m HOL complete with wireless remote & chain container	192109031	1000	Swivel	2.4	18

Pos. 1, 2 & 3 do not include battery, charger or travel case

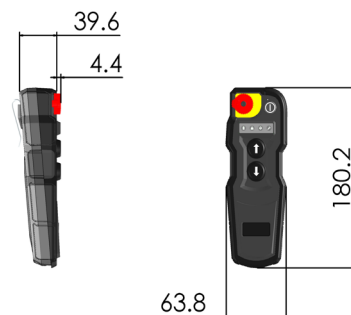
## Options

4	Remote control kit (Spare or replacement)	192098906	
5	Battery (18 V, 12 Ah)	192098606	
6	Charger (UK specific)	192102950	
7	Portable protective travel case	192108437	



## HEADROOM

Hook Type	Dimension "A" (mm)
Rigid	371





**CMCO**  
INTELLIGENT MOTION  
Columbus McKinnon



**Columbus McKinnon Corporation Ltd.** | Knutsford Way | Sealand Industrial Estate | Chester | CH1 4NZ

Tel +44 (0) 1244 375375 | sales.uk@cmco.eu | www.cmco.com

**Columbus McKinnon Corporation Ltd.** | Unit 1A Ferguson Centre | 57-59 Manse Road | Newtownabbey | BT36 6RW

Tel +44 (0) 2890 840697 | sales.ni@cmco.eu | www.cmco.com