

65 YEAR ANNIVERSARY SPECIAL EDITION



# Camlok<sup>®</sup>

## Lifting Clamps

1958 - 2023

PRODUCT CATALOGUE, APRIL 2023



Columbus McKinnon designs and produces an extensive portfolio of durable and reliable products for a wide range of industries, with which heavy loads can be moved, lifted, positioned and secured ergonomically and safely. With a history spanning over 150 years, Columbus McKinnon is a global leader in lifting and smart technology.

Our portfolio of high quality brands including Camlok, Yale, Pfaff-silberblau, Stahl CraneSystems, CM, Magnetek, Duff-Norton and Dorner are solving high value problems that transform businesses, increase safety and drive business growth and efficiency.

At Columbus McKinnon, we work together, guided by our mission, vision, and values, to raise expectations of ourselves and ultimately increase our value to the customers and shareholders we serve.

**Our Mission**

We provide expert, professional-grade solutions and products, to help solve our customers' high-value problems.

**Our Vision**

To become the leading industrial technology company in safe and productive motion control.



Experience, know-how and innovative strength combined with a far-reaching understanding of user requirements is the formula for success on which our portfolio of hoisting and material handling equipment products has been based for a long time.

Our tradition of close customer relationships and customer services as well as our constant striving for optimisation provide the basis for all new and further developments of our brands.

Columbus McKinnon is a global organization with our UK headquarter in Chester. Columbus McKinnon's global footprint includes offices and manufacturing facilities across North America, Latin America, Europe, Africa and Asia.

Columbus McKinnon Corporation Limited  
 Knutsford Way  
 Sealand Industrial Estate  
 Chester  
 CH1 4NZ  
 United Kingdom  
 Telephone: +44 (0) 1244 3753  
 Email: sales.uk@cmco.eu  
 www.columbusmckinnon.com

## Camlok® Lifting Clamps

On 6th February 1958, Camlok Lifting Clamps (originally known as Deeweld) was founded.

Laurence Burns, an insurance salesman, and his father-in-law John Roberts, a railway clerk gambled their future on an idea for a lifting clamp.

Between them, they assembled just 5 clamps a week. The clamps were hung over a broomstick, suspended over two chairs, for painting.

Over the next 60 years, many things were to change including moving to their current location on Sealand Industrial Estate, Chester. In 1998 Deeweld changed their name to Camlok Lifting Clamps Limited and in 1999 the company was purchased by Columbus McKinnon.



Camlok evolved from a general industrial need to lift and transfer steel plate either horizontally, vertically or a combination of both, in a secure and safe manner. This heritage generated the capability and understanding for Camlok to lead the way in engineering non-standard lifting solutions for technically demanding applications. All products are designed for easy repair and parts replacement, providing a lifetime of faithful service and performance.



Camlok is the leading brand for plate clamps and other items of lifting equipment. In fabrication plants, factories, warehouses, ports and docks, on construction sites, railheads and repair and service facilities around the world, the Camlok plate clamp and related products are the number one choice. The Camlok brand was founded on original, innovative British design and manufacture.

To date, Camlok have manufactured over 1 million products and supplied them all over the world through their network of distributors who provide full advice, training, parts and after-sales services to ensure that Camlok lifting clamps deliver reliable, productive and cost-effective performance - wherever you are, whatever you do!





## Training

As a manufacturer, we have many years of experience in inspecting and repairing products in the field of lifting technology. We would like to pass on this knowledge to our customers and offer seminars and training courses either in-house or on-site as requested.

These are not only product training courses, but seminars that provide participants with up-to-date insider information and a solid knowledge of our lifting technology.

## Offering advice

Our highly qualified personnel are there for you at all our locations, as well as specialised dealers who provide competent know-how and service.

### Chester office business hours:

Monday - Thursday 08:30 - 17:00

Friday 08:30 - 16:30

### Belfast office business hours:

Monday - Thursday 08:30 - 17:00

Friday 08:30 - 14:00

### Carlow office business hours:

Monday - Thursday 08:30 - 17:00

Friday 08:30 - 14:00

Columbus McKinnon Corporation Limited

Knutsford Way

Sealand Industrial Estate

Chester

CH1 4NZ

United Kingdom

Telephone: +44 (0) 1244 375375

Email: [sales.uk@cmco.eu](mailto:sales.uk@cmco.eu)

[www.columbusmckinnon.com](http://www.columbusmckinnon.com)

Columbus McKinnon Corporation Limited

Unit 1A Ferguson Centre,

57-59 Manse Road

Newtownabbey

BT36 6RW

United Kingdom

Telephone: +44 (0) 2890 840697

Email: [sales.ni@cmco.eu](mailto:sales.ni@cmco.eu)

[www.columbusmckinnon.ie/ni](http://www.columbusmckinnon.ie/ni)

Columbus McKinnon Corporation Limited

Unit 4 South Court

Wexford Road Business Park

Carlow

R93 W138

Ireland

Telephone: +353 (0) 59 918 6605

Email: [info.irl@cmco.eu](mailto:info.irl@cmco.eu)

[www.columbusmckinnon.ie](http://www.columbusmckinnon.ie)

## Camlok Lifting Clamps

Camlok lifting clamps and attachments have a reputation for reliability, quality and safety. For transportation and handling of loads with a hoist, Camlok offers the optimum connection between hook and load for almost any application.

## Table of contents

	Page
Vertical plate clamps	6 - 14
Horizontal plate clamps	15 - 19
Girder clamps	20 - 23
Rail handling	24 - 25
Lifting lugs	26
Ground works	27 - 30
Board clamp	31
Permanent load lifting magnets	32 - 33
Grabs	34 - 37
Drum handling	38 - 41
Screw clamps	42 - 43
Beam clamps	44 - 45
Forklift attachments	46
Big bag lifter	47
Crane forks	48 - 49
C-Hooks	50 - 51
Cable reel lifter	52
Hand grip clamps	53
User information	54
Terms and conditions	55



\* Best seller



SCAN ME



## 92 Series vertical plate clamps

Standard plate clamps with safety lock

Working load limit (WLL) 50 - 3000 kg

These clamps are primarily used for transporting sheet metal and steel plates in the vertical position, as well as lifting and rotating through 180°.

They can also be used for transporting steel constructions and profiles. It is recommended to use a pair of plate clamps in conjunction with a spreader beam for long plates.

### Function

The jaw is opened and closed with the locking lever except for the 92-500 which uses a positive spring loaded cam. The safety lock spring loads the cam jaw, preventing the clamp from opening even when there is no load on the jaw.

### Workmanship and parts

These plate clamps are service-friendly, making it easy to exchange parts, which are readily available. Clamp repairs must be done by a trained person.

Product group: I2

## INFO

The plate surface of the material being clamped must have a hardness level below HRC 30/Brinell 300.

### Technical data 92 Series

Model	Art.-No.	*WLL kg	Jaw (Z) Capacity mm	**Weight kg
92-500	N50100051	50 - 500	0 - 16	1.5
92-1500	N50100056	100 - 1500	0 - 20	3.0
92-2000	N50100057	200 - 2000	0 - 32	8.0
92-3000	N50100058	300 - 3000	0 - 32	12.0

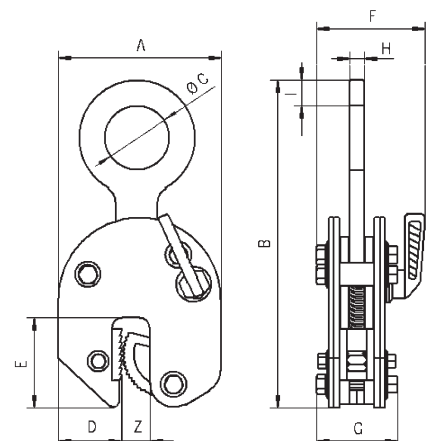
PLEASE NOTE: Units are supplied as a standard with a hook ring. Link fitting and chain are available on request as a special order

\*Per clamp

\*\*Weight per clamp with hook ring / Standard length of chain = 4-6 links

### Dimensions 92 Series

Model	92-500	92-1500	92-2000	92-3000
A, mm	99	126	192	192
B, mm	195	225	312	320
Ø C, mm	29	50	80	80
D, mm	33	49	75	75
E, mm	47	70	96	96
F, mm	50	82	100	100
G, mm	48	55	81	81
H, mm	11	13	20	30
I, mm	15	20	24	30



## CZ Vertical plate clamps

Heavy duty plate clamps with safety lock

Working load limit (WLL) 100 - 30000 kg

These clamps are primarily used for transporting sheet metal and steel plates in the vertical position, as well as lifting and rotating through 180°.

They can also be used for transporting steel constructions and profiles. It is recommended to use a pair of plate clamps in conjunction with a spreader beam for long plate.

### Function

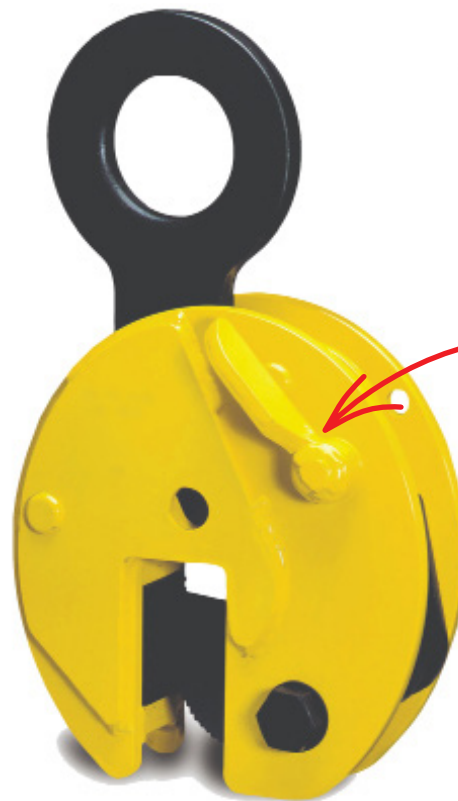
The jaw is opened and closed with the locking lever.

The safety lock spring loads the cam jaw, preventing the clamp from opening even when there is no load on the jaw.

### Workmanship and parts

These plate clamps are service-friendly, making it easy to exchange parts, which are readily available. Clamp repairs must be done by a trained person.

Product group: I2



Welded shell construction

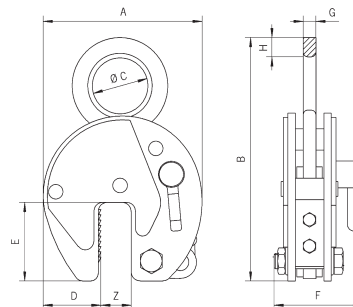


SCAN ME

## INFO

The plate surface of the material being clamped must have a hardness level below HRC 30/Brinell 300.

Product group: I2



## Technical data CZ

Model	Art.-No.	*WLL kg	Jaw (Z) Capacity mm	A mm	B mm	C mm	D mm	E mm	F mm	G mm	H mm	**Weight kg
CZ 1	N430000092	100 - 1000	0 - 20	140	254	51	48	70	83	13	19	4
CZ 2	N430000107	200 - 2000	0 - 32	197	323	67	68	93	110	20	10	9
CZ 3	N430000115	300 - 3000	0 - 32	197	371	80	68	93	110	20	30	10
CZ 4	N50100005	400 - 4000	0 - 32	197	371	80	68	93	129	20	30	10
CZ 4L	N50100006	400 - 4000	30 - 60	228	390	80	68	93	129	20	30	12
CZ 6	N50100021	600 - 6000	0 - 50	293	484	89	95	143	129	25	35	21
CZ 6L	N50100008	600 - 6000	50 - 100	362	524	89	95	143	129	25	35	28
CZ 8	N50100022	800 - 8000	0 - 50	293	492	89	95	143	129	25	42	26
CZ 8L	N50100023	800 - 8000	50 - 100	362	524	89	114	143	129	25	42	32
CZ 10	N50100024	1000 - 10000	0 - 50	293	545	110	95	143	139	25	45	30
CZ 10L	N50100025	1000 - 10000	50 - 100	362	545	110	114	143	139	25	45	37
CZ 15	N50100015	1500 - 15000	0 - 50	360	613	130	125	162	204	45	55	75
CZ 15L	N50100016	1500 - 15000	50 - 100	460	678	130	175	162	204	45	55	88
CZ 20	N50100017	2000 - 20000	0 - 65	462	755	130	165	210	235	45	65	123
CZ 20L	N50100018	2000 - 20000	65 - 130	560	805	130	195	210	235	45	65	136
CZ 30	N50100019	3000 - 30000	0 - 65	462	732	60	165	210	295	65	-	195
CZ 30L	N50100020	3000 - 30000	65 - 130	560	797	60	195	210	295	65	-	295

PLEASE NOTE: Units are supplied as standard with a hook ring. Link fitting and chain are available on request as a special order except CZ30/L which is supplied with the link as standard. \*Per clamp \*\*Weight per clamp with hook ring / Standard length of chain = 4-6 links



Hinged hook ring



## CY Hinged vertical plate clamps

Working load limit (WLL) 100 - 3000 kg

The CY plate clamps with hinged hook rings can be used for the safe handling of plate at various angles. It can lift plate from the horizontal and put it down in the vertical. The hinged hook ring ensures adequate gripping pressure in every position, but the load capacity reduces. See the diagram below showing the load / force capacities.

The main benefit of the CY hinged plate clamps is that longer plates can be lifted or handled, using two clamps on a two legged chain sling, thus eliminating the need for a spreader beam.

### Workmanship and parts

These plate clamps are service-friendly, making it easy to exchange parts, which are readily available. Clamp repairs must be done by a trained person.

Product group: I2

## INFO

The plate surface of the material being clamped must have a hardness level below HRC 30/Brinell 300.

Must be used in pairs

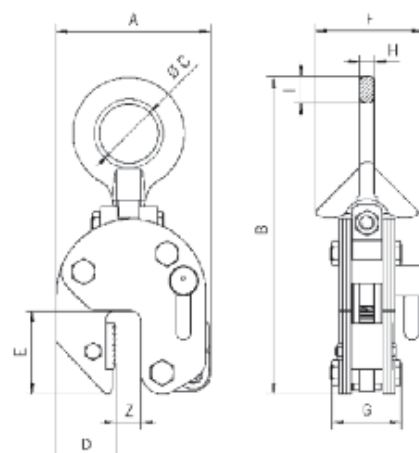
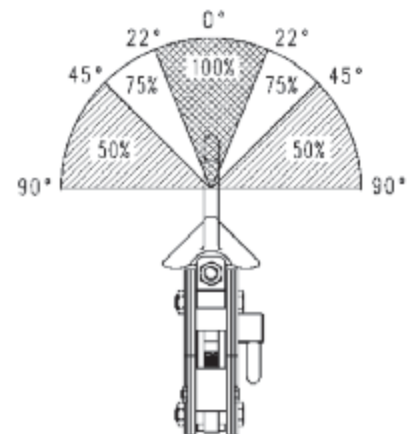
### Technical data CY

Model	Art.-No.	*WLL kg	Jaw capacity Z mm	*Weight kg
CY1	N50200312	1000	0 - 20	4.6
CY2	N50200313	2000	0 - 32	14
CY3	N50200314	3000	0 - 32	14

\*Per clamp

### Dimensions CY

Model	CY1	CY2	CY3
A, mm	126	192	192
B, mm	270	382	382
Ø C, mm	50	80	80
D, mm	49	75	75
E, mm	70	96	96
F, mm	95	132	132
G, mm	63	92	92
H, mm	12	20	20
I, mm	23	30	30





## CX Hinged vertical plate clamps

Heavy duty - side loading

Working load limit (WLL) 150 - 10000 kg

The CX plate clamps share all the benefits of the CY clamps but are specifically designed for more heavy duty applications.

The other benefit that the CX clamp offers over the CY is that vertically racked plates can be turned through 90°.

### Workmanship and parts

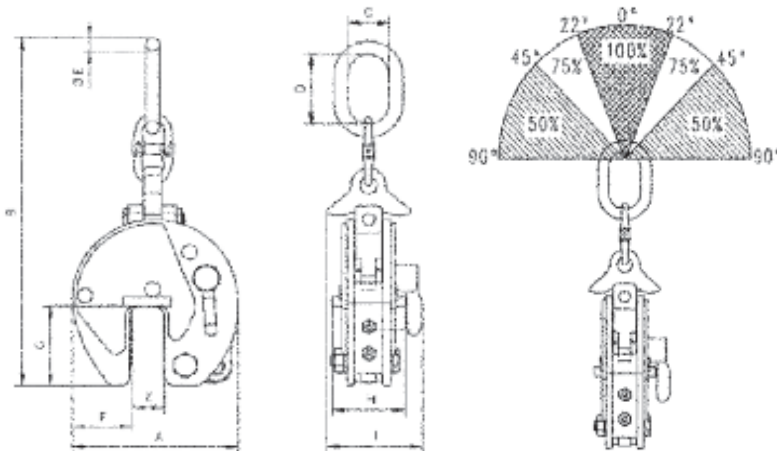
These plate clamps are service-friendly, making it easy to exchange parts, which are readily available. Clamp repairs must be done by a trained person.

Product group: I2



## INFO

The plate surface of the material being clamped must have a hardness level below HRC 30/Brinell 300.



### Technical data CX

Model	Art.-No.	*WLL kg	Jaw (Z) Capacity mm	A mm	B mm	C mm	D mm	E mm	F mm	G mm	H mm	I mm	*Weight kg
CX1500	N430000080	150 - 1500	0 - 20	140	399	63	125	12.5	48	70	57	83	7
CX3000	N430000082	300 - 3000	0 - 32	197	515	67	138	19	68	93	81	110	12
CX3000L	N430000083	300 - 3000	30 - 60	227	515	67	138	19	68	93	81	110	15
CX6000	N50200305	600 - 6000	0 - 50	292	737	95	176	28	95	143	137	188	38
CX6000L	N50200306	600 - 6000	50 - 100	367	785	98	180	28	115	143	135	188	48
CX8000	N50200307	800 - 8000	0 - 50	292	737	98	176	28	95	143	136	210	39
CX8000L	N50200310	800 - 8000	50 - 100	367	785	98	180	28	115	143	136	210	51
CX10000	N50200308	1000 - 10000	0 - 50	360	903	110	195	33	125	162	170	223	61
CX10000L	N50200311	1000 - 10000	50 - 100	446	921	112	195	33	168	162	170	223	76

\*Per clamp



## HG High grip vertical plate clamps

Working load limit (WLL) 25 - 500 kg

The HG plate clamp has an extremely high clamping force which makes the clamp particularly suited to the transport of a plate with a surface hardness up to HRC 40/Brinell 375.

### Function

This clamp is opened and closed with a locking lever. The safety lock spring loads the cam jaw, preventing the clamp from opening even when there is no load on the jaw.

### Workmanship and parts

These plate clamps are service-friendly, making it easy to exchange parts, which are readily available. Clamp repairs must be done by a trained person.

Product group: I2

## INFO

The min. load is 5% of the nominal WLL!

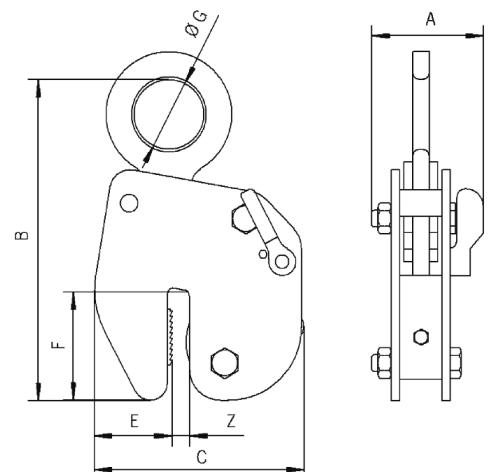
### Technical data HG

Model	Art.-No.	*WLL kg	Jaw (Z) Capacity mm	*Weight kg
HG500	N4300000175	25 - 500	0 - 10	5

\*Per clamp

### Dimensions HG

Model	HG500
A, mm	42
B, mm	230
C, mm	148
D, mm	10
E, mm	55
F, mm	79
G, mm	50



## TJC Twin jaw vertical plate clamps

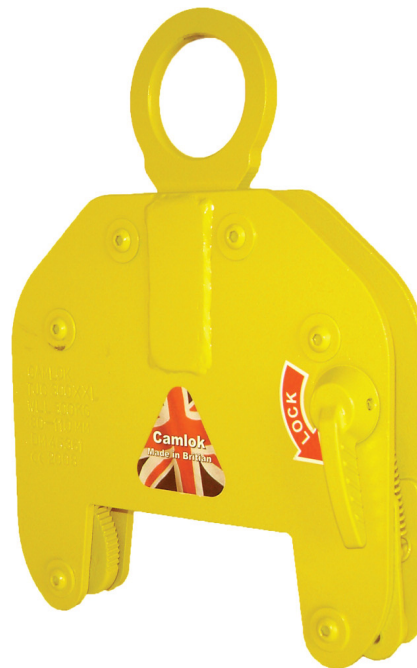
Working load limit (WLL) 10 - 300 kg

The TJC twin jaw vertical plate clamps have been specifically designed for lifting materials with low minimum weight but large thickness. The main difference between the TJC and the 92 Series (which is our standard vertical plate clamp) is that the TJC has a unique twin moving jaw arrangement.

### Workmanship and parts

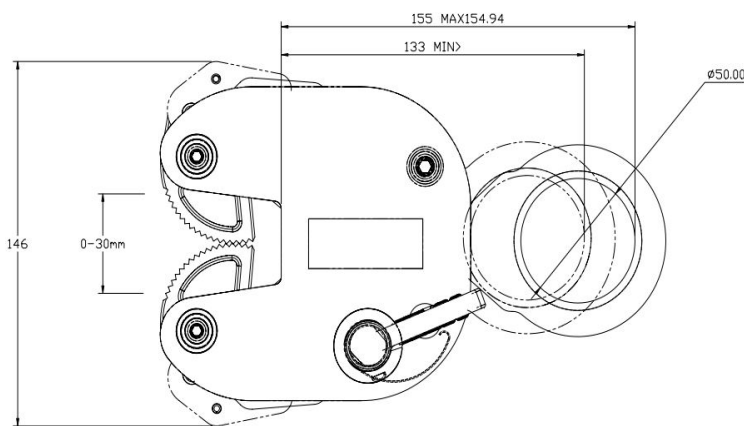
These plate clamps are service-friendly, making it easy to exchange parts, which are readily available. Clamp repairs must be done by a trained person.

Product group: I2

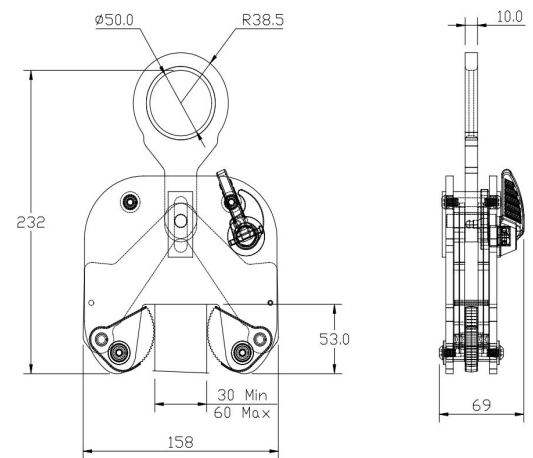


## INFO

The plate surface of the material being clamped must have a hardness level below HRC 30/Brinell 300.



TJC300



TJC300L

### Technical data TJC

Model	Art.-No.	*WLL kg	Jaw (Z) Capacity mm	*Weight kg
TJC300	N4300000354	10 - 300	0 - 30	3
TJC300L	N4300000355	10 - 300	30 - 60	3

\*Per clamp



Quick open lever



TWG modified side plates for use in confined spaces (e.g. lathe machine).

## TAG Wide jaw vertical clamps

Working load limit (WLL) 350 - 5000 kg

## TWG Modified side plates

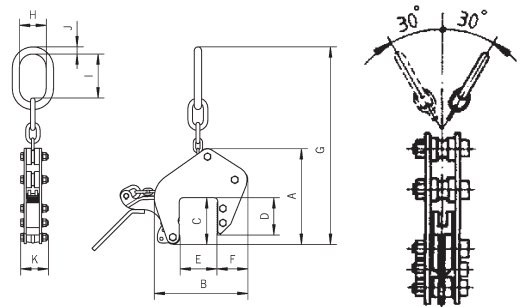
Working load limit (WLL) 750 - 1250 kg

The TAG vertical clamps are extremely versatile. They have a large jaw capacity that enables them to be used on a multitude of applications such as loading machine tools, steel constructions, welding and numerous assembly functions. The design means that they do not require additional chain slings and are very easy and simple to use.

The automatic gripping force is retained by a positive tension jaw spring, even if there is slack in the chain. The clamps are also fitted with a 'Quick-Open' lever for ease of loading and unloading.

The TWG vertical grab (shown left) is a variation of the TAG. It is specially designed with a small outside measurement for use on hard to reach places such as loading billets on to a lathe etc.

Product group: I2



## Technical data TAG/TWG

Model	Art.-No.	*WLL kg	Jaw (Z) Capacity mm	A mm	B mm	C mm	D mm	E mm	F mm	G mm	H mm	I mm	J mm	K mm	*Weight kg
TAG750/100	N50300803	75 - 750	0 - 100	264	259	128	100	100	85	550	75	121	20	83	9
TAG750/200	N50300804	75 - 750	90 - 200	382	434	195	156	200	120	760	75	121	20	90	15
TAG1250/100	N50300805	125 - 1250	0 - 100	320	289	128	100	100	85	570	75	121	20	83	15
TAG1250/200	N50300806	125 - 1250	90 - 200	382	434	195	156	200	120	760	75	121	20	90	26
TAG2000/100	N50300807	200 - 2000	0 - 100	328	415	135	115	100	105	571	75	121	20	105	22
TAG2000/200	N50300808	200 - 2000	90 - 200	375	515	195	165	200	160	750	75	121	20	105	30
TAG3000/90	N50300809	300 - 3000	5 - 90	297	290	136	106	90	91	570	82	111	32	137	25.5
TAG5000/90	N50300810	500 - 5000	5 - 90	297	290	136	106	90	91	570	82	111	32	147	30
TWG750/100	N50300821	75 - 750	30 - 100	264	209	128	100	100	35	550	75	121	20	83	11
TWG750/200	N4300003549	75 - 750	100 - 200	382	354	195	156	200	40	760	75	121	20	90	16
TWG1250/100	N50300822	125 - 1250	30 - 100	320	255	128	100	100	51	570	75	121	20	83	16
TWG1250/200	N50300824	125 - 1250	100 - 200	382	374	195	156	200	60	760	75	121	20	90	23

\*Per clamp

## LJ Non-marking plate clamps

Working load limit (WLL) 25 - 1500 kg

The LJ non-marking plate clamps are designed for lifting, turning, and transporting of structural steel plates, stainless steel, iron, timber and aluminium without marking, damaging or leaving indentations on the surface. It can also be used for steel plates with extremely hard surfaces.

These clamps are available with two different types of pads, rubber or leather. The type to be used is dependant on the surface of the material being gripped. If you have any concerns regarding the best options for your application, please contact our sales team for advice.

### Workmanship and parts

These plate clamps are service-friendly, making it easy to exchange parts, which are readily available. Clamp repairs must be done by a trained person.

Product group: I2



## INFO

The surface of the material being gripped must be free of oil, grease or any other liquid to ensure safe transport.



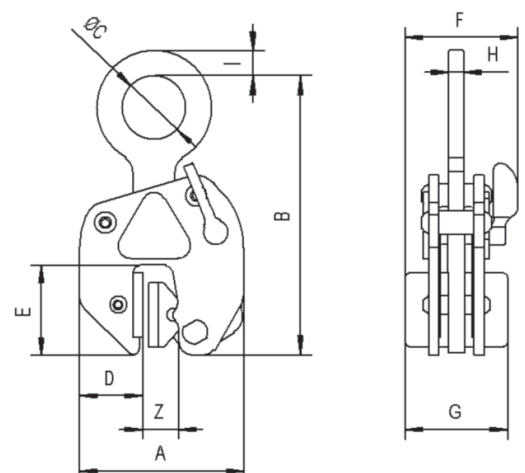
### Technical data LJ

Model	Art.-No.	*WLL kg	Jaw capacity Z mm	*Weight kg
LJ500 (leather)	N4300000185	25 - 500	0 - 10	3.5
LJ1500 (leather)	N4300000182	150 - 1500	0 - 20	12
LJ500 (rubber)	N51502419	25 - 500	0 - 10	3.5
LJ1500 (rubber)	N51502420	150 - 1500	0 - 20	12

\*Per clamp

### Dimensions LJ

Model	LJ500	LJ1500
A, mm	127	215
B, mm	200	345
C, mm	50	85
D, mm	52	75
E, mm	69	135
F, mm	86.5	131
G, mm	76	118
H, mm	13	20
I, mm	20	24





## TSB Non-marking friction plate clamps

Working load limit (WLL) 40 - 1250 kg

The TSB non-marking plate clamps with chain are designed for vertical lifting and transporting of plate material. This particular range of clamps has a large jaw capacity that enables it to be used on a multitude of applications.

The main feature of the TSB plate clamps is the fact that it is non-marking. It works through the process of friction, which is achieved by a special material on the jaw and pad which is similar to brake linings.

Another benefit of the TSB, is that one grab can be used for lifting different materials such as concrete, wood, stone, and hardened steel.

### Workmanship and parts

These plate clamps are service-friendly, making it easy to exchange parts, which are readily available. Clamp repairs must be done by a trained person.

Product group: I2

## INFO

The surface of the material being gripped must be free of oil, grease or any other liquid to ensure safe transport.

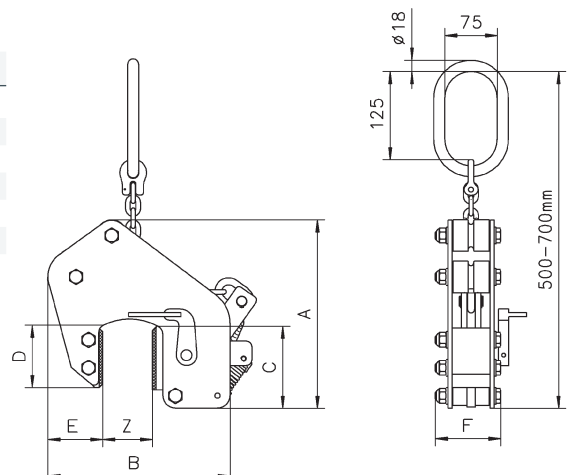
### Technical data TSB

Model	Art.-No.	*WLL kg	Jaw capacity Z mm	*Weight kg
TSB750/65	N51202202	40 - 750	0 - 65	9
TSB1250/65	N51202203	125 - 1250	0 - 65	12

\*Per clamp

### Dimensions TSB

Model	TSB750/65	TSB1250/65
A, mm	270	270
B, mm	260	260
C, mm	128	128
D, mm	100	100
E, mm	65	65
F, mm	78	78



## CH Horizontal plate clamps

Industry standard horizontal plate clamps

Working load limit (WLL) 1000 - 10000 kg

The CH horizontal plate clamps have been specifically designed to be used in pairs for the transportation of plate bundles as well as single plates with a minimum thickness of 5mm.

A pair of clamps used with a two legged chain sling are suitable for small plates. It is recommended to use two pairs in conjunction with a spreader beam for handling larger plates. These units are supplied as standard with a smooth jaw. There is also the option of hardened steel serrated jaws for special applications.

### Workmanship and parts

These plate clamps are service-friendly, making it easy to exchange parts, which are readily available. Clamp repairs must be done by a trained person.

Product group: I2



\*\*\*CH with serrated jaw which can only be used for single plates, NOT bundles.

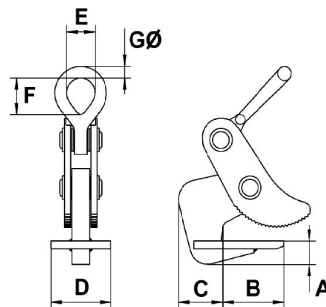
## INFO

These units must not be used with endless chain slings.

The angle between the chain legs must not exceed 45° from the vertical.

The capacity applies to a pair of lifting clamps.

Chain slings are not included.



### Technical data CH

Model	Art.-No.	*WLL kg	Jaw (Z) Capacity mm	A mm	B mm	C mm	D mm	E mm	F mm	G mm	*Weight kg
CH1**	N4300000041	1000	5 - 32	30	82	60	100	32	44	13	8
CH2	N50501511	2000	5 - 32	30	82	60	100	50	73	18	11
CH2L	N4300000048	2000	20 - 50	30	82	60	100	50	73	18	12
CH4	N50501512	4000	5 - 50	40	112	80	100	64	92	25	17
CH4L	N4300000052	4000	50 - 100	40	112	80	100	64	92	25	23
CH6	N50501513	6000	5 - 75	55	172	100	130	90	130	35	46
CH6L	N4300000056	6000	50 - 125	55	172	100	130	90	130	35	56
CH8	N50501514	8000	5 - 75	55	172	105	130	90	130	35	53
CH8L	N4300000060	8000	50 - 125	55	172	105	130	90	130	35	60
CH10	N50501515	10000	5 - 100	65	215	120	150	114	114	37 x 50	95
CH10L	N50501516	10000	50 - 150	65	215	120	150	114	114	37 x 50	108
CH15	N4300012878	15000	5 - 100	71	230	120	150	114	114	37 x 50	110
CH15L	N4300012879	15000	50 - 150	71	230	120	150	114	114	37 x 50	123
CH20	N4300014489	20000	5 - 100	70	220	118	220	80	120	38 x 60	165
CH20L	N4300014491	20000	50 - 150	70	220	118	220	80	120	38 x 60	172

\*Per pair

\*\*NB. CH1 is fitted with a single jaw.

\*\*\*Serrated jaw option is available on request as a special order



## RH/WH Horizontal plate clamps

Working load limit (WLL) 1500 - 5000 kg

This range of plate clamps have been designed to be used in pairs. For the horizontal transportation of individual and bundled plate. The RH clamps are fitted, as standard, with a steel roller to reduce any potential marking of the plate. The WH model is fitted with a serrated steel plate.

These clamps are sold and must be used in pairs. They should always be used with a two legged chain sling (not supplied).

### Workmanship and parts

These plate clamps are service-friendly, making it easy to exchange parts, which are readily available. Clamp repairs must be done by a trained person.

Product group: I2

## INFO

The angle from the vertical must not exceed 45°!

### Technical data RH/WH

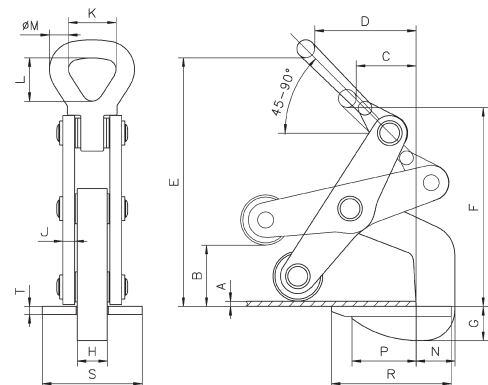
Model	Art.-No.	*WLL kg	Jaw capacity mm	**Weight kg
RH1500 with roller	N54509101	1500	5 - 60	5.6
RH2500 with roller	N54509102	2500	10 - 70	10.3
RH3500 with roller	N54509103	3500	10 - 80	13.4
RH5000 with roller	N54509104	5000	10 - 102	27.7
WH1500 with plate	N54509105	1500	5 - 60	5.7
WH3500 with plate	N54509107	3500	10 - 80	13.5

\*Per pair, angle from the vertical max. 45°

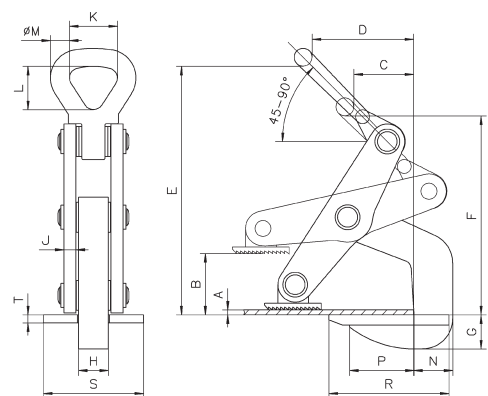
\*\*Per unit

### Dimensions RH/WH

Model	RH1500 with roller	RH2500 with roller	RH500 with roller	RH5000 with roller	WH1500 with plate	WH3500 with plate
A, mm	5	10	10	10	5	10
B, mm	60	70	80	102	60	80
C, mm	60	75	90	110	60	90
D, mm	105	130	162	170	105	162
E, mm	250	315	345	425	250	345
F, mm	200	275	292	345	200	292
G, mm	31	45	55	57	22	48
H, mm	30	30	30	45	30	30
J, mm	12	12	15	20	12	15
K, mm	50	64	64	89	50	64
L, mm	73	92	92	130	73	92
Ø M, mm	18	25	25	35	18	25
N, mm	36	58	65	80	36	65
P, mm	65	77	105	120	65	105
R, mm	120	150	185	210	120	185
S, mm	100	100	100	120	100	100
T, mm	10	10	10	12	10	10



RH with roller



WH with plate



## ACH Adjustable horizontal plate clamps

Working load limit (WLL) 1300 - 10000 kg

The ACH horizontal plate clamps offer superb flexibility because of the large adjustable jaw opening. The jaw is adjusted using a simple ratchet mechanism.

These clamps are to be used in pairs and are especially suited to the transportation of large plate bundles.

### Workmanship and parts

These plate clamps are service-friendly, making it easy to exchange parts, which are readily available. Clamp repairs must be done by a trained person.

Product group: I2

## INFO

The sling angle from the vertical must not exceed 45°!

The capacity applies to a pair of lifting clamps.

Use a spreader beam for larger plates.

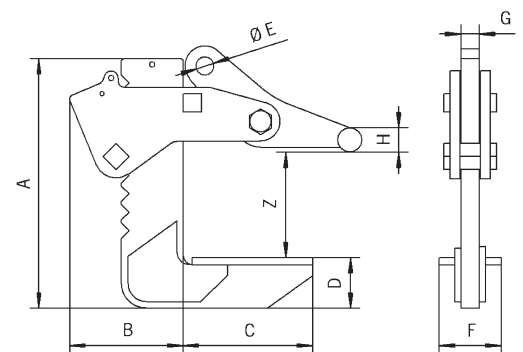
Chain slings and shackle are not included.



## Technical data ACH

Model	Art.-No.	*WLL kg	Jaw capacity Z mm	*Weight kg
ACH1.3L	N50601624	1300	0 - 250	17
ACH3.3L	N50601626	3300	0 - 250	28
ACH6.6L	N50601628	6650	0 - 250	64
ACH10.0	192065646	10000	50 - 300	90

\*Per pair, up to an angle of 45° from the vertical



## Dimensions ACH

Model	ACH1.3L	ACH3.3L	ACH6.6L	ACH10.0
A, mm	298	321	405	495
B, mm	122	130	185	210
C, mm	160	160	210	240
D, mm	41	50	82	100
Ø E, mm	20	23	30	40
F, mm	80	80	100	120
G, mm	20	25	30	50
Ø H, mm	25	25	40	40



## THK Thin sheet horizontal plate clamps

Working load limit (WLL) 40 - 9000 kg

The THK horizontal plate clamps share the same basic design features as the CH range of clamps but have a reversed tooth jaw design. This safety feature is designed for use with thin sheets which may have a tendency to deflect or sag or flex.

Suited to thin plate with a surface hardness less than 300 Brinell/32 Rockwell C

### Workmanship and parts

These plate clamps are service-friendly, making it easy to exchange parts, which are readily available. Clamp repairs must be done by a trained person.

Product group: I2

## INFO

The plate surface of the material being clamped must have a hardness level below HRC 30/Brinell 300.

The angle from the vertical must not exceed 30°!

Ideal clamp for thin sheets.

Shackles are not included.



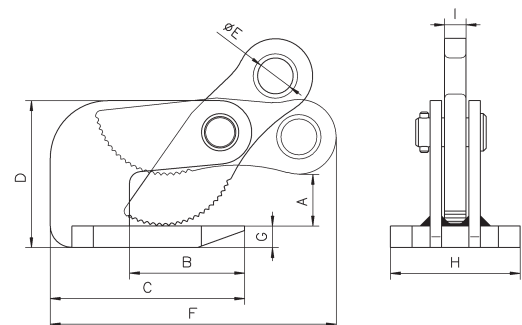
### Technical data THK

Model	Art.-No.	*WLL kg	Jaw capacity mm	*Weight kg
THK750	N50701751	40 - 750	0 - 25	3
THK1500	N50701752	75 - 1500	0 - 35	6
THK3000	N50701753	150 - 3000	0 - 35	11
THK4500	N50701754	250 - 4500	0 - 45	16
THK6000	N50701755	300 - 6000	0 - 60	23
THK9000	N50701756	450 - 9000	0 - 60	35

\*Per pair, angle from the vertical max. 30°

### Dimensions THK

Model	THK750	THK1500	THK3000	THK4500	THK6000	THK9000
A, mm	25	36	38	48	63	65
B, mm	72	80	93	103	124	113
C, mm	118	135	168	183	214	223
D, mm	81	102	119	140	176	188
Ø E, mm	20	25	30	30	35	40
F, mm	161	198	227	238	284	317
G, mm	12	15	20	25	30	35
H, mm	86	102	110	122	110	148
I, mm	12	15	20	20	20	20



## THS Loading horizontal plate clamps

Working load limit (WLL) 750 - 1500 kg

The THS horizontal plate clamps are specifically designed to be used when loading plate horizontally into presses, shears, guillotines and other industrial machines or where the CH clamps are not suitable.

The unique design of the THS allows them to be used individually when loading plate. However, when transporting plate horizontally the THS clamps should be used in pairs.

Other features of this clamp include a spring loaded safety lock that ensures the clamp remains on the plate in the unloaded position prior to lifting. Maximum plate surface hardness 300 Brinell / 32 Rockwell C.

### Workmanship and parts

These plate clamps are service-friendly, making it easy to exchange parts, which are readily available. Clamp repairs must be done by a trained person.

Product group: I2

## INFO

When used in pairs the angle from the vertical must not exceed 30°!



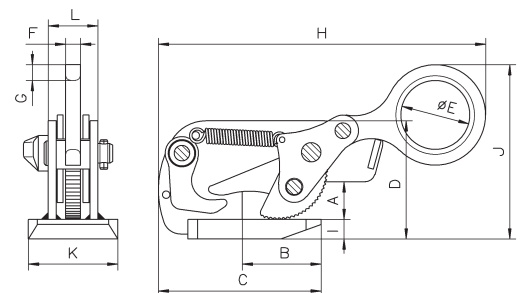
## Technical data THS

Model	Art.-No.	*WLL kg	Jaw capacity mm	*Weight kg
THS750	N50801851	750	0 - 20	3.2
THS1500	N50801852	1500	0 - 35	6.1

\*Per clamp

## Dimensions THS

Model	THS750	THS1500
A, mm	30	38
B, mm	70	80
C, mm	130	165
D, mm	97	120
∅ E, mm	50	70
F, mm	12	15
G, mm	15	17
H, mm	255	335
I, mm	15	20
J, mm	135	165
K, mm	80	90
L, mm	40	50





### CG Standard girder turning clamps

Working load limit (WLL) 100 - 2000 kg

The main purpose of the CG girder turning clamps are for the transportation and turning of steel girders (RSJ) through 90°.

They can be used individually or for longer beams used in pairs in conjunction with a spreader beam.

The clamps are attached to the horizontal flange of the girder and locked in place by the jaw locking lever. Once lifted the girder will turn through 90°.

#### Workmanship and parts

These plate clamps are service-friendly, making it easy to exchange parts, which are readily available. Clamp repairs must be done by a trained person.

Product group: I2

### INFO

For longer girders use two clamps and a lifting beam.

#### Technical data CG

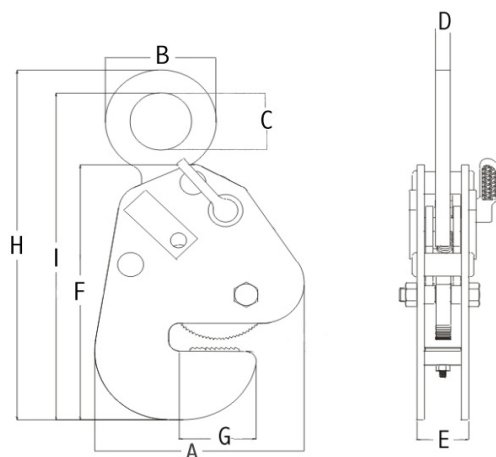
Model	Art.-No.	*WLL kg	Jaw Capacity mm	*Weight kg
CG1	N4300000036	100 - 1000	0 - 16	6
CG2	N4300000037	200 - 2000	0 - 32	14

Please contact our sales team for full technical drawings if required.

\*Per clamp

#### Dimensions CG

Model	CG1	CG2
A, mm	211	290
B, mm	90	140
C, mm	50	80
D, mm	13	20
E, mm	43	60
F, mm	263	317
G, mm	64	100
H, mm	350	465
I, mm	337	435



## TTR Girder grab for vertical transport

Working load limit (WLL) 50 - 3000 kg

The main selling point of the TTR girder stacking clamps is the fact that it enables girders to be transported and stacked horizontally. These are ideal for use by steel stockholders and steel fabricators. Once offered up to the vertical flange of the girder, they are locked in place by the jaw locking lever.

The design allows the clamp to be used individually, however for longer girders they should be used in pairs in conjunction with a spreader beam.

### Workmanship and parts

These plate clamps are service-friendly, making it easy to exchange parts, which are readily available. Clamp repairs must be done by a trained person.

Product group: I2



## INFO

When transporting long girders, it is recommended to use a pair of clamps in conjunction with a spreader beam.

The hook ring must always be facing towards the centre of the beam.



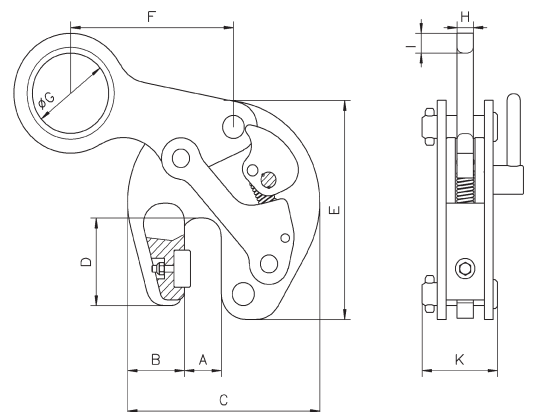
## Technical data TTR

Model	Art.-No.	*WLL kg	Jaw capacity mm	*Weight kg
TTR 750	N51702551	50 - 750	5 - 16	3.5
TTR 1500	N51702552	150 - 1500	5 - 25	10
TTR 3000	N51702553	300 - 3000	5 - 28	12

\*Per clamp

## Dimensions TTR

Model	TTR750	TTR1500	TTR3000
A, mm	24	33	37
B, mm	40	53	56
C, mm	132	176	194
D, mm	62	76	78
E, mm	145	190	208
F, mm	118	152	163
Ø G, mm	50	70	80
H, mm	12	15	20
I, mm	12	17	23
K, mm	53	69	85





## TTG Girder grab for horizontal transport

**Working load limit (WLL) 25 - 7500 kg**

The TTG girder clamps are designed for transporting girders in the 'I' configuration / position (see photograph on the left).

These are ideal for use by steel stockholders and steel fabricators. Once offered up to the horizontal flange of the girder they are locked in place by the jaw locking lever.

The design allows the clamp to be used individually, however for longer girders they should be used in pairs in conjunction with a spreader beam.

### Workmanship and parts

These plate clamps are service-friendly, making it easy to exchange parts, which are readily available. Clamp repairs must be done by a trained person.

Product group: I2

## INFO

When transporting long girders, it is recommended to use a pair of clamps in conjunction with a spreader beam.

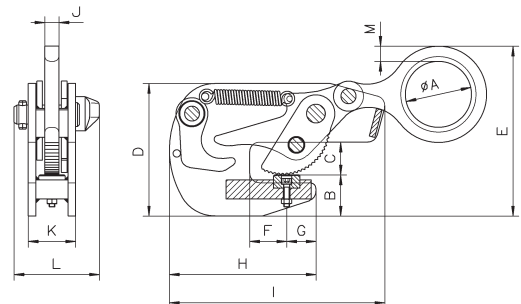
### Technical data TTG

Model	Art.-No.	*WLL kg	Jaw capacity mm	*Weight kg
TTG500	N50901950	25 - 500	0 - 20	2.9
TTG1500	N50901951	75 - 1500	0 - 30	6.8
TTG3000	N50901952	150 - 3000	0 - 35	11.3
TTG4500	N50901953	450 - 4500	0 - 40	14.8
TTG7500	N50901954	750 - 7500	0 - 45	30.0

\*Per clamp

### Dimensions TTG

Model	TTG500	TTG1500	TTG3000	TTG4500	TTG7500
Ø A, mm	50	70	80	90	110
B, mm	36	43	55	60	64
C, mm	25	35	42	46	55
D, mm	148	140	180	196	222
E, mm	200	180	214	248	304
F, mm	27	40	40	40	50
G, mm	20	30	32	35	42
H, mm	95	155	190	207	237
I, mm	110	230	284	314	367
J, mm	10	15	20	20	22
K, mm	56	50	60	64	90
L, mm	85	100	114	117	143
M, mm	13	16	20	25	30



## TTT Horizontal girder clamps

Split toe plate

Working load limit (WLL) 750 - 4500 kg

The TTT horizontal girder clamps have been designed to be used in pairs and can be used on girders up to a surface hardness of HRC 30/Brinell 300.

The unique design of the split toe allows long sections of girders to be fitted without the use of a spreader beam.

### Workmanship and parts

These plate clamps are service-friendly, making it easy to exchange parts, which are readily available. Clamp repairs must be done by a trained person.

Product group: I2



## INFO

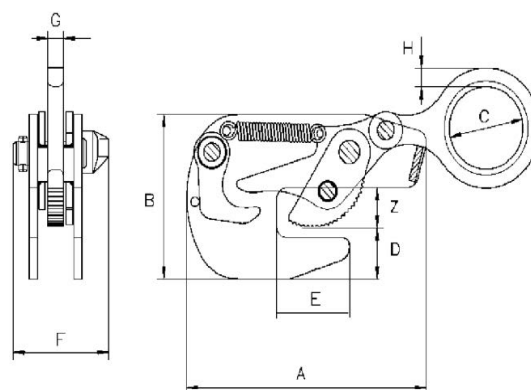
These clamps are to be used in pairs with a 2-legged chain sling.



### Technical data TTT

Model	Art.-No.	*WLL kg	Jaw (Z) Capacity mm	*Weight kg
TTT0.75	N54509121	750	0 - 20	3
TTT1.5	N54509122	1500	0 - 35	6
TTT3.0	N54509123	3000	0 - 40	10
TTT4.5	N54509124	4500	0 - 45	16

\*Per clamp



### Dimensions TTT

Model	TTT0.75	TTT1.5	TTT3.0	TTT4.5
A, mm	225	225	225	225
B, mm	142	180	195	222
C, mm	70	80	84	105
D, mm	45	56	60	65
E, mm	70	70	75	90
F, mm	106	120	125	147
G, mm	16	19	19	22
H, mm	16	20	25	30



## CR Single rail clamps

Rail grab with safety lock

Working load limit (WLL) 1000 - 2000 kg

The CR rail clamps are designed to lift single rails securely and safely.

The clamps are designed to fit most types of rail section currently in use. The clamps have a narrow profile to enable attachment to an individual rail when rails are side by side.

The clamps are locked onto the rail-head via a lever operated spring mechanism. It is recommended to use clamps suspended from a lifting beam for long rail lengths.

Clamps can be supplied with a short length of chain and lifting eye. This must be specified at the time of order.

Product group: I2

## INFO

For special sizes please advise rail section and profile.



Typical application shots above showing a CR1000 in use with a Yale D85 Pul-lift and an 'Ironman' or left attached to YaleErgo 360 Ratchet Lever Hoist



## Technical data CR

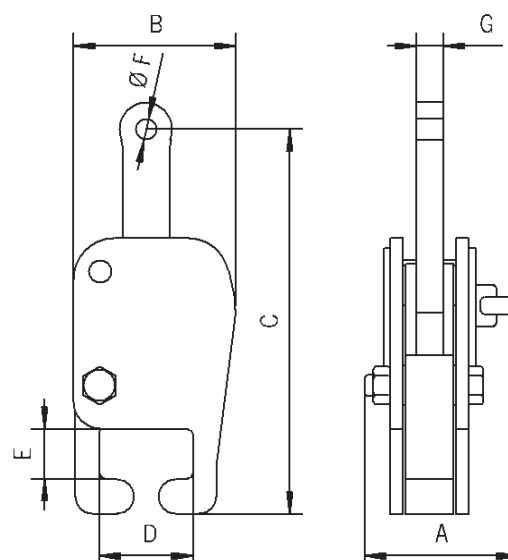
Model	Art.-No.	Number of rails	*WLL kg	*Weight kg
CR1000 (std)	N51402351	1	1000	13
CR2000 (std)	N51402352	1	2000	15
CR1000 (with chain)	N430000073	1	1000	16
CR2000 (with chain)	N430000075	1	2000	18

\*Per clamp

## Dimensions CR

Model	CR1000	CR2000
A <sup>1</sup> , mm	144	144
B, mm	152	163
C, mm	350	350
D, mm	90	90
E, mm	46	46
Ø F, mm	20	20
G, mm	25	25

<sup>1</sup>Scissor dimensions





## MR Fixed multi-rail grabs

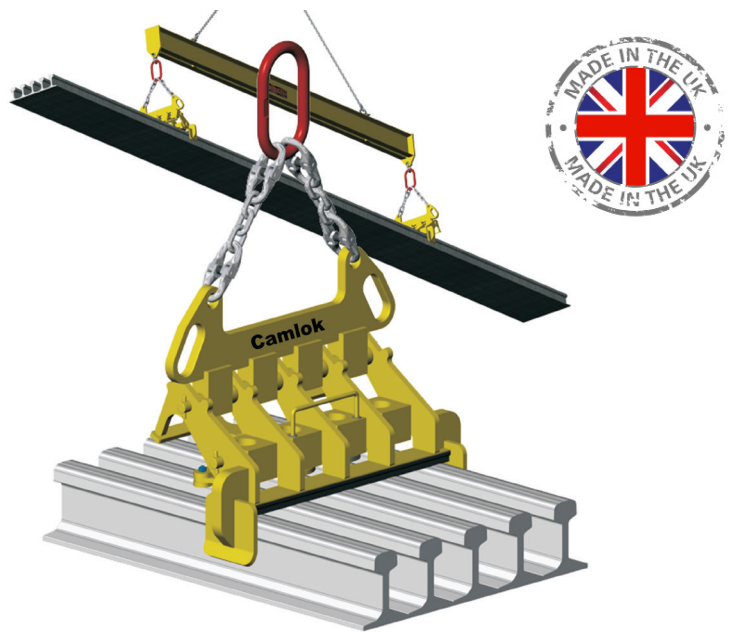
Working load limit (WLL) 5000 - 8000 kg

The MR Multi-rail grabs have been designed to facilitate the fast bulk handling of a specific rail section (details to be advised at time of order).

The grabs are locked onto the rails by swivelling toes that locate under the rail-head and top clamp body that rotates in a cam action, pressing a hard rubber lined horizontal beam onto the top of the rail-head. The rubber lined contact beam prevents marking or damage.

Two clamps are recommended at centres of 50% to 60% of rail length for rails up to 20 mtr long. For rails longer than 20 mtr., three clamps at centre distance between outer clamps of 65% to 75% of rail length must be used. (NB. Clamps must be within rated WLL).

Rails to be lifted must be stacked with bottom flange toes touching. All rails must be of the same rail section size.



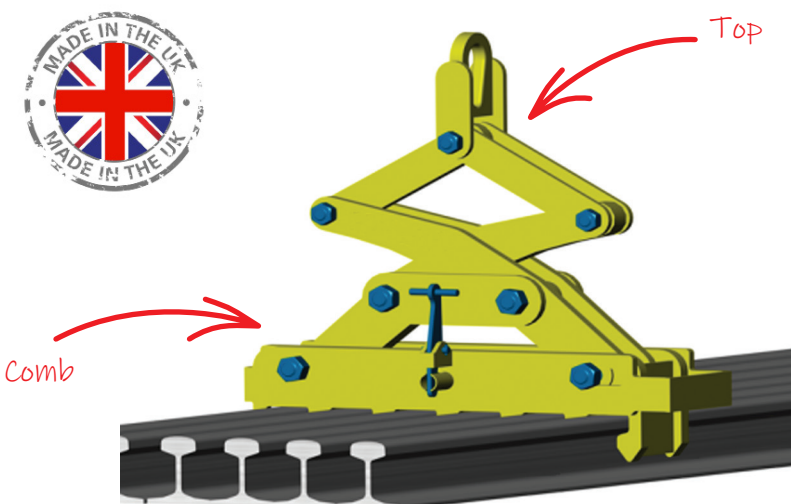
Product group: I3

### Technical data MR

Model	Number of rails	*WLL kg	*Weight kg
MR3	3	5000	84
MR4	4	5000	108
MR5	5	5000	132
MR6	6	6000	156
MR7	7	7000	180
MR8	8	8000	204

Please advise rail section when ordering.

\*Per grab



## MRC Interchangeable multi-rail grabs

Working load limit (WLL) 5000 - 8000 kg

The MRC Multi-rail grabs have been designed to facilitate the fast bulk handling of rail sections.

The features and applications of the MRC Multi-rail grabs are similar to that of the MR Multi-rail grabs but with the added benefit of having interchangeable, modular designed comb sections. Various comb sections to suit specific rails can be combined with the same scissor mechanism. additional comb sections can be purchased separately.

A further option on the MRC is that it can be fitted with an automatic open/close device that engages the rail sections when the clamp is lifted from the rest position.

Product group: I3

### Technical data MRC

Model	Number of rails	WLL kg	Weight kg
MRC4	4	5000	200
MRC5	5	5000	230
MRC6	6	6000	265
MRC7	7	7000	295
MRC8	8	8000	330



CLB



CLT



Container lifting lug CLB



Container lifting lug CLT

## CLB/CLT Container lifting lugs

Working load limit (WLL) 32000 - 56000 kg

These container lifting lugs are supplied, and used, in sets of 4. They have a total lifting capacity of up to 56 tonne. The CLB and CLT lugs serve as flexible lashing points for the transportation of containers.

Two types are available dependant upon where you want to fasten them; to the side or the top of the container.

The CLB model is mounted horizontally to the side of the container at either the top or the bottom fixing holes. This model has a spring loaded bolt to prevent accidental release.

The CLT type is vertically mounted in the hole at the top of the container and is locked into place by simply turning the lug 90°. This configuration allows for transportation via the use of a lifting frame in conjunction with cables, chains or slings.

Product group: I2

## INFO

Not to be used on a 4 leg chain sling.

Shackles not supplied.

Spare locking pins available for CLB

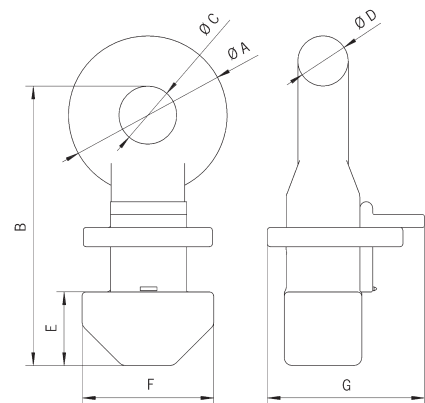
## Technical data CLB and CLT

Model	Art.-No.	*WLL kg	Type of lifting	Sling angle from vertical	*Weight kg
CLB	N53508014	32000	side	50°	20
CLB	N53508014	50000	side	vertical	20
CLT	N53508016	56000	top	vertical	32

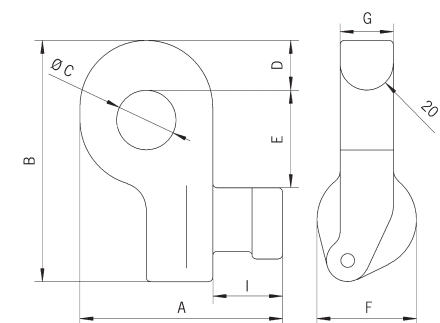
\*set of 4 pieces Spare lock pin: N4300004618

## Dimensions CLB and CLT

Model	CLB32000	CLB50000	CLT56000
A, mm	152	152	123
B, mm	181	181	217
Ø C, mm	45	45	45
D, mm	37	37	39
E, mm	73	73	57
F, mm	75	75	101
G, mm	40	40	121
I, mm	51	51	-



CLT



CLB

### PP Pile pulling clamps

Working load limit (WLL) 3000 - 8000 kg

The PP pile pulling clamps are designed to pull out driven piles or trench shielding. The clamps have a narrow opening and a deep slot to ensure that the pile is gripped firmly. It is extremely difficult to determine the forces required to pull out driven piles, so it is recommended that a load indicator is used to ensure the WLL of the clamp is not exceeded.

The PP clamp is supplied as standard with a double locking mechanism to ensure that the clamp remains locked on and cannot become unlocked during the extraction of the pile.

Product group: I2



### INFO

Shackles are not included on PP clamps.

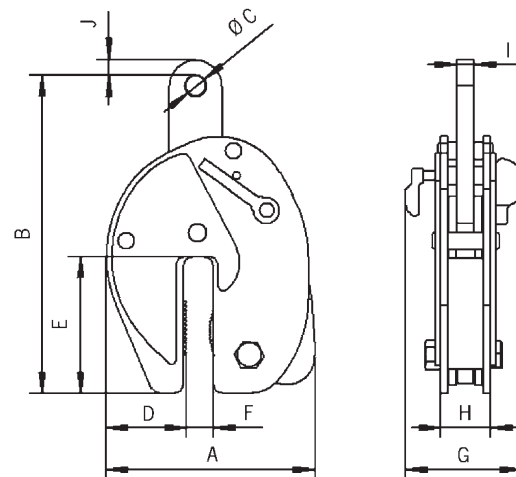


### Technical data PP

Model	Art.-No.	WLL kg	Jaw capacity mm	Throat depth mm	Weight kg
PP3	N51502418	3000	0 - 16	147	12
PP8	N51502416	8000	0 - 30	194	28

### Dimensions PP

Model	PP3	PP8
A, mm	224	294
B, mm	325	445
Ø C, mm	20	30
D, mm	88	109
E, mm	147	194
F, mm	25	42
G, mm	123	146
H, mm	60	72
I, mm	20	25
J, mm	18	26





**CP Pile pitching clamps**

Working load limit (WLL) 2000 - 5000 kg

The CP pile pitching clamps are specifically designed for pitching sheet steel piling. These clamps come fitted with a 15 metre length of rope which allows the clamp to be released from the ground. The clamp comes fitted as standard with a shackle.

Product group: I2



**INFO**

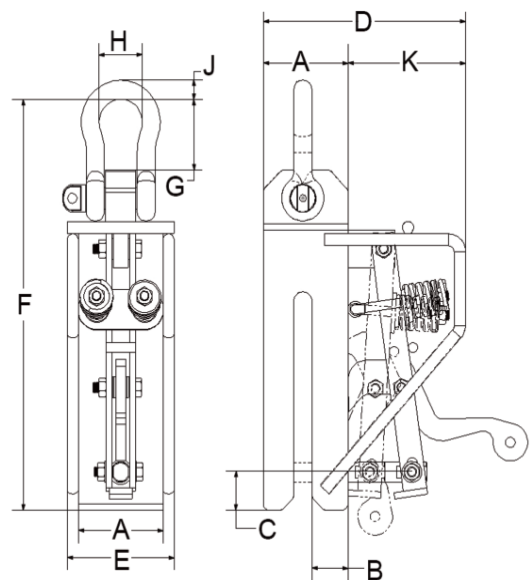
These clamps are not designed for extracting driven piles.

**Technical data CP**

Model	Art.-No.	WLL kg	Jaw width mm	Throat depth mm	Pin diameter mm	Weight kg
CP2	N4300000067	2000	20	228	20	19
CP3	N4300000068	3000	26	228	30	22
CP5	N4300000070	5000	35	228	30	28

**Dimensions CP**

Model	CP2	CP3	CP5
A, mm	90	100	115
B, mm	38	40	45
C, mm	38	38	38
D, mm	215	225	240
E, mm	114	124	139
F, mm	411	438	477
G, mm	71	91	117
H, mm	46	63	82
J, mm	19	25	32
K, mm	200	200	200



## BTG Concrete pipe lifting clamps

Working load limit (WLL) 1500 - 3000 kg

The BTG concrete pipe lifting clamps are sold in sets of three, and they come complete with a 3-legged chain sling (the working load limits shown are based on a set of three clamps).

They are designed for the vertical transportation of concrete pipe sections with a diameter of up to 2000mm.

Attachment and removal of the clamps from the pipes is extremely easy due to the simple and straightforward design.

### Features

- Solid design
- Safety factor 4:1
- Simple and safe handling
- Large jaw capacity
- For the toughest operating conditions

Product group: I4

## INFO

For concrete pipes according to DIN 4034.



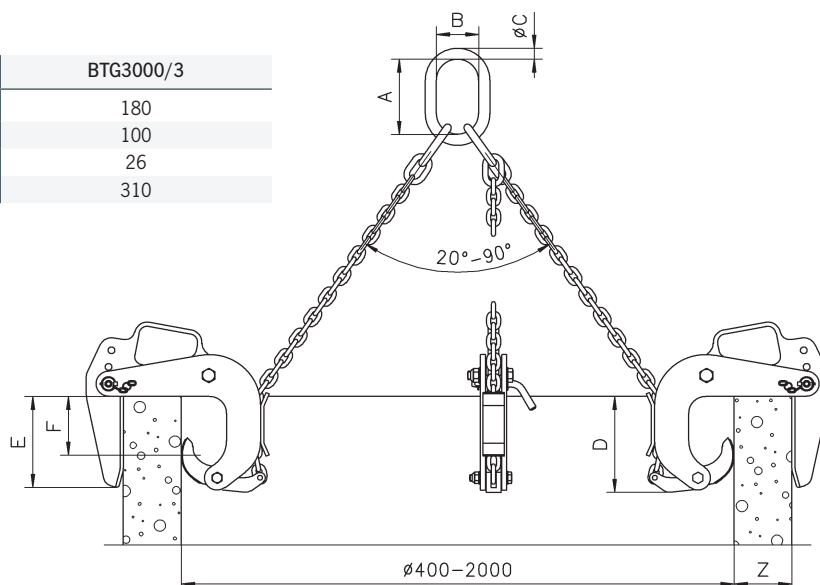
### Technical data BTG

Model	Art.-No.	*WLL kg	Jaw capacity Z mm	Mouth depth E mm	Pressure line F mm	Chain Ø mm	*Weight kg
BTG1500/3	N54609200	1500	40 - 120	165	100	6	34
BTG3000/3	N54609204	3000	50 - 180	245	175	10	60

\*Per lifting gear - three legged

### Dimensions BTG

Model	BTG1500/3	BTG3000/3
A, mm	135	180
B, mm	75	100
Ø C, mm	18	26
D, mm	180	310





### PH Pipe hooks

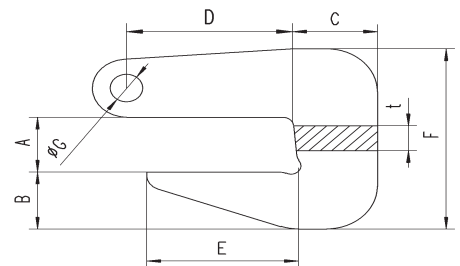
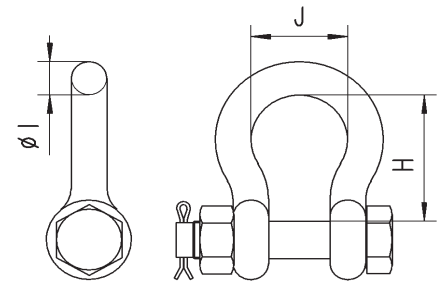
Working load limit (WLL) 2000 - 10000 kg

The PH pipe hooks are used in pairs for the safe transport of pipes.

Product group: I2

### INFO

The shackles are included with the hooks, but the chains are not supplied.



60° - 90° Chain top angle / 30° - 45° from vertical

Model	Art.-No.	*WLL kg	Pipe wall thickness kg	*Weight kg
PH2/A	N53508004	2000	0 - 40	2.4
PH4/A	N53508005	4000	0 - 50	5.6
PH6/A	N53508006	6000	0 - 60	8.3
PH8/A	192048192	8000	0 - 70	13.5
PH10/A	N53508008	10000	0 - 80	17.8

\*Per pair

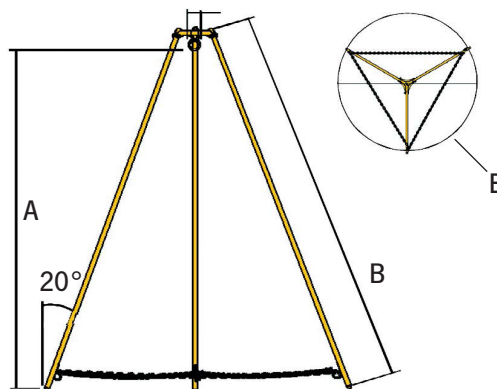
### SL Shearlegs

Working load limit (WLL) 500 - 3000 kg

The Camlok Shearlegs have been designed to be simple, easy to erect and operate. Each set of shearlegs are supplied fitted with safety chains and a large eyebolt for the suspension of hand operated lifting devices.

These shearlegs must not be used for lifting personnel.

Product group: I4



### Technical data SL

Model	Art.-No. standard (spike)	Art.-No. flat (rubber lined)	WLL kg	A mm	B mm	E mm	Weight kg
SL0.500/2	N430000262	N4300012471	500	2000	2254	1800	24
SL1000/2	N430000256	192034214	1000	2000	2276	1816	33
SL1000/3	N430000257	192059776	1000	3000	3340	2544	44
SL2000/3	N430000258	N4300015297	2000	3000	3366	2554	71
SL3000/3	N4300014414	N4300013638	3000	3000	3409	2730	88

## TPZ Board clamps

Working load limit (WLL) 20 - 750 kg

TPZ board clamps offer a simple and effective way to vertically lift and transport a variety of materials such as wood, MDF, plasterboard, stone, and plastics. The clamp has been designed with large rubber pads to minimise damage to loads and the handle enables the operator to guide the load easily during operation.

Product group: I2



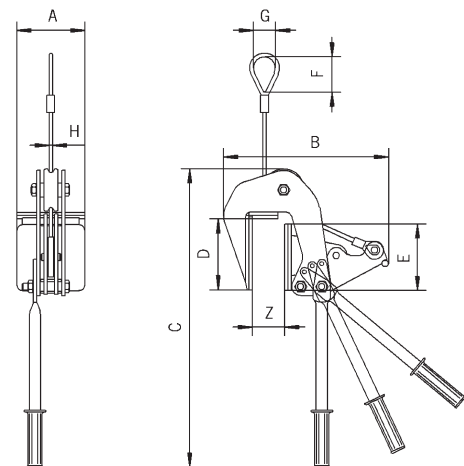
### Technical data TPZ

Model	Art.-No.	*WLL kg	Jaw capacity Z mm	*Weight kg
TPZ400	N56200001	20 - 400	5 - 50	8
TPZ400L	N56200002	20 - 400	50 - 100	9
TPZ750	N56200003	40 - 750	5 - 60	12
TPZ750L	N56200004	40 - 750	60 - 120	14

\*Per clamp

### Dimensions TPZ

Model	TPZ400	TPZ400L	TPZ750	TPZ750L
A, mm	120	120	155	155
B, mm	290	335	349	406
C, mm	525	525	545	560
D, mm	125	125	145	145
E, mm	117	117	135	135
F, mm	60	60	121	121
G, mm	40	40	75	75
H, mm	6	6	8 x 24	8 x 24



## TPM Permanent load lifting magnets

Working load limit (WLL)

100 - 3000 kg (Flat material)

50 - 1500 kg (Round material)

TPM load lifting magnets are ideal tools for easy, quick and thus economical transport of heavy objects made of ferro-magnetic material. Typical operating areas are workshops and warehouses, loading and unloading of machines as well as construction of jigs and fixtures.

Compact design of the units for a large number of applications.

The load is not affected mechanically which allows lifting of flat as well as round material. The efficient magnet body provides strong lifting capacity at low dead weight. The permanent magnets do not require electric energy and will leave only minor residual magnetism on the material after use.

The magnets are activated /deactivated easily by turning a locking lever. In activated condition the hand lever will be safely locked and thus prevent unintended demagnetising.

The selection of the appropriate magnet model should be made under consideration of the varying conditions of the contact surface, kind of material alloy and plate thickness /bar diameter (see table).

Product group: H4

## INFO

In order to achieve a maximum capacity, the contact surface should be bright and free from dirt, oil, grease, scale, corrosion, paint etc.

Maximum lifting capacity is achieved by using mild steels with the noted minimum thickness.

Mild steel st37 - Fe 360 to BS EN 10 025 1990 (DIN 17100).





## Technical data TPM

Model	Art.-No.	Flat material			Round material			Test load	Weight
		*WLL max. kg	Material thickness min. at max. capacity mm	Length of material max. mm	*WLL max. kg	Diameter min. - max. mm	Length of material max. mm		
TPM0.1	N56400001	100	14	2000	50	40 - 300	2000	300	5.3
TPM0.3	N56400002	300	20	2500	150	60 - 300	2500	900	13.5
TPM0.5	N56400003	500	24	3000	250	60 - 400	3000	1500	27.5
TPM0.8	N56400004	800	34	3500	400	60 - 400	3500	2400	52.0
TPM1.0	N56400005	1000	40	3500	500	80 - 400	3500	3000	57.0
TPM2.0	N56400006	2000	55	3500	1000	100 - 400	3500	6000	125.0
TPM3.0	192019927	3000	65	3500	1500	200 - 500	3500	9000	195.0

\* Measured on bright drawn material S235JR (ST 37), air gap <0,1 mm

## Dimensions TPM

Model	TPM0.1	TPM0.3	TPM0.5	TPM0.8	TPM1.0	TPM2.0	TPM3.0
A, mm	122	192	232	302	332	392	497
B, mm	69	95	120	154	154	196	220
C, mm	185	225	270	320	320	420	453
D, mm	160	250	250	450	450	450	600

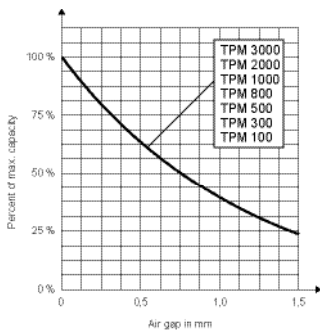


Diagram: WLL/air gap

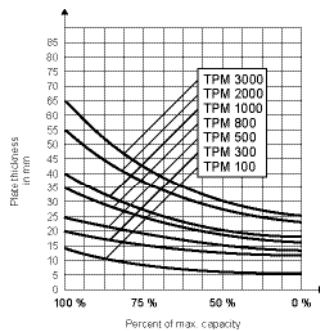
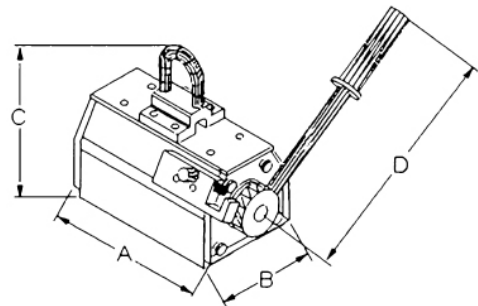
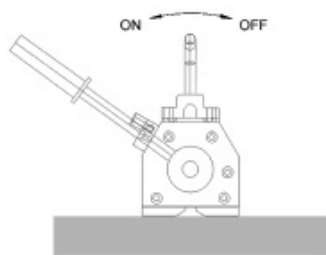


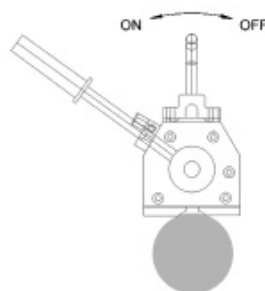
Diagram: WLL/material thickness



TPM



Correct use On/Off



Reduction of capacity	% of capacity
Temperature ≤ 60 °C	100 %
Humidity ≤ 80 %	100 %
St 52	95 %
Alloy steel	80 %
High carbon steel	70 %
Cast iron	45 %
Nickel	10 %
Austenitic, stainless steel	0 %
Brass	0 %
Aluminium	0 %





### TRU Round stock grabs

Working load limit (WLL) 100 - 4000 kg

The TRU roundstock grab picks up roundstock and pipe material up to 600 mm in diameter quickly and safely. With its optional protective lining, it can also pick up materials with sensitive surfaces.

Product group: I4

### INFO

For grabs fitted with a protective lining, it is important that all surfaces are dry, clean and free of oil and grease.

Shackle not supplied.



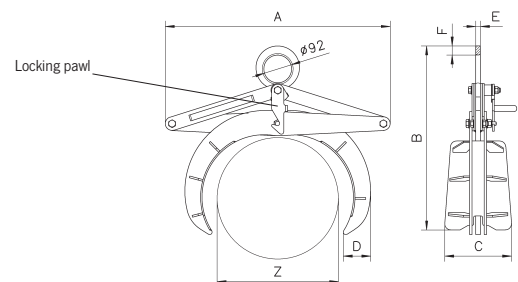
### Technical data TRU

Model	Art.-No. standard	Art.-No. with protective lining	*WLL kg	Jaw capacity mm	*Weight kg
TRU100	N51902711	N51902712	100	50 - 150	3.9
TRU500	N51902701	N51902706	500	35 - 200	13.6
TRU1000	N51902702	N51902707	1000	35 - 200	13.6
TRU1500	N51902703	N51902708	1500	80 - 300	27.0
TRU3000	N51902704	N51902709	3000	80 - 300	49.0
TRU4000	N51902705	N51902710	4000	200 - 600	208.0

\*NB: When fitted with rubber lining jaw capacity will be reduced by approx. 4 mm.

### Dimensions TRU

Model	TRU 100	TRU 500	TRU 1000	TRU 1500	TRU 3000	TRU 4000
A, mm	270	503	509	720	740	1420
B min., mm	292	417	437	520	582	930
B max., mm	458	723	745	937	960	1815
C, mm	97	150	178	204	220	318
D, mm	43	56	82	84	125	205
E, mm	8	15	15	20	20	30
F, mm	17	17	30	25	30	35



TPR Profile steel grabs

Working load limit (WLL) 500 - 3000 kg

The TPR steel grab is designed for transport of girders, profile steel, etc. It boasts a large jaw capacity, which makes it useful for various flange widths.

The clamping jaws press securely with a positive fit to the girder.

Product group: I4

INFO

Shackle not supplied.

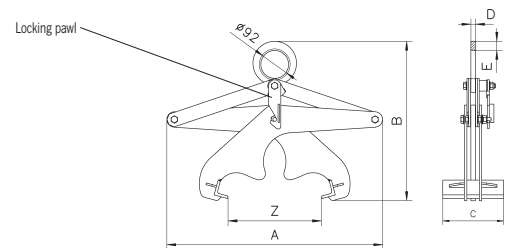


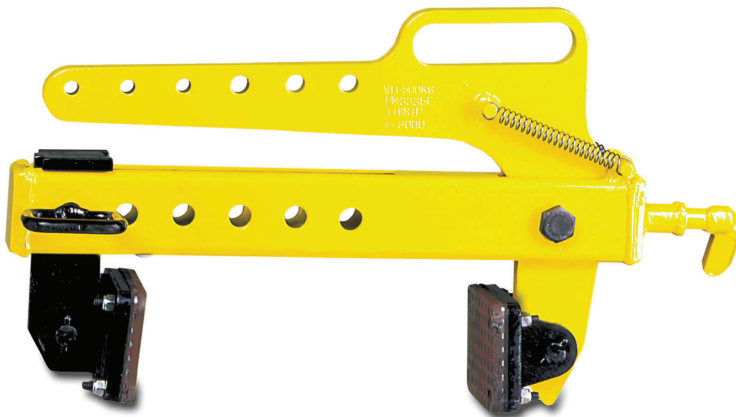
Technical data TPR

Model	Art.-No.	WLL kg	Jaw capacity mm	Weight kg
TPR500	N51802601	500	0 - 200	15
TPR1500	N51802602	1500	0 - 300	24
TPR3000	N51802603	3000	0 - 300	47

Dimensions TPR

Model	TPR 500	TPR 1500	TPR 3000
A, mm	510	710	720
B min., mm	390	495	525
B max., mm	625	830	920
C, mm	200	200	220
D, mm	15	15	20
E, mm	30	30	43





**TSA Light weight block grab**

**Working load limit (WLL) 250/500 kg**

The TSA block grab is useful for the transport of stone and concrete blocks and other materials with parallel surfaces. The grab has a protective lining to ensure a safe and non-marking transport.

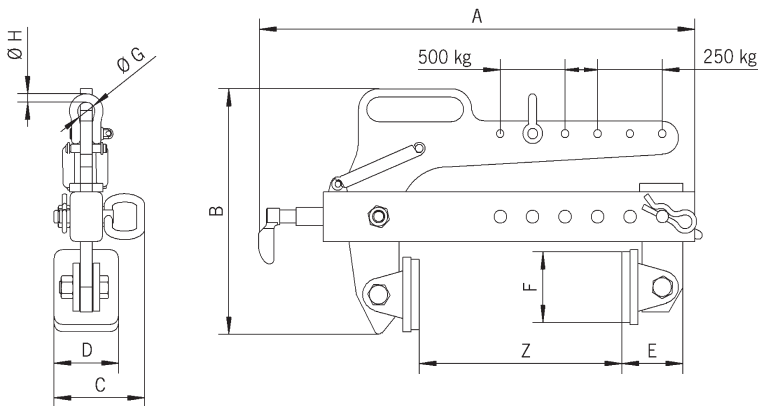
The clamping jaw is easily adjusted by means of the locking pin.

The centre of gravity is adjusted by the position of the shackle.

Product group: I4

**INFO**

It is important that the surfaces are dry, clean and free of oil and grease.



**Technical data TSA**

Model	Art.-No.	WLL kg	Jaw capacity mm	Weight kg
TSA500	N52625000	250/500	0 - 240	13.5

**Dimensions TSA**

Model	TSA500
A, mm	537
B, mm	296
C, mm	112
D, mm	80
E, mm	75
F, mm	85
Ø G, mm	22
Ø H, mm	10

TBG/TST Block grabs

Working load limit (WLL) 200 - 1000 kg

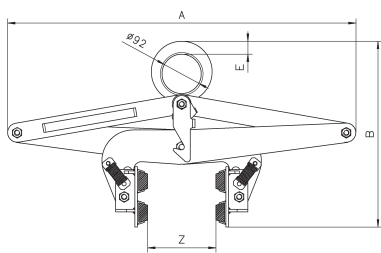
These block grabs are designed to transport any material with parallel surfaces that can withstand a clamping pressure twice as high as the weight of the load being lifted. The range offers jaw capacities from 0 - 1100mm. They are extremely easy and simple to use and make for safe lifting. The TBG has rubber lined jaws and the TST model has serrated steel jaws.

Product group: I4

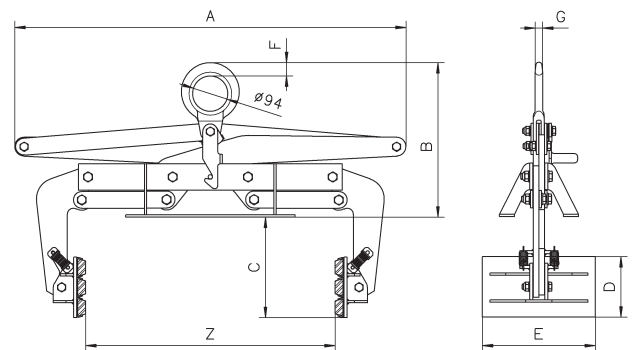


INFO

When using the models fitted with rubber protective lining, it is important that the surfaces are dry, clean and free of oil and grease.



Grab with small jaw capacity



Grab with large jaw capacity

Technical data

Model	Art.-No. TBG rubber lined	Art.-No. TST steel jaw	WLL kg	Jaw capacity mm	Weight kg
TBG/TST500S	N52604009	N4300000396	500	0 - 150	27
TBG/TST1000S	N52604010	N4300000392	1000	50 - 250	50
TBG/TST200L	N52604156	N4300000393	200	200 - 500	49
TBG/TST300L	N52604157	N4300000394	300	400 - 700	52
TBG/TST500L	N52604158	N4300000395	500	600 - 900	55
TBG/TST1000L	N52604159	N4300000391	1000	800 - 1100	72



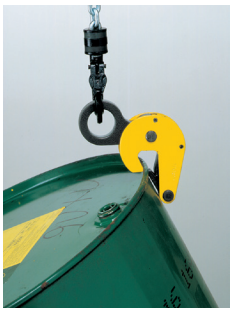
**DC500 Drum clamp**

Working load limit (WLL) 500 kg

The DC500 drum clamp has been designed to lift and transport steel drums. If moving empty or sealed drums, one clamp is sufficient. If lifting an open full drum, two clamps should be used with a two leg chain sling.

This clamp is extremely light weight and very quick and easy to use.

Product group: I2



**INFO**

For use with steel drums only

Chain slings are not supplied.



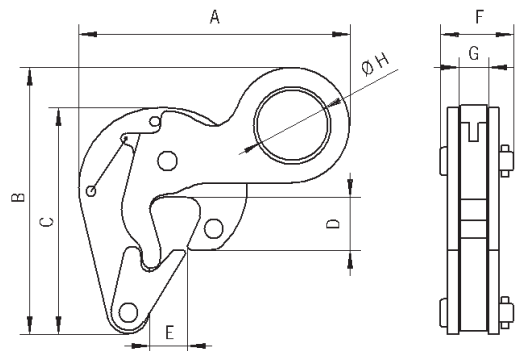
**Technical data DC500**

Model	Art.-No.	*WLL kg	*Weight kg
DC500	N52203456	500	1.2

\*Per clamp

**Dimensions DC500**

Model	DC500
A, mm	152
B, mm	150
C, mm	127
D, mm	30
E, mm	21
F, mm	41
G, mm	17
Ø H, mm	40



## DCV500 Vertical lift drum clamp

Working load limit (WLL) 500 kg

The DCV500 drum clamp has been designed to lift and transport steel drums in the vertical position. One clamp can be used to lift drums with or without their lids by gripping the rim of the drum.

Its light weight and small overall design makes it ideal for picking up drums that sit tightly on pallets. The centre of gravity of the drum is below the lifting point during transportation.

Product group: I2



## INFO

For use with steel drums only

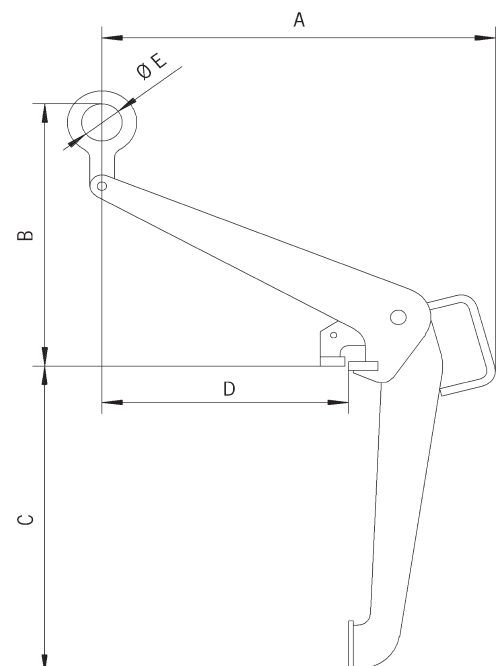


### Technical data DCV500

Model	Art.-No.	WLL kg	Weight kg
DCV500	N52203455	500	7

### Dimensions DCV500

Model	DCV500
A, mm	479
B, mm	350
C, mm	410
D, mm	300
Ø E, mm	50





## DBT300 drum grab

Working load limit (WLL) 300 kg

The DBT drum grab with tipping device has been designed for the transportation, lifting, placing down, turning over and emptying of barrels.

In order to tip the drums easily, they must be picked up at the correct centre of gravity.

Product group: I4

## INFO

This grab is designed for use with steel drums only.

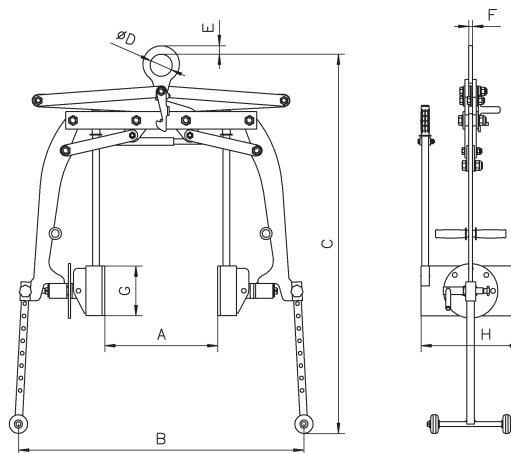


### Technical data DBT300

Model	Art.-No.	WLL kg	Jaw capacity Z diameter mm	Weight kg
DBT	N52203404	300	400 - 600	83

### Dimensions DBT

Model	DBT
A, mm	600
B, mm	1150
C, mm	1525
Ø D, mm	90
E, mm	34
F, mm	15
G, mm	200
H, mm	400





## DA/DAF low headroom drum grabs

Working load limit (WLL) 350 kg

The DA drum grab is designed for the vertical transportation of steel drums. The jaws grab under the lip of the drum with its form-fitting connection.

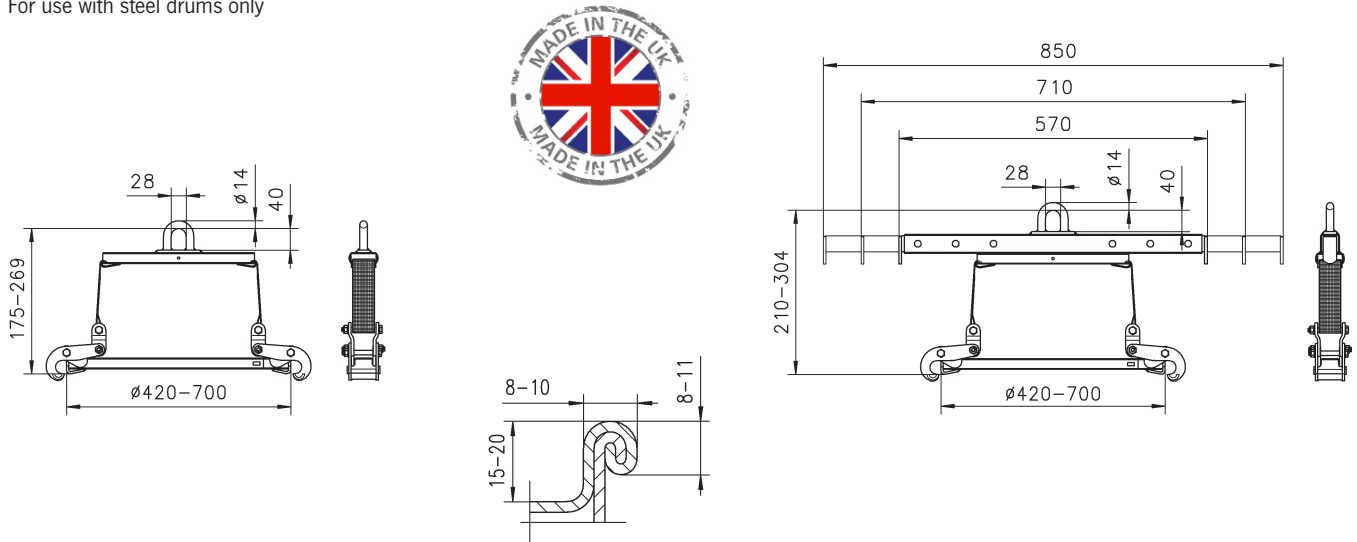
The DAF drum grab works on the same principle as the DA grab, but has the added benefit of adjustable arms that can be used with a forklift.

Product group: I2



## INFO

For use with steel drums only



Relevant barrel dimensions

## Technical data DA/DAF

Model	Art.-No.	WLL kg	Jaw capacity diameter mm	Weight kg
DA	N52303561	350	420 - 700	3.5
DAF	N52303562	350	420 - 700	6.0



### TSH Swivel hook screw clamps

Working load limit (WLL) 750 - 5000 kg

The TSH 'swivel hook' screw clamps is suitable for many applications. It is particularly useful for lifting and pulling sheet metal, girders, and steel constructions. The clamps are supplied complete with an alloy safety shackle that allows for pulling at 180° degrees.

Product group: I2

### INFO

The surface of the material to be lifted must not exceed a hardness level of HRC 50/Brinell 480.

Supplied with shackle.

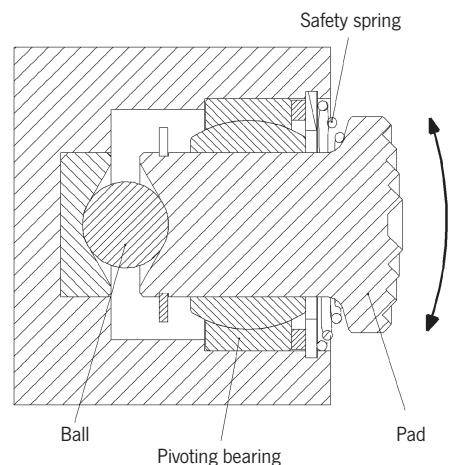
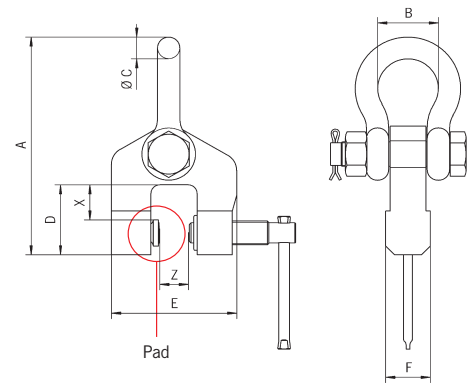
#### Technical data TSH

Model	Art.-No.	*WLL kg	Jaw capacity Z mm	*Weight kg
TSH750	N51502400	750	0 - 30	3.1
TSH1500	N51502401	1500	0 - 32	7.4
TSH3000	N51502402	3000	0 - 50	11.4
TSH5000	N51502403	5000	0 - 80	27.6

\*Per clamp

#### Dimensions TSH

Model	TSH750	TSH1500	TSH3000	TSH5000
A, mm	190	255	290	470
B, mm	52	65	74	130
Ø C, mm	19	26	30	50
D, mm	43	75	85	135
E, mm	113	130	170	225
F, mm	35	44	50	72
X, mm	15	40	40	50



Functional drawing pivoting pad

## TSZ Two way screw clamps

Working load limit (WLL) 500 - 7500 kg

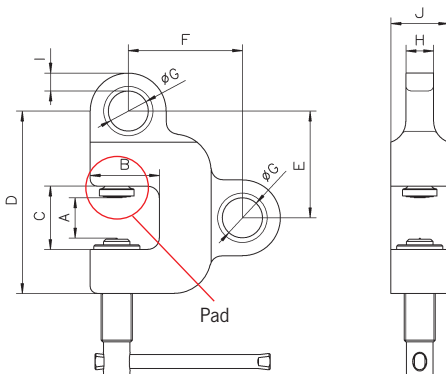
The TSZ 'two way' screw clamps offers many possible uses. Ideally suited for the construction industry. The unique design of the spindle makes it easy to attach to 'angle' plate. This is achieved by simply turning the handle which applies the pressure to the plate holding it securely. Two lifting points enable it to be pulled in two different directions.

Product group: I2

## INFO

The surface of the material to be lifted must not exceed a hardness level of HRC 50/Brinell 480.

Shackles are not supplied.



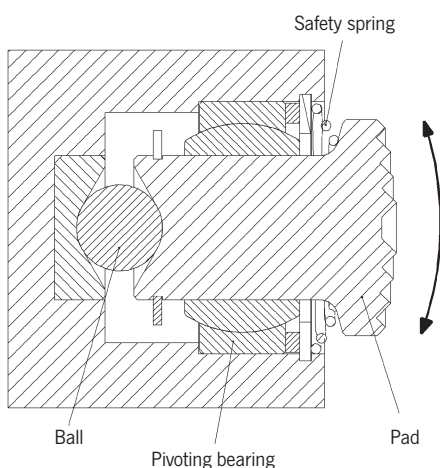
### Technical data TSZ

Model	Art.-No.	*WLL kg	Jaw capacity mm	*Weight kg
TSZ500	N51502410	500	0 - 28	2.3
TSZ1500	N51502411	1500	0 - 35	5.6
TSZ3000	N51502412	3000	0 - 35	8.8
TSZ5000	N51502413	5000	0 - 40	16.2
TSZ7500	N51502414	7500	0 - 40	20.9

\*Per clamp

### Dimensions TSZ

Model	TSZ500	TSZ1500	TSZ3000	TSZ5000	TSZ7500
A, mm	28	35	35	40	40
B, mm	43	60	67	85	92
C, mm	45	55	65	75	75
D, mm	125	158	195	230	240
E, mm	72	93	114	133	143
F, mm	83	99	120	150	162
Ø G, mm	26	35	46	55	65
H, mm	16	24	34	40	50
I, mm	12	16	17	18	23
J, mm	35	50	60	75	80



Functional drawing pivoting pad



## YC Standard beam clamps

Working load limit (WLL) 1000 - 10000 kg

The YC beam clamp provides a quick and versatile rigging point for hoisting equipment, pulley blocks or loads and comes complete with a locking device. The unit offers flexible applications, due to the wide adjustment range. The central threaded spindle allows easy attachment and a safe and secure grip to the beam flange.

Product group: C4

## INFO

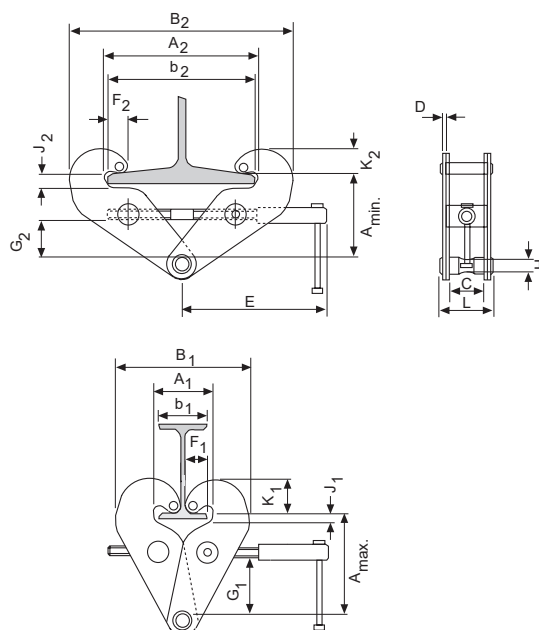
This model must not be used for lifting. It is only to be used as a suspension point.

### Technical data YC

Model	Art.-No.	WLL kg	Beam flange width mm	Weight kg
YC1	NO5406181	1000	75 - 230	3.8
YC2	NO5406182	2000	75 - 230	4.6
YC3	NO5407417	3000	80 - 320	9.2
YC5	NO5407418	5000	90 - 320	11.0
YC10	NO5407419	10000	90 - 320	17.2

### Dimensions YC

Model	YC1	YC2	YC3	YC5	YC10
A min., mm	115	115	180	180	175
A max., mm	150	150	225	225	220
A1, mm	78	78	85	95	95
A2, mm	246	246	325	325	325
B1, mm	186	186	232	242	268
B2, mm	350	350	455	445	480
b1, mm	75	75	80	90	90
b2, mm	230	230	320	320	320
C, mm	50	50	70	70	70
D, mm	3	4	6	10	14
E, mm	215	215	255	255	275
F1, mm	34	35	35	35	35
F2, mm	17	18	21	21	20
G1, mm	82	82	120	116	110
G2, mm	44	44	75	75	66
H, mm	20	20	22	28	38
J1, mm	14	14	30	30	34
J2, mm	21	21	34	34	35
K1, mm	48	50	60	60	60
K2, mm	31	32	40	42	40
L, mm	80	86	114	129	146



## SC92 Beam clamps with shackle

Working load limit (WLL) 1000 - 20000 kg

The SC92 beam clamp provides a quick and versatile rigging point for hoisting equipment, pulley blocks or loads. The unit offers flexible applications due to the wide adjustment range. The shackle suspension allows easy attachment of lifting devices. The clamp offers a safe and secure grip to the beam flange.

Product group: C4

### INFO

This model must not be used for lifting. It is a suspension point.



### Technical data SC92

Model	Art.-No.	WLL kg	Beam flange width mm	Weight kg
SC92-1	N05400002	1000	75 - 210	5.0
SC92-2	N05400003	2000	75 - 210	6.0
SC92-3	N05400004	3000	100 - 270	8.0
SC92-3/L	N4300000237	3000	75 - 305	9.0
SC92-5	N05400005	5000	100 - 270	10.0
SC92-5/L	N4300000241	5000	75 - 305	12.0
SC92-10	N05400001	10000	75 - 305	19.0
SC92-15	N4300000232	15000	75 - 305	35.0
SC92-20	192027171	20000	300 - 410	87.0



## BA Bulb bar anchors

Working load limit (WLL) 750 - 6000 kg

The BA bulb bar anchor has been designed for attachment to bulb profiles, often found in ship compartments and engine rooms. It provides a semi-permanent suspension point. The clamp can be quickly and easily attached via the screw mechanism.

The fabricated light weight design ensures a firm grip onto the bulb section. The unique large bow hook ring gives easy connection for all types of lifting equipment.

Product group: I2

### Technical data BA

Model	Art.-No.	*WLL kg	Max. bulb hp	*Weight kg
BA0.75	N4300000023	750	80 - 160	3
BA1.5	N4300000020	1500	160 - 240	4
BA3.0	N4300000021	3000	240 - 320	5.5
BA6.0	N4300000022	6000	320 - 430	12.5

\*Per clamp



**FLTH Adjustable dual tine hooks**

Working load limit (WLL) 2000 - 3000 kg

The FLTH tine hook is designed to convert your forklift truck into a crane. This is done by simply sliding the FLTH over the tines of your forklift truck and then fastening the tines by tightening the two threaded bars underneath. The unit is supplied as standard with a swivel safety hook.

Product group: I4

**Technical data FLTH**

Model	Art.-No.	WLL kg	Max. fork size mm	Weight kg
FLTH2	N4300000170	2000	120 x 60	31
FLTH3	N4300015315	3000	120 x 60	37

**TZH Adjustable single tine hooks**

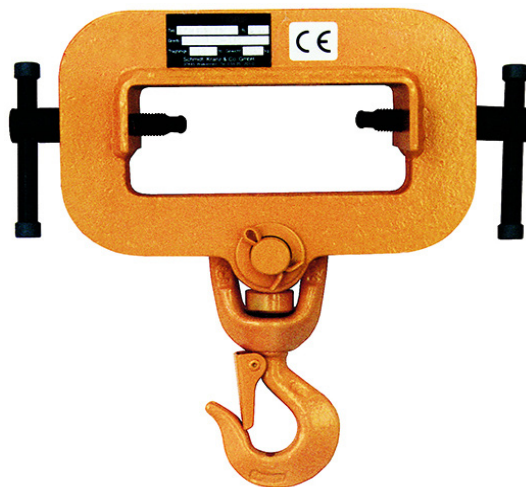
Working load limit (WLL) 1500 - 5000 kg

The TZH tine hook is designed to convert your forklift truck into a crane. This is done by sliding the TZH onto a single tine. The tine hook is fastened to the tine by tightening the two threaded bars on either side. This unit is supplied as standard with a swivel safety hook.

Product group: I4

**INFO**

Attention must be paid to the working load limit of the single forklift tines.

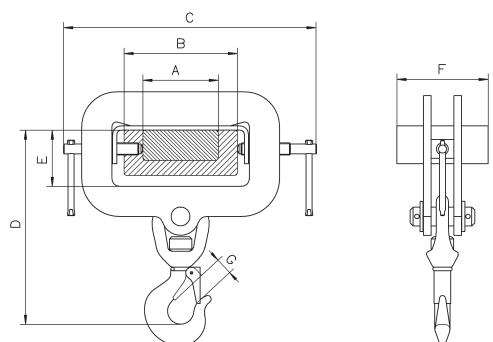


**Technical data TZH**

Model	Art.-No.	WLL kg	Fork width mm	Max. fork height mm	Weight kg
TZH1.5/150	N55100001	1500	100 - 150	74	8.5
TZH3.0/150	N55100002	3000	100 - 150	74	12.0
TZH5.0/150	N55100004	5000	150 - 200	94	16.0

**Dimensions TZH**

Model	TZH1.5/150	TZH3.0/150	TZH5.0/150
A, mm	100	100	100
B, mm	150	150	150
C min., mm	310	350	350
C max., mm	360	400	400
D, mm	260	270	295
E, mm	74	74	74
F, mm	120	120	120
G, mm	25	28	34



TZH, swivel hooks, pivoting and swivelling

## TTB Spreader beam for big bags

Working load limit (WLL) 2000 kg

The TTB big bag lifter is designed to lift and transport standard large bulk bags safely and securely. It is manufactured as a 4 point spreader beam in a fixed frame. The construction incorporates four hooks with safety latches that allow fast loading and unloading.

Product group: I4

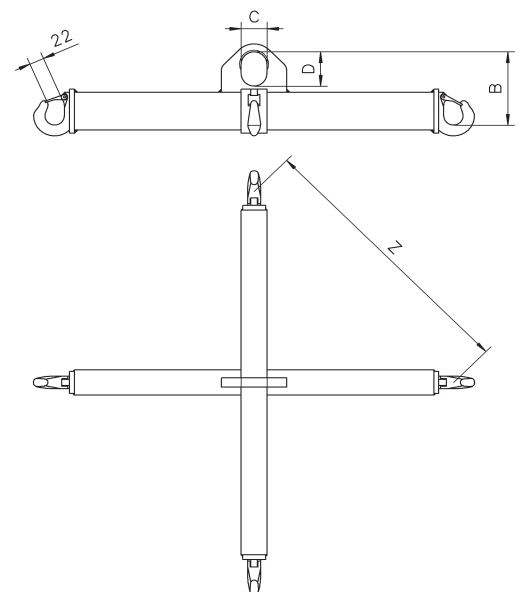


### Technical data TTB

Model	Art.-No.	WLL kg	Working width Z mm	Weight kg
TTB2/1090	N53156302	2000	750 - 800	42

### Dimensions TTB

Model	TTB2/1090
B, mm	240
C, mm	75
D, mm	135





**TKG - VH Crane forks**

Manual balance crane forks

Working load limit (WLL) 1000 - 5000 kg

The TKG-VH range of crane forks are equipped with adjustable tines and have an adjustable height mast. The balancing system engages when the master link is manually hooked into the appropriate notch.

**Features**

- Factor of safety 4 : 1
- Maintenance free.
- Highly visible safety colour.
- For transporting rings or coils, simply push fork tines together.
- Easily adjustable tines for all pallet sizes.
- Supplied with chain for securing the load.

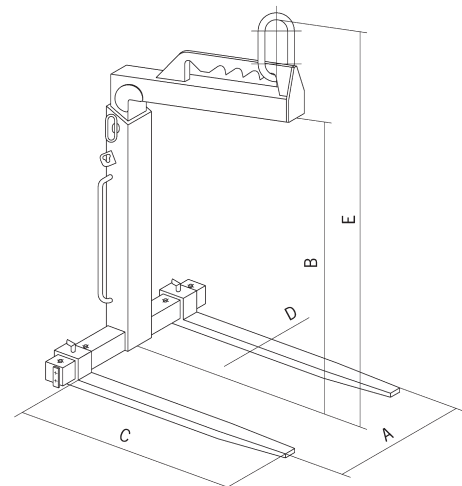
Product group: I4

**INFO**

The load must not exceed the fork length.

**Technical data TKG vh**

Model	Art.-No.	WLL kg	Weight kg
TKG1.0 vh	N53407511	1000	128
TKG2.0 vh	N53407513	2000	193
TKG3.0 vh	N53407514	3000	248
TKG5.0 vh	N53407515	5000	388



**Dimensions TKG vh**

Model	TKG1.0 vh	TKG2.0 vh	TKG3.0 vh	TKG5.0 vh
Adjustment of tines A, mm	350 - 900	400 - 900	450 - 900	500 - 1000
Usable height B, mm	1100 - 1600	1300 - 2000	1300 - 2000	1300 - 2000
Length of tines C, mm	1000	1000	1000	1000
Section of tines D, mm	100 x 30	120 x 40	120 x 50	150 x 60
Overall height E, mm	1390 - 1890	1640 - 2340	1670 - 2370	1700 - 2400



## TKG - VHS Crane forks

Self weight balance crane forks

Working load limit (WLL) 200 - 5000 kg

The TKG-VHS range of crane forks are equipped with adjustable tines, adjustable mast height and a self weight balancing system. Crane forks with self weight balancing\* tend to point their tines upwards when being transported, this prevents the load from unintentionally slipping off the tines.

The self weight balancing mechanism returns the lifting point to the unloaded position when the load is set down. For efficient operation of this mechanism the load must be greater than 20% of the working load limit.

### Features

- Factor of safety 4 : 1
- Maintenance free.
- Highly visible safety colour.
- For transporting rings or coils, simply push fork tines together.
- Easily adjustable tines for all pallet sizes.
- Supplied with chain for securing the load.

Product group: I4



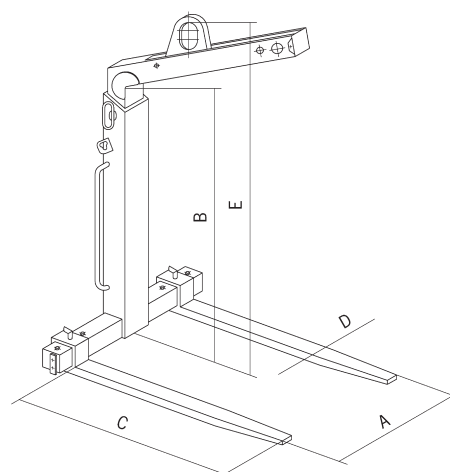
## INFO

For the transport of loads above persons (e.g. on construction sites) appropriate security measures against falling loads or parts must be taken.

The load must not exceed the fork length.

### Technical data TKG vhs

Model	Art.-No.	WLL kg	Weight kg
TKG1.0 vhs	N53407531	200 - 1000	128
TKG2.0 vhs	N53407533	400 - 2000	203
TKG3.0 vhs	N53407534	600 - 3000	260
TKG5.0 vhs	N53407535	1000 - 5000	413



### Dimensions TKG vhs

Model	TKG1.0 vhs	TKG2.0 vhs	TKG3.0 vhs	TKG5.0 vhs
Adjustment of tines A, mm	350 - 900	400 - 900	450 - 900	500 - 1000
Usable height B, mm	1100 - 1600	1300 - 2000	1300 - 2000	1300 - 2000
Length of tines C, mm	1000	1000	1000	1000
Section of tines D, mm	100 x 30	120 x 40	120 x 50	150 x 60
Overall height E, mm	1420 - 1920	1655 - 2355	1720 - 2420	1710 - 2410



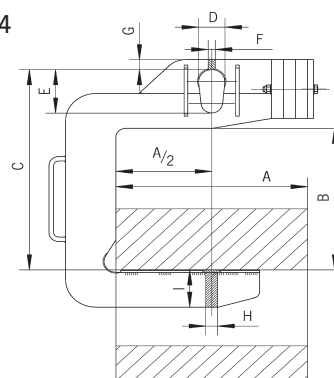
### TCK Single arm C-Hooks

Working load limit (WLL) 500 - 10000 kg

The Camlok TCK C-Hooks have been designed to safely and efficiently handle coils, rolls, rings, pipes, round stock and other similar loads.

Many features are available on C-hooks. When lifting collared or standard pipes, the optional backstop device can be positioned as far back as possible. If the lifting of shorter pipes is required the backstop can be adjusted accordingly. Loads that are longer, or exceed the specified working load limit, should not be lifted. Camlok uses the latest 3D CAD design technology to produce bespoke products tailored to customer requirements. There are many additional options available including shaped tines and adjustable end-stops.

Product group: I4



#### Technical data TCK

Model	Art.-No.	WLL kg	Coil width A mm	Usable height B mm	C mm	D mm	E mm	F mm	G mm	H mm	I mm	Weight kg
TCK0.5/300	N53507801	500	300	400	570	60	120	20	25	20	50	21
TCK0.5/500	N53507802	500	500	400	580	60	120	20	23	20	65	30
TCK0.5/800	N53507803	500	800	400	580	60	120	25	23	25	70	46
TCK1.0/300	N53507804	1000	300	450	620	60	120	25	23	20	70	28
TCK1.0/500	N53507805	1000	500	450	630	60	120	20	23	25	80	40
TCK1.0/800	N53507806	1000	800	450	630	60	120	30	23	30	90	95
TCK2.0/300	N53507807	2000	300	500	700	75	150	25	38	25	90	45
TCK2.0/500	N53507808	2000	500	500	700	75	150	30	38	30	110	90
TCK2.0/800	N53507809	2000	800	500	720	75	150	30	38	30	125	140
TCK2.0/1000	N53507810	2000	1000	500	720	75	150	20	35	40	125	180
TCK3.0/300	N53507811	3000	300	500	700	75	150	30	38	30	105	68
TCK3.0/500	N53507812	3000	500	500	700	75	150	20	40	30	125	127
TCK3.0/800	N53507813	3000	800	500	720	75	150	25	40	40	140	165
TCK3.0/1000	N53507814	3000	1000	500	720	75	150	20	40	40	155	215
TCK5.0/500	N53507815	5000	500	550	800	100	200	25	45	40	145	184
TCK5.0/800	N53507816	5000	800	550	800	100	200	30	45	50	160	238
TCK5.0/1000	N53507817	5000	1000	550	820	100	200	30	45	50	180	286
TCK5.0/1250	N53507818	5000	1250	550	820	100	200	30	45	50	200	364
TCK7.5/800	N53507819	7500	800	600	900	110	220	35	50	50	200	390
TCK7.5/1000	N53507820	7500	1000	600	900	110	220	35	50	60	200	520
TCK7.5/1250	N53507821	7500	1250	600	900	110	220	35	45	60	220	650
TCK7.5/1500	N53507822	7500	1500	600	920	100	220	35	50	70	220	767
TCK10.0/1000	N53507823	10000	1000	650	980	130	250	40	50	70	220	772
TCK10.0/1250	N53507824	10000	1250	650	1000	130	250	45	55	70	240	810
TCK10.0/1500	N53507825	10000	1500	650	1000	130	250	45	55	80	240	980

### TCS Universal turning hooks

Working load limit (WLL) 500 - 3000 kg

The TCS coil turning hooks are specifically designed to pick up coils of steel or banding material which are laying flat.

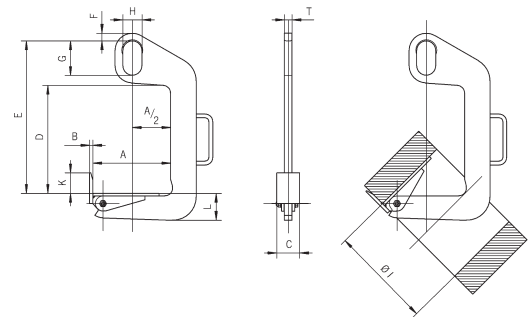
Once the turning hook is positioned and the crane hook is raised, the coil automatically transfers from the horizontal position to the vertical position. This allows for easy transportation and also allows for loading onto machines or racking.

Product group: I4



#### Technical data TCS

Model	Art.-No.	WLL kg	Weight kg
TCS0.5/120	N53507850	500	9
TCS0.5/200	N53507851	500	10
TCS1.0/200	N53507852	1000	13
TCS1.0/300	N53507853	1000	15
TCS2.0/200	N53507854	2000	21
TCS2.0/300	N53507855	2000	23
TCS3.0/200	N53507856	3000	34
TCS3.0/300	N53507857	3000	39



#### Dimensions TCS

Model	TCS 0.5/120	TCS 0.5/200	TCS 1.0/200	TCS 1.0/300	TCS 2.0/200	TCS 2.0/300	TCS 3.0/200	TCS 3.0/300
Coil width A min., mm	50	100	100	200	100	200	100	200
Coil width A max., mm	120	200	200	300	200	300	200	300
B, mm	10	10	10	10	12	12	15	15
C, mm	60	60	80	80	90	90	100	100
D, mm	330	330	460	460	420	420	610	610
E, mm	470	470	600	600	600	600	820	820
F, mm	20	20	20	20	30	30	40	40
G, mm	110	110	110	110	135	135	160	160
H, mm	60	60	60	60	75	75	90	90
K, mm	50	50	60	60	80	80	100	100
L, mm	45	50	65	70	85	95	100	110
T, mm	20	20	25	25	30	30	35	35
Ø I, mm	220	300	300	400	300	400	300	400



**DL5 Cable drum lug with locking lever**

**Working load limit (WLL) 5000 kg**

Specifically designed for the transport of cable drums, these clamps are used in pairs together with a two-legged chain sling.

By the spreading of the clamp, it locks inside the drum.

The clamps can be held in place by a locking lever.

Easy handling, light-weight design, and the size of the clamp contribute to the safe transport of all types of cable drums.

**Product group: I2**



**INFO**

Sold in pairs.

Shackles not supplied.

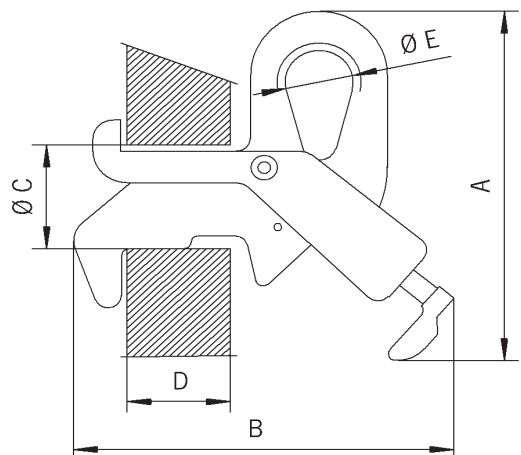
**Technical data DL5**

Model	Art.-No.	*WLL kg	Hole size mm	*Weight kg
DL5	N52210000	5000	82 x 85	11

\*Per pair

**Dimensions DL5**

Model	DL5
A, mm	277
B, mm	277
Ø C, mm	82
D, mm	85
Ø E, mm	50



## HGC Hand grip clamps

Working load limit (WLL) 250 kg

The HGC hand grip clamps are suited for the individual transportation of light and thin materials. They have a jaw capacity of up to 10mm, and can lift up to 250kgs.

To operate the clamp you simply press down on the hand grip which compresses a spring. This allows the clamp jaw to open and you simply slide the clamp on to the material to be lifted.

Product group: I2



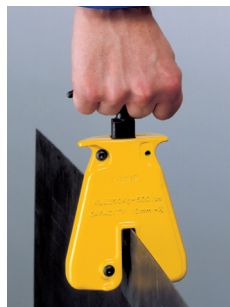
## INFO

Available with 300 mm extended handle.

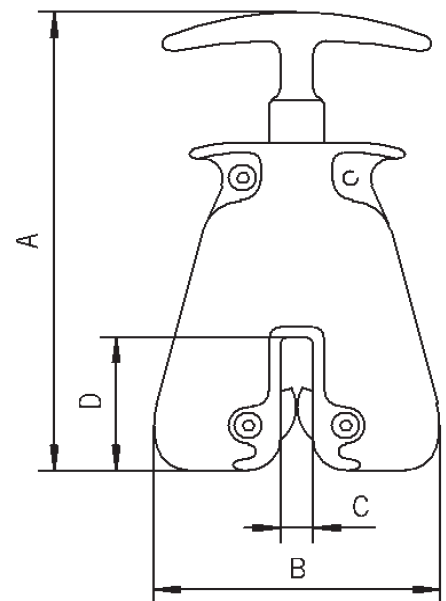
The HGC can also be supplied with an eyebolt instead of the handle.



Attaching



Transport



## Technical data HGC

Model	Type/option	Art.-No.	*WLL kg	Jaw capacity mm	*Weight kg
HGC250	Standard	N51502415	250	0 - 10	1.4
HGC250 EX <sup>1</sup>	Extended handle	N4300013269	250	0 - 10	1.5
HGC250 EB <sup>2</sup>	Eye bolt	N4300007661	250	0 - 10	1.4

Please contact our sales team for full technical drawings.

<sup>1</sup> EX = Extended handle (300 mm)    <sup>2</sup> EB = Eye bolt (instead of handle)

\*Per clamp

# OVERVIEW

The information presented in this general overview is for reference only. The operating instructions supplied with each Camlok device must be read and understood by the operator before commencing use of the device.

When operated correctly, our Camlok products will offer the highest degree of safety, avoid damage to products and people and present a long-life expectancy.

## Modification of delivery condition

The device may not be altered without authorization of the manufacturer, in any way. The validity of the declaration of conformity will be void and any liability and warranty of the manufacturer ceased.

## Limitations of operation

### Loading

The load applied to the device must be between the minimum and maximum rated capacity (WLL) indicated on the device. The maximum load must not be exceeded.

### Temperature

Clamps without protective lining may normally be operated at ambient temperatures of -20 °C up to +80 °C without capacity reduction. Clamps with protective lining are subject to a reduced temperature band due to application of the protective linings.

Special construction clamps are available for elevated temperatures.

### Shock loading, swinging of load

Swinging of the load and collision with the floor and other objects should be minimised as much as possible.

### Chemicals

The use of these devices in close proximity of chemicals or chemical vapours is limited, – consult our specialists beforehand.

### Transport of people

Transport of people with these devices is forbidden!

### Operation in danger zones

Lifting or transport of loads must be avoided while personnel are in the danger zone. When using clamps or grabs the load must not be suspended above people.

### Inspection before operation

- Check the fixed jaw and the moving jaw for wear and defects.
- Check for damage, corrosion, cracks or deformations.
- The device should open and close easily, without stiffness or snagging.
- Check the function of the spring. In the CLOSED position there must be a noticeable spring pressure.
- Check that the data marked on the device is legible.

## Application advice

Ensure that the surface of the steel plate, in the area where the clamp is to be attached, is dry and free from grease, paint, dirt and scale and is not coated.

The suspension eye must have sufficient space in the load hook and move freely. A safety latch must be fitted to the hook to prevent accidental out-hooking.

Do not lift or transport loads while personnel are in the danger zone and do not allow people to pass under a suspended load.

Position the device over the centre of gravity so that a swinging is avoided.

If longer sheets of metal or profiles are to be transported, we recommend using two clamps to prevent load swinging. Consult the operating instructions of the device for the correct method.

Minimise side loading, unless the device has this ability.

Always insert the load fully into the mouth of the clamp and perpendicular to the edge of the plate.

Clamps designed for the transport of steel plate in vertical position may only lift one single plate at a time.

Horizontal clamps are available for the transport of steel plate in a horizontal position which allows handling of several plates at a time.

A load must not be suspended or left unattended in raised or tensioned condition for a longer period of time.

Before moving the load check that the load is correctly attached and all personnel are outside the danger zone.

In case of malfunction, remove the device from service immediately.

## Maintenance and repair

To maintain safe operation, inspect the device regularly in accordance to the manufactures instructions.

Clean and lubricate the device regularly.

Inspections, repairs and tests must be performed by competent persons or specialist workshops that use original spare parts.

### Safety

- ALWAYS check the operation of your 'Camlok' lifting clamp before use.
- NEVER use a worn or damaged 'Camlok' lifting clamp.
- NEVER lift more than one plate at a time.
- NEVER exceed the maximum working load limit.
- NEVER fast lower, always gently lift and lower.
- NEVER force the locking lever.
- NEVER stand under a suspended load and if guiding a load by hand always place the palm of the hand on top of the load. NEVER grip the load with fingers on the underside. Always stand clear when lifting or lowering.
- Always keep a record of inspections and repairs.

Columbus McKinnon Corporation Limited (hereafter called „The Company“) draws attention to the following terms and conditions, which shall apply to all orders accepted and supplies made to the exclusion of any other terms and conditions whatsoever.

- DELIVERY.** Any delivery date given shall be subject to confirmation or revision by the Company at the time of acceptance of an order. The Company will then employ all reasonable means to make delivery within the time stated but cannot accept any liability whatsoever for any loss or damage arising out of or in connection with late delivery or non-fulfilment of contract. The company shall be entitled to defer delivery until any monies due from buyer has been received. The company shall also be entitled to make partial deliveries by instalments and each instalment shall constitute a separate agreement. Should delivery be delayed by the buyer's instructions or lack of instructions or by any cause whatsoever beyond the Company's reasonable control including strikes, lock-out labour, disputes, war, act of God, embargo, government regulations, fire, flood, accident, shortage of or delay in obtaining materials or any other causes of similar character then a reasonable extension of time shall be granted. Our standard delivery term, unless otherwise agreed, to GB customers is EWX Ex-works and to overseas customers FCA Sellers premises.
- PRICE.** All prices quoted are exclusive of carriage, which will be charged separately unless otherwise stated and those ruling at the date of this quotation and subject to V.A.T. Any orders accepted by the Company shall be invoiced and paid for at the Company's prices ruling at the date of dispatch. If all the goods included in our estimate are not ordered, we reserve the right to revise our quoted price.
- ACCEPTANCE OF ORDERS.** Any quotation and acceptance thereof shall not constitute a contract to supply. The contract between the Company and the buyer shall only be formed when the buyer's order is formally accepted in writing by the Company.
- ADDITIONS / MODIFICATIONS.** No additions or modifications to these conditions of sale shall be deemed to have been accepted by the Company or form any part of any contract between the Company and the buyer unless the Company has first agreed in writing to such additions or modifications.
- IMPROVEMENTS AND CHANGES.** The Company reserves the right to make improvements or changes in the engineering specification of any goods without first referring to the buyer.
- CANCELLATION.** The buyer shall not be entitled to cancel any contract unless the Company has first agreed in writing to such cancellation. Any cancellation by the buyer will be subject to a cancellation charge, which will be determined by the Company and paid by the buyer as a precondition to the Company's acceptance of the buyer's cancellation.
- SHORTAGES.** The buyer shall be deemed to have accepted the quantity of goods delivered as being in accordance with the buyer's order unless within 7 days from receipt of the same the buyer has notified the Company in writing of any shortage.
- TITLE AND RISK.** Risk in the goods shall pass to the buyer at the time of despatch from the Company's works and the Company shall not be liable for any loss or damage whatsoever to the goods, which may occur after that time. Title in the goods shall remain with the Company until such time as full payment for the goods is made. Until such time, the Company shall be entitled to recover the goods or any part thereof. And for the purpose of exercising such rights the Company its employees and agents with appropriate transport may enter upon the buyer's premises and any other location where the goods are situated. Furthermore, if payment is not received and the buyer should be wound up or a receiver appointed over the whole or part of the buyers undertaking or an execution of distress levied against the buyer, the Company shall be entitled to enter and repossess the goods or trace the goods or the proceeds of sale in your hands or in the hands of any liquidator or receiver.
- TERMS OF SALE** Whilst we endeavour to supply equipment as described in our price list and catalogues, all items are offered subject to availability and CMCO can accept no responsibility for mistakes in the text. It may sometimes be necessary to offer alternative CMCO products to those selected, However, the performance and integrity will be of the same high quality as you would normally expect from CMCO. Due to our policies of continued development, we will reserve the right to change dimensions weight, specifications, discounts and prices without warning. Please check with the sales team when ordering. The company reserves the right to correct any clerical typographical error by employees at any time.
- TERMS OF PAYMENT.** Unless otherwise agreed by the Company in writing, all invoices must be paid without retention or set-off, on or before the last day of the calendar month following the month in which they were invoiced or as stated in the Company's quotation. Failure to pay the full amount due will entitle the company without notice and without prejudice to its other rights, to refuse to effect delivery or allow collection by any agent of the buyer, or any further consignment of goods without incurring any liability whatsoever to the purchaser. The Company reserves the right to charge the buyer interest on any amount overdue at the rate of 2% over the standard Bank of England base rate current at the time the account becomes due. Invoice queries must be reported within 21 days of invoice date. Invoice balances should be paid in full unless a query has been raised in line with these terms and conditions.
- NON-ASSIGNMENT.** The contract or any party thereof shall not be assigned by the buyer without the written consent of the company.
- LIQUIDATION.** If the buyer shall make default in or commit any breach of any of his obligations to the Company or if any distress or execution shall be levied upon the buyer's property or assets or if the buyer shall make or offer to make any arrangements or composition with creditors or commit any act of bankruptcy or if any petition or receiving order in bankruptcy shall be presented or made against him or if the buyer shall be a limited company and any resolution or petition to wind up such company's undertaking, property or assets, or any part thereof, shall be appointed, the Company shall have the right forthwith to determine any contract and to cancel any outstanding delivery or deliveries and to stop any goods in transit, but all without prejudice to any remedy which the Company may have in respect of the consequential non-complete or non-performance of the contract.
- WARRANTY.** All equipment complies with the high standards of quality established by the Company both in respect of materials and workmanship and as the sole and exclusive remedy in discharge of this warranty the Company undertakes to replace free of charge within 360 days from date of despatch from its works any components of its manufacture, which are proved to the satisfaction of the Company (whose decision shall be final and binding) to be defective in materials and workmanship provided notice in writing to the Company is given within 10 days of the defect occurring and provided the component which is the subject of the complaint, if the Company so requests returned pre-paid to the Company's works at Chester. In the case of defective components or parts not of the Company's manufacture the Company's liability shall be limited to such adjustment or allowance as the manufacturer thereof shall make. The Company shall not accept responsibility for such work done or expense incurred by the buyer in connection with any repair or replacement unless the Company's prior written authorisation has been obtained. This warranty is in lieu of and excludes all other conditions and warranties whatsoever whether expressed or implied and whether under common law, statute law or otherwise and apart from aforesaid the Company hereby expressly excludes all liability for any loss or damage whatsoever arising and howsoever caused. The buyer warrants that it will pass on, to all third parties to whom it may supply the goods, all information as to the use and safe handling of the goods, as may have been passed onto the buyer by the Company.
- DESIGN AND MANUFACTURE.** Where goods are made to the buyer's specifications, instructions or design, the buyer undertakes full responsibility for the suitability and accuracy of the specifications, instructions or design and undertakes to indemnify the Company for any loss, damage or expense in respect of any liability arising under the provisions of the Customer Protection Act 1987 in relation to the specification or design of such goods. The Company confirms all specifications within a quotation that is valid for 30 days from the date of quotation. Goods made to special order cannot be cancelled.
- LEGAL CONSTRUCTION.** The contract shall in all respects be constructed and operate as a contract governed by English Law and unless otherwise agreed, is subject to the jurisdiction of the English Court. The legal construction of the clauses shall not be affected by their titles. Whilst we endeavour to supply equipment as described in our price list and catalogues, all items are offered subject to availability and CMCO can accept no responsibility for mistakes in the text. It may sometimes be necessary to offer an alternative CMCO product to those selected. However, the performance and the integrity will be of the same high quality as you would expect from CMCO.

All rights reserved. No copying, even in part, without the express permission of Columbus McKinnon Corporation Limited. This catalogue includes archive pictures for illustrative purposes. We reserve the right to make technical amendments, changes, and/or improvements without prior notice. The colour(s) of items shown may vary from those actually supplied. We can accept no liability for typographical errors. 2023 Columbus McKinnon Corporation Limited.



# Camlok<sup>®</sup> Lifting Clamps

Columbus McKinnon Corporation Limited  
Knutsford Way  
Sealand Industrial Estate  
Chester  
CH1 4NZ  
United Kingdom

Tel: +44 (0) 1244 375375  
Email: [sales.uk@cmco.eu](mailto:sales.uk@cmco.eu)  
Website: [www.camlok.co.uk](http://www.camlok.co.uk)

Authorised distributor:

