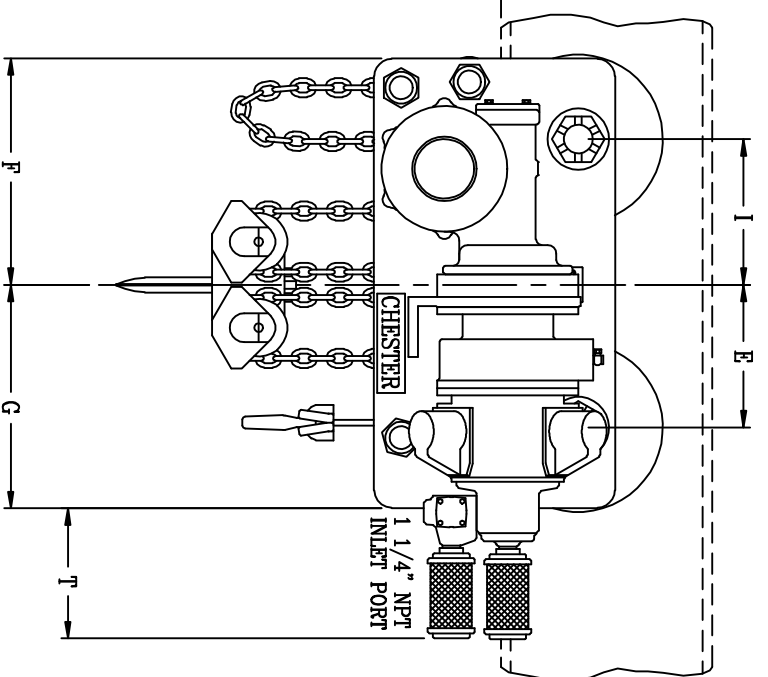
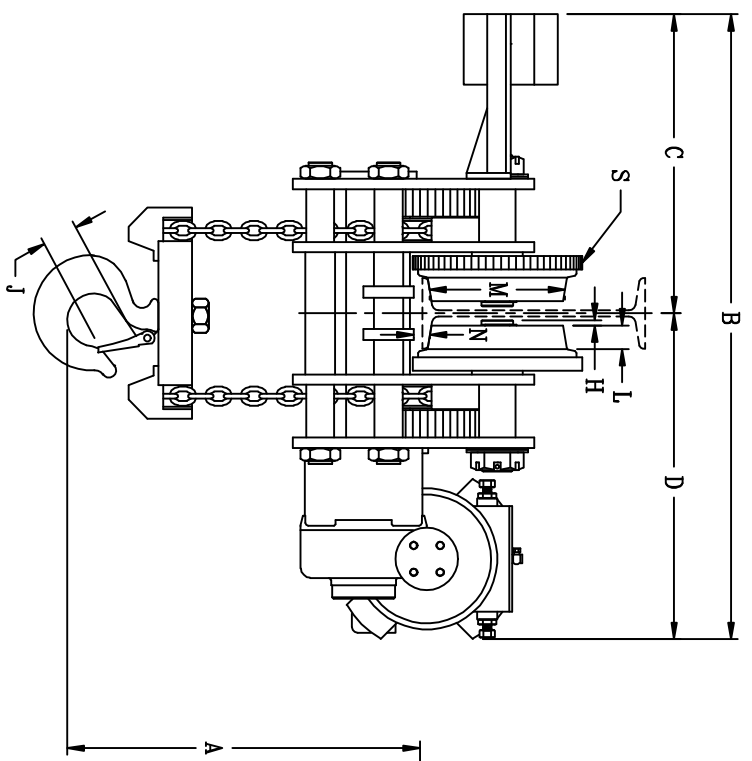


SPARK RESISTANT
 -BRONZE HOOK
 -STAINLESS STEEL CHAIN

PC# 4 NO. REQ. 1



A	21"
B	53 1/4"
C	25 1/2"
D	27 3/4"
E	12 1/8"
F	19 1/4"
G	19"
H	7/16"
I	12 3/8"
J	3 11/32"
L	2"
M	11 3/4"
N	1 3/16"
R	XX
S	14 13/32"
T	11 3/16"

* TO WHEEL RUNNING SURFACE OF BEAM
 # TO UNDER BEAM ROLLER - (CLOSEST POINT OF CONTACT)
 FROM THE FACE OF THE WHEEL TO END OF THE AXLE
 CUSTOMER MUST TAKE INTO CONSIDERATION FLANGE WIDTH AND THICKNESS OF BEAM
 DIMENSIONS SHOWN ARE CORRECT FOR ANY "S" OR "W" BEAM, PLAIN, HAND GEARED OR MOTORIZED TROLLEY.
 FLAT TREAD WHEELS, NOT SHOWN, ARE SUPPLIED FOR "W" BEAM APPLICATIONS
 NOTE: THIS UNIT OPERATES ONLY ON THE BEAM SPECIFIED

16 TON AIR LOW HEADROOM HOIST

CHESTER HOIST
 LISBON, OHIO

DR. MAM	TR.	CK.	AP.
SCALE NONE		DATE 9/24/08	
REF. DWG. NO.			

MK.	
REVISIONS	OK-DATE

Dwg. No. C-49223