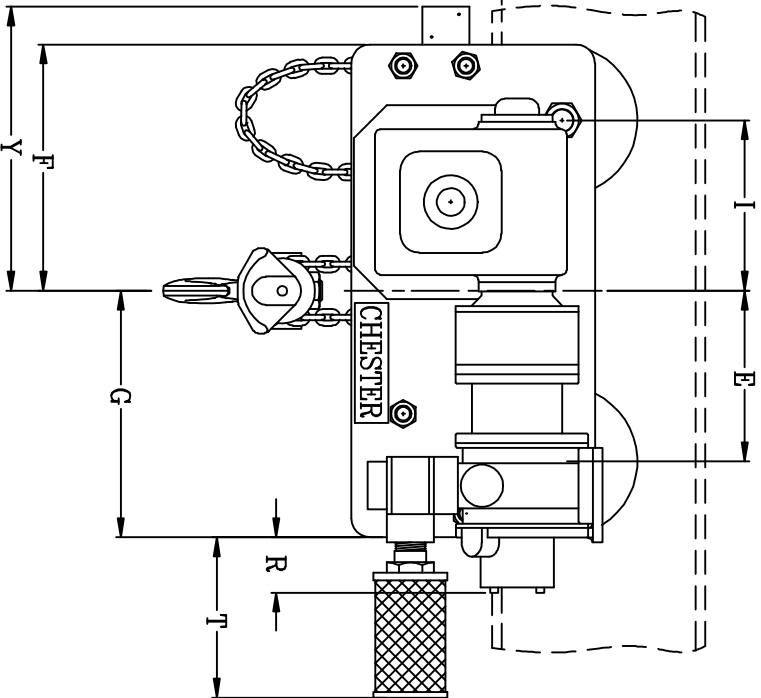
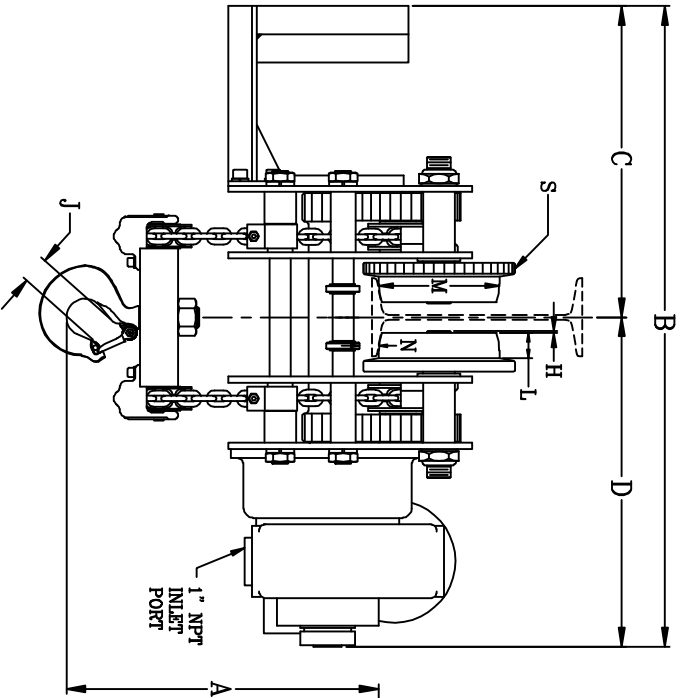


SPARK RESISTANT
 -BRONZE HOOK
 -STAINLESS STEEL CHAIN

PC#1 NO. REQ. 1



* A	9 3/16"
B	33 13/16"
C	16 1/2"
D	17 5/16"
E	9"
F	13"
G	13"
H	1 1/4"
I	9"
J	1 11/16"
L	1 11/32"
M	6 3/8"
#* N	1"
R	2 15/16"
S	8"
T	8 1/2"
Y	15"

* TO WHEEL RUNNING SURFACE OF BEAM
 # TO UNDER BEAM ROLLER - (CLOSEST POINT OF CONTACT)
 FROM THE FACE OF THE WHEEL TO THE END OF THE AXLE
 CUSTOMER MUST TAKE INTO CONSIDERATION FLANGE WIDTH AND THICKNESS OF BEAM
 DIMENSIONS SHOWN ARE CORRECT FOR ANY "S" OR "W" BEAM; PLAIN, HAND GEARED OR MOTORIZED TROLLEY
 NOTE: THIS UNIT OPERATES ONLY ON THE BEAM SPECIFIED

2 TON AIR LOW HEADROOM HOIST		DR. MAM	TR.	CK.	AP.
CHESTER HOIST		SCALE	NONE	DATE	8/29/08
LISBON, OHIO		REF. DWG. NO.			
REVISIONS		CK-DATE			
MK.					

Dwg. No. C-49031