

WIRE #	DEVICE CONNECTED
1	X16-1
2	X16-2
3	X16-3
1N	X16-1N
2N	X16-2N
27	X16-27
28	X16-28
16L100	X16-100
L101	X16-101
16L110	X16-110
L211	X16-211
L212	X16-212
L215	X16-215
216	X16-216
16L291	X16-291
16L292	X16-292
L411	X16-411
L412	X16-412
L415	X16-415
423	X16-423
16L41	X16-41
16L42	X16-42
16L43	X16-43
16L223	X16-223
16L224	X16-224
16L225	X16-225
16L1	X16-1
16L2	X16-2
16L3	X16-3
40L41	X16-41
40L42	X16-42
40L43	X16-43

S220 - GEARED LIMIT SWITCH		
ELEMENT	FUNCTION	CONTACTS
S1	EMERGENCY HOIST UPPER LIMIT	11-12
S2	EMERGENCY HOIST LOWER LIMIT	21-22
S3	OPERATING UPPER LIMIT	31-32
S4	UPPER SLOW DOWN LIMIT	41-42



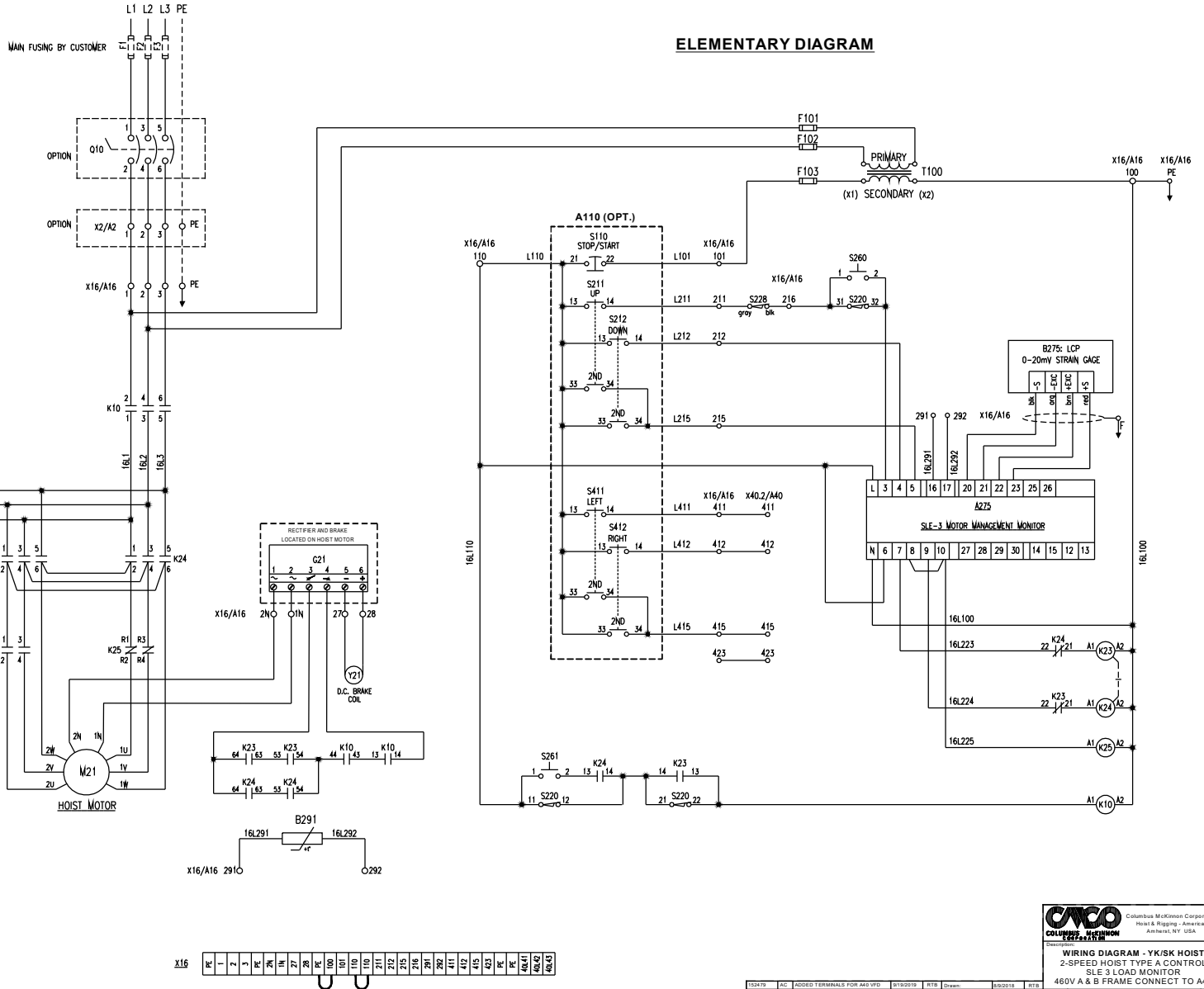
SYMBOL DESIGNATIONS

- A110 - PUSHBUTTON PENDANT
- A275 - SLE3 MOTOR MONITOR
- F41-F43 - TROLLEY CIRCUIT FUSING
- F101-102 - T100 PRIMARY FUSING
- F103 - T100 SECONDARY FUSE
- G21 - HOIST BRAKE RECTIFIER
- K10 - MAIN CONTACTOR
- K23-24 - HOIST REVERSING CONTACTOR
- K25 - HOIST FAST CONTACTOR
- S220 - GEARED LIMIT SWITCH
- S260 - OPERATING UPPER LIMIT BYPASS
- S261 - EMERGENCY UPPER LIMIT RESET
- T100 - CONTROL TRANSFORMER
- B275 - LOAD SENSOR
- M21 - HOIST MOTOR
- Y21 - HOIST MOTOR BRAKE
- B291 - HOIST MOTOR PTC THERMISTOR
- S228 - UPPER BLOCK LIMIT SWITCH

WARNING:
THIS EQUIPMENT MUST BE EFFECTIVELY GROUNDED
ACCORDING TO APPLICABLE CODES.

AVERTISSEMENT:
CET EQUIPEMENT DOIT ETRE MIS A LA TERRE EN
ACCORDANCE AVEC LES NORMES EN VIGUEUR.

FIRST USED ON: PROJECT ONE



ELEMENTARY DIAGRAM



WIRING DIAGRAM - YK/ISK HOIST
2-SPEED HOIST TYPE A CONTROL
SLE 3 LOAD MONITOR
460V A & B FRAME CONNECT TO A40

NO	REV	DESCRIPTION OF CHANGE	DATE	BY	ORIGINAL SCALE	WEEKS	DATE	BY	SCALE
102479	AC	ADDED TERMINALS FOR A40 WD	01/10/2015	RFB	Drawn	0	06/2016	RFB	
102480	AS	ADDED SLE3 S3 SETTINGS	11/10/2015	RFB	Approved	0			
102500	BA	PRINT RELEASE	07/2016	RFB	Design Authority	0			
ECN	REV	Description of change	Date	By	Original Scale	Weeks			

D 45655301