

WIRE #	DEVICE CONNECTED
1	X16-1 K10, F101
2	X16-2 K10, F102
3	X16-3 K10
1U1	X16-24 M21, G21, K25
1V1	X16-25 M21, K25
1W1	X16-26 M21, K24
1U2	X16-25 M21, K25
1V2	X16-26 M21, K24
1W2	X16-24 M21, K25
2U1	X16-21 M21, K25
2V1	X16-22 M21, K25
2W1	X16-23 M21, K23
2U2	X16-23 M21, K23
2V2	X16-22 M21, K25
2W2	X16-21 M21, G21, K25
27	X16-27 G21, Y21
28	X16-28 G21, Y21
16L100	X16-100 T100, K23, K24, K25, A275
L101	X16-101 A110
16L110	X16-110 S220, A275
L211	X16-211 A110, S228
L212	X16-212 A110, A275
L215	X16-215 A110, A275
Z16	X16-216 S228, S220, S260
16L291	X16-291 B291, A275
16L292	X16-292 B291, A275
L411	X16-411 A110, X40.2
L412	X16-412 A110, X40.2
L415	X16-415 A110, X40.2
423	X16-423 A110, X40.2
16L41	K23, K24, F41
16L42	K23, K24, F42
16L43	K23, K24, F43
16L223	A275, K24
16L224	A275, K23
16L225	A275, K25
16L1	K10, K23, K24
16L2	K10, K23, K24
16L3	K10, K23, K24
40.41	F41, X40.1
40.42	F42, X40.1
40.43	F43, X40.1

S220 - GEARED LIMIT SWITCH		
ELEMENT	FUNCTION	CONTACTS
S1	EMERGENCY HOIST UPPER LIMIT	11-12
S2	EMERGENCY HOIST LOWER LIMIT	21-22
S3	OPERATING UPPER LIMIT	31-32
S4	UPPER SLOW DOWN LIMIT	41-42

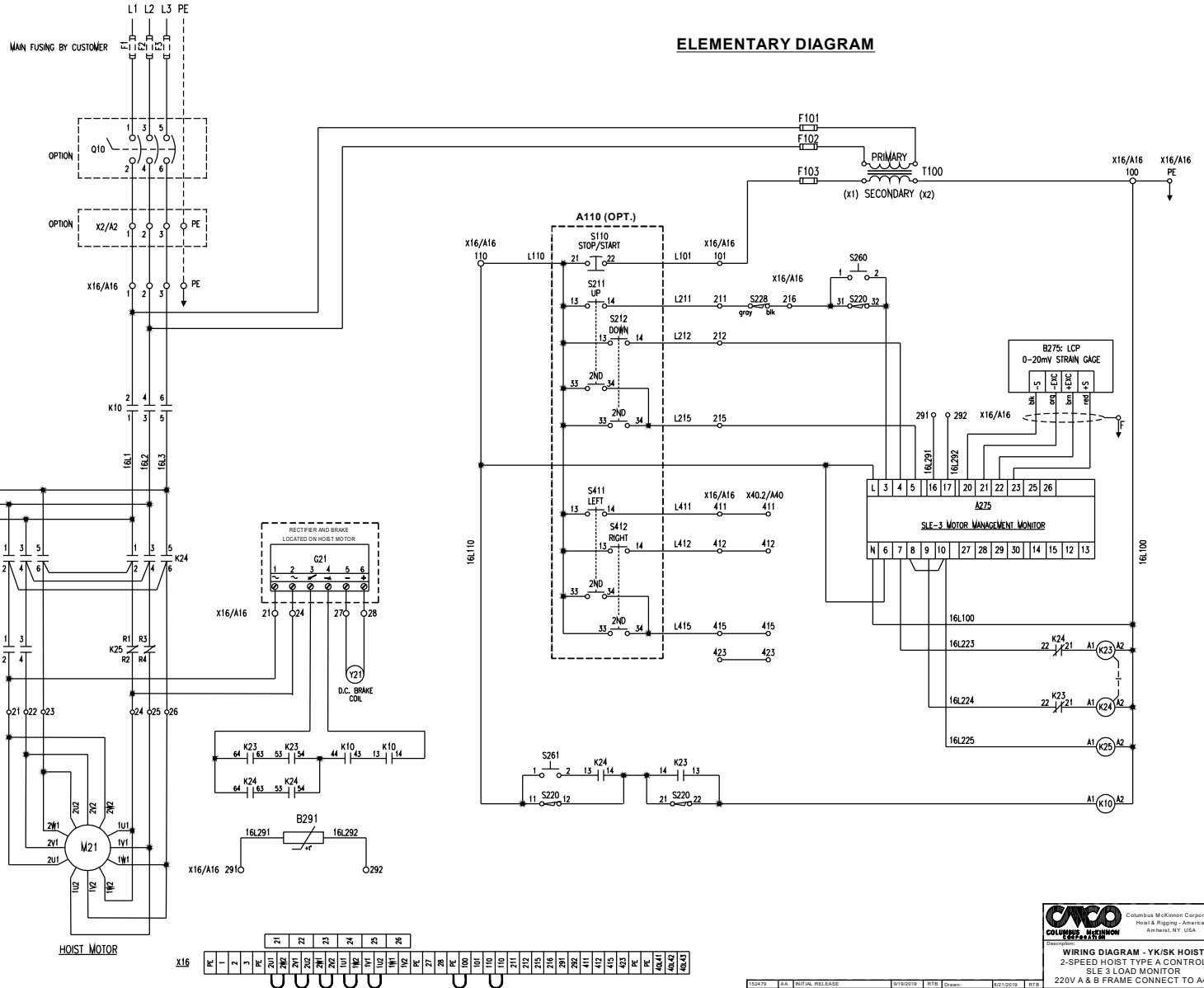


- SYMBOL DESIGNATIONS**
- A110 - PUSHBUTTON PENDANT
 - A275 - SLE3 MOTOR MONITOR
 - F41-F43 - TROLLEY CIRCUIT FUSING
 - F101-102 - T100 PRIMARY FUSING
 - F103 - T100 SECONDARY FUSE
 - K10 - HOIST BRAKE RECTIFIER
 - K10 - MAIN CONTACTOR
 - K23-24 - HOIST REVERSING CONTACTOR
 - K25 - HOIST FAST CONTACTOR
 - S220 - GEARED LIMIT SWITCH
 - S260 - OPERATING UPPER LIMIT BYPASS
 - S261 - EMERGENCY UPPER LIMIT RESET
 - T100 - CONTROL TRANSFORMER
 - B275 - LOAD SENSOR
 - M21 - HOIST MOTOR
 - Y21 - HOIST MOTOR BRAKE
 - B291 - HOIST MOTOR PTC THERMISTOR
 - S228 - UPPER BLOCK LIMIT SWITCH

WARNING:
THIS EQUIPMENT MUST BE EFFECTIVELY GROUNDING
ACCORDING TO APPLICABLE CODES.

AVERTISSEMENT:
CET EQUIPEMENT DOIT ETRE MIS A LA TERRE EN
ACCORDANCE AVEC LES NORMES EN VIGUEUR.

FIRST USED ON: PROJECT ONE



DATE	BY	DESCRIPTION OF CHANGE	DATE	BY	DESCRIPTION OF CHANGE
01/20/19	RTB	Drawn	02/12/2019	RTB	
		Approved	08/12/2019		
		Original Author			

D 45655303

CISCO
Columbus McKinnon Corporation
Hoist & Rigging, Americas
Amherst, NY, USA