

WIRE #	AMP	DEVICE CONNECTED
7	12-BLK	K20.1-7 K20
8	12-BLK	K20.1-8 K20
9	12-BLK	K20.1-9 K20
10	14-BLK	K7B.021
11	14-BLK	K7B.021
12	14-BLK	K7B.021
13	14-BLK	K7B.021
14	14-BLK	K7B.021
15	14-BLK	K7B.021
16	16-RED	U20.0 K226 K7A
17	14-BLU	X20.4-27
18	14-BLU	X20.4-28
20	14-BLU	X20.4-29
21	14-BLU	X20.4-30
22	14-BLU	X20.4-31
23	14-BLU	X20.4-32
24	14-BLU	X20.4-33
25	14-BLU	X20.4-34
26	14-BLU	X20.4-35
27	14-BLU	X20.4-36
28	14-BLU	X20.4-37
29	14-BLU	X20.4-38
30	14-BLU	X20.4-39
31	14-BLU	X20.4-40
32	14-BLU	X20.4-41
33	14-BLU	X20.4-42
34	14-BLU	X20.4-43
35	14-BLU	X20.4-44
36	14-BLU	X20.4-45
37	14-BLU	X20.4-46
38	14-BLU	X20.4-47
39	14-BLU	X20.4-48
40	14-BLU	X20.4-49
41	14-BLU	X20.4-50
42	14-BLU	X20.4-51
43	14-BLU	X20.4-52
44	14-BLU	X20.4-53
45	14-BLU	X20.4-54
46	14-BLU	X20.4-55
47	14-BLU	X20.4-56
48	14-BLU	X20.4-57
49	14-BLU	X20.4-58
50	14-BLU	X20.4-59
51	14-BLU	X20.4-60
52	14-BLU	X20.4-61
53	14-BLU	X20.4-62
54	14-BLU	X20.4-63
55	14-BLU	X20.4-64
56	14-BLU	X20.4-65
57	14-BLU	X20.4-66
58	14-BLU	X20.4-67
59	14-BLU	X20.4-68
60	14-BLU	X20.4-69
61	14-BLU	X20.4-70
62	14-BLU	X20.4-71
63	14-BLU	X20.4-72
64	14-BLU	X20.4-73
65	14-BLU	X20.4-74
66	14-BLU	X20.4-75
67	14-BLU	X20.4-76
68	14-BLU	X20.4-77
69	14-BLU	X20.4-78
70	14-BLU	X20.4-79
71	14-BLU	X20.4-80
72	14-BLU	X20.4-81
73	14-BLU	X20.4-82
74	14-BLU	X20.4-83
75	14-BLU	X20.4-84
76	14-BLU	X20.4-85
77	14-BLU	X20.4-86
78	14-BLU	X20.4-87
79	14-BLU	X20.4-88
80	14-BLU	X20.4-89
81	14-BLU	X20.4-90
82	14-BLU	X20.4-91
83	14-BLU	X20.4-92
84	14-BLU	X20.4-93
85	14-BLU	X20.4-94
86	14-BLU	X20.4-95
87	14-BLU	X20.4-96
88	14-BLU	X20.4-97
89	14-BLU	X20.4-98
90	14-BLU	X20.4-99
91	14-BLU	X20.4-100

WIRE #	AMP	DEVICE CONNECTED
1101	16-RED	K20.4-101
1102	16-RED	K20.4-102
1103	16-RED	K20.4-103
1104	16-RED	K20.4-104
1105	16-RED	K20.4-105
1106	16-RED	K20.4-106
1107	16-RED	K20.4-107
1108	16-RED	K20.4-108
1109	16-RED	K20.4-109
1110	16-RED	K20.4-110
1111	16-RED	K20.4-111
1112	16-RED	K20.4-112
1113	16-RED	K20.4-113
1114	16-RED	K20.4-114
1115	16-RED	K20.4-115
1116	16-RED	K20.4-116
1117	16-RED	K20.4-117
1118	16-RED	K20.4-118
1119	16-RED	K20.4-119
1120	16-RED	K20.4-120
1121	16-RED	K20.4-121
1122	16-RED	K20.4-122
1123	16-RED	K20.4-123
1124	16-RED	K20.4-124
1125	16-RED	K20.4-125
1126	16-RED	K20.4-126
1127	16-RED	K20.4-127
1128	16-RED	K20.4-128
1129	16-RED	K20.4-129
1130	16-RED	K20.4-130
1131	16-RED	K20.4-131
1132	16-RED	K20.4-132
1133	16-RED	K20.4-133
1134	16-RED	K20.4-134
1135	16-RED	K20.4-135
1136	16-RED	K20.4-136
1137	16-RED	K20.4-137
1138	16-RED	K20.4-138
1139	16-RED	K20.4-139
1140	16-RED	K20.4-140
1141	16-RED	K20.4-141
1142	16-RED	K20.4-142
1143	16-RED	K20.4-143
1144	16-RED	K20.4-144
1145	16-RED	K20.4-145
1146	16-RED	K20.4-146
1147	16-RED	K20.4-147
1148	16-RED	K20.4-148
1149	16-RED	K20.4-149
1150	16-RED	K20.4-150

WIRE #	AMP	DEVICE CONNECTED
1151	16-RED	K20.4-151
1152	16-RED	K20.4-152
1153	16-RED	K20.4-153
1154	16-RED	K20.4-154
1155	16-RED	K20.4-155
1156	16-RED	K20.4-156
1157	16-RED	K20.4-157
1158	16-RED	K20.4-158
1159	16-RED	K20.4-159
1160	16-RED	K20.4-160

UL508A NOTES:

- * WIRE AMP IN THIS COLUMN APPLIES TO WIRING INTERNAL TO HOST CONTROL PANEL.
- FIELD WIRING REQUIREMENTS ARE SHOWN BELOW APPROPRIATE TERMINAL BOARD.
- TO MAINTAIN ENCLOSURE TYPE 4, TYPE 12 RATING OF THE ENCLOSURE, USE CORROSION AND SEALING FITTINGS WITH A TYPE 4 AND TYPE 12 RATING.
- ALL PANEL COMPONENTS MUST BE LABELED TO MATCH SCHEMATIC WIRING DIAGRAM DESIGNATIONS.
- USE COPPER CONDUCTORS ONLY FOR ALL FIELD TERMINALS.
- SINGLE TERMINAL GROUND AND GROUNDED SEALING GROUNDING CONDUCTOR ONLY. DO NOT USE FOR PANEL WIRING.
- LABEL FUSE BASES WITH FUSE USE SYMBOL AND SIZE IN AMPERES USING A PERMANENT LABEL.
- ADJACENT TO TRANSFORMER LABEL FUSE SYMBOL AND AMPACITY.
- LABEL TERMINAL BLOCKS WITH ALPHANUMERIC CODE SHOWN ON WIRING DIAGRAM USING PERMANENT MARKER.

SYMBOL DESIGNATIONS

- A110 - INDUCTION RESONANT
- A75 - SLES MOTOR MONITOR
- F21-F23 - HOST CIRCUIT FUSING
- F24-F26 - BRK CIRCUIT FUSING
- F28-F28 - BLOWER FAN CIRCUIT FUSING
- F100 - CONTROL TRANSFORMER
- F101-F102 - T100 PRIMARY FUSING
- G21 - HOST BRK RECIPER
- G22 - HOST MOTOR RECIPER
- K26 - BLOWER MOTOR CONTACTOR
- K7A - BRK RELAY
- K7B - BRK RELAY
- L20 - HOST INVERTER
- L21 - HOST BRK RESISTOR
- S200 - GEARED LIMIT SWITCH
- S201 - OPERATING UPPER LIMIT BRKSS
- S202 - EMERGENCY UPPER LIMIT RESET
- S203 - OPERATING LOWER LIMIT BRKSS
- S204 - EMERGENCY LOWER LIMIT RESET
- S205 - UPPER BLOCK LIMIT SWITCH
- S206 - LOWER BLOCK LIMIT SWITCH
- M21 - HOST MOTOR
- R221 - HOST MOTOR BRK
- R222 - HOST PFC BRKCH RESISTOR
- R223 - HOST MOTOR PFC THERMISTOR
- X20 - TERMINAL BLOCKS
- PE - FRAME GROUND

TERMINAL BLOCKS:

- X20.1 - 12 AWG WIRE 70°C (167°F) COPPER CONDUCTORS
- X20.2 - 12 AWG WIRE 70°C (167°F) COPPER CONDUCTORS
- X20.3 - 12 AWG WIRE 70°C (167°F) COPPER CONDUCTORS
- X20.4 - 12 AWG WIRE 70°C (167°F) COPPER CONDUCTORS
- X20.5 - 12 AWG WIRE 70°C (167°F) COPPER CONDUCTORS

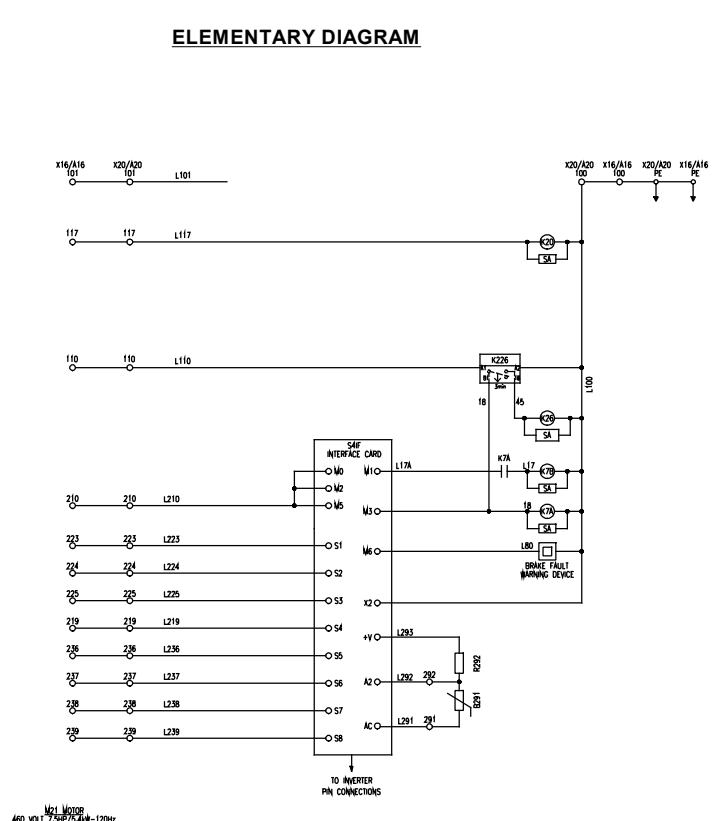
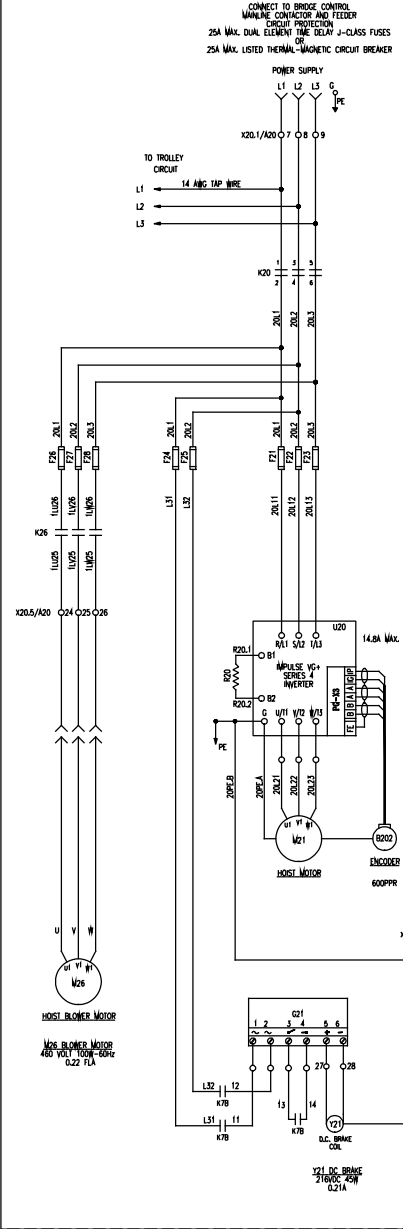
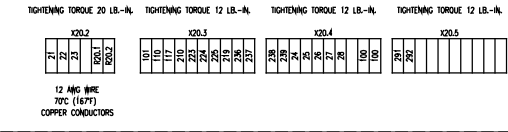
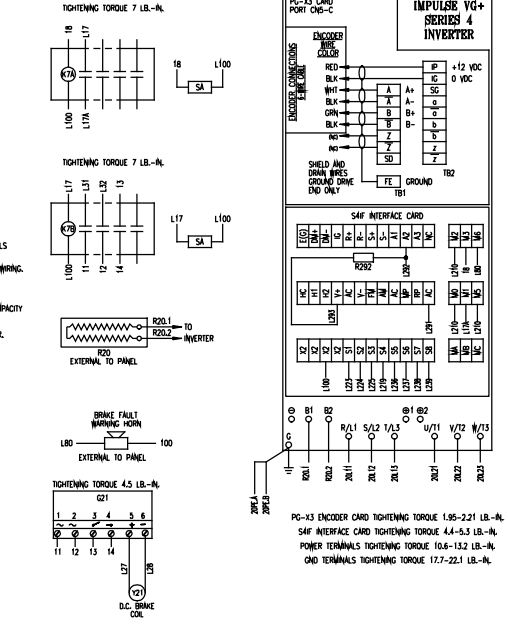
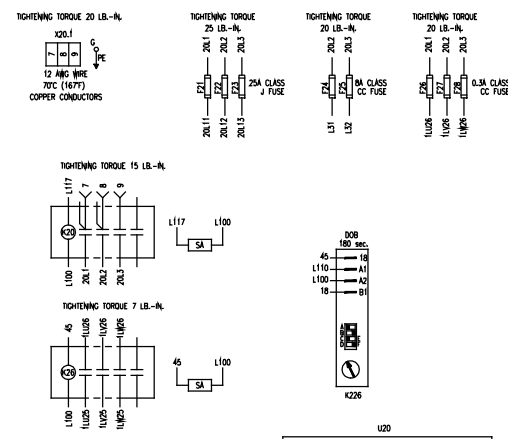
WARNING:

THIS EQUIPMENT MUST BE EFFECTIVELY GROUNDED ACCORDING TO APPLICABLE CODES.

ADVERTISEMENT:

GET EQUIPMENT DOT ETE MS AVALI TERE EN ACCORDANCE AEC LES NIPRES EN NODER.

FIRST USED ON PRODUCT ONE



UL508A HOIST CONTROL PANEL	
VOLTAGE	460V
PHASES	3 PH.
FREQUENCY	60 Hz
TOTAL FLA	18.6A
LARGEST MOTOR FLA	11.5A
LONGEST MOTOR TIME RATE	6 MIN ON-4 MIN OFF (IEC 60% DUTY)
SCCR (KA)	5KA
GROUP OCP	28.8A
MAX FUSE	25A
MAX CIRCUIT BREAKER	25A
MAX VOLTAGE	460V
ENCLOSURE TYPE	4 / 12
INPUT TERMINAL ID	X20.1: 7, 8, 9
WIRING DIAGRAMS	45656103 45656104 45656201

COLUMBUS MCKINNON CORPORATION							
122416	AD	FUSED MTR FAN BRK HORN WIRE LB.	45656103	RDW	Drawn	02/24/2018	RTB
122416	AC	REVISED FEEDER COP SIZE	11/12/2015	RTB	Approved	02/24/2018	
122416	DR	PASSED CUSTOMER DATA	12/10/2018	RTB	Order Approval		
ECN	Rev	Description of change	Draw	By	Original Scale	NONE	

WIRING DIAGRAM - YK/SK HOIST VG-54 FLUX VECTOR CONTROL TYPE B: BLS, GLS, PTC, SLE3 A20 PANEL - UL508A

D 45656104