

**Drawing number****04 438 05 13 0**

Stromlaufplan

|   |   |              |
|---|---|--------------|
| Control / Steuerung                           | SH4   |              |
| Hoist Motor / Hubmotor                        | 12/2H42                                       |              |
| Type / Ausführung                             | A (control with transformer + main contactor) |              |
| Overload Device /<br>Lastwächter              | SLE21 / SMC21<br>SLE22 / SMC22                |              |
| Voltage / Spannung                            | 440-480V, 575-600V / 110/120V 60Hz            |              |
|   | 380-415V / 110/120V 50Hz                      |              |
| Fuses / Sicherungen                           | F41-43  | 6A Class CC  |
|   | F101-102                                      | 1A Class CC  |
| Fuses / Sicherungen<br>by customer / bauseits | main fuse                                     | 15A Class CC |

| Document<br>Dokument                    | Sheet<br>Blatt |
|---|----------------|
| BILL OF MATERIALS<br>GERÄTELISTE        | 1 (1)          |
| POWER SUPPLY<br>STROMVERSORGUNG         | 1 (9)          |
| HOIST<br>HUBWERK                        | 2 (9)          |
| TROLLEY<br>FAHRWERK                     | 4 (9)          |
| CONTROL PENDANT<br>STEUERGERÄT          | 5 (9)          |
| TERMINAL DIAGRAM X16<br>KLEMMENPLAN X16 | 6 (9)          |
| LOCATION DIAGRAM A16<br>AUFBAUPLAN A16  | 8 (9)          |
| CABEL DIAGRAM<br>KABELPLAN              | 9 (9)          |

|              |                   |                       |              |
|--------------|-------------------|-----------------------|--------------|
| Date / Datum | Dept. / Abteilung | Designer / Bearbeiter | Page / Seite |
| 09.07.2014   | TEPE              | Huhndorf              | 1/1          |

**Drawing number**

**04 438 05 13 0**

Stromlaufplan

**BILL OF MATERIALS**

| Lokcat.<br>Ort | Refer.<br>Referenz | Qty.<br>Anzahl | Spezifikation<br>Typ                  | Discription<br>Benennung                             | Fabricate<br>Hersteller | Item Code<br>Sach-Nr. |
|----------------|--------------------|----------------|---------------------------------------|--|-------------------------|-----------------------|
| +A16           | -A275*             | 1              | SLE21 110/120V                        | OVERLOAD DEVICE                                      | STAHL                   | 579 510 0             |
|                |                    | 1              | SMC21 110/120V                        | LASTWÄCHTER  | STAHL                   | 582 114 0             |
|                |                    | 1              | SLE22 110/120V                        |  | STAHL                   | 579 573 0             |
|                |                    | 1              | SMC22 110/120V                        |  | STAHL                   | 582 120 0             |
| +A16           | -F41-F43           | 3              | USBCC1                                | FUSE HOLDER<br>SICHERUNGSTRENNER                     | FERRAZ                  | 510 078 0             |
|                |                    | 3              | ATDR6 10x38 6A                        | FUSE LINK<br>SCHMELZEINSATZ                          | FERRAZ                  | 510 083 0             |
| +A16           | -F101-F102         | 2              | USBCC1                                | FUSE HOLDER<br>SICHERUNGSTRENNER                     | FERRAZ                  | 510 078 0             |
|                |                    | 2              | ATDR1 10x38 1A                        | FUSE LINK<br>SCHMELZEINSATZ                          | FERRAZ                  | 510 466 0             |
| +A16           | -G21               | 1              | 1/024.000.6 3A                        | RECTIFIER<br>GLEICHRICHTER                           | MAYR                    | 04 430 00 88 0        |
| +A16           | -K10               | 1              | LC1-D12 G7                            | CONTACTOR<br>SCHÜTZ                                  | TELEMECANIQUE           | 582 022 0             |
|                |                    | 1              | LAD-N11G                              | AUXILIARY CONTACT BLOCK<br>HILFSSCHALTERBLOCK        | TELEMECANIQUE           | 582 069 0             |
| +A16           | -K23-K24           | 2              | LC1-D12 G7                            | CONTACTOR<br>SCHÜTZ                                  | TELEMECANIQUE           | 582 022 0             |
|                |                    | 2              | LAD-N22G                              | AUXILIARY CONTACT BLOCK<br>HILFSSCHALTERBLOCK        | TELEMECANIQUE           | 582 072 0             |
| +A16           | -K25               | 1              | LC1-D128 G7                           | CONTACTOR<br>SCHÜTZ                                  | TELEMECANIQUE           | 582 045 0             |
| +A16           | -K41-K42           | 1              | LC2-K09 G7                            | CONTACTOR<br>SCHÜTZ                                  | TELEMECANIQUE           | 579 472 0             |
| +A16           | -K45               | 1              | LC1-K09008 G7                         | CONTACTOR<br>SCHÜTZ                                  | TELEMECANIQUE           | 579 473 0             |
| +A16           | -S220              | 1              | GE-S125.04                            | GEAR-TYPE LIMIT SWITCH<br>GETRIEBEENDSCHALTER        | STROMAG                 | 580 005 0             |
| +A16           | -S260/-S261        | 2              | E 215-16-11B                          | PUSH BUTTON<br>DRUCKTASTER                           | ABB                     | 578 553 0             |
| +A16           | -T100*             | 1              | RSTN 63-UL-CSA<br>440-460-480V / 115V | TRANSFORMER<br>TRANSFORMATOR                         | RIEDEL                  | 579 566 0             |
|                |                    | 1              | RSTN 63-UL-CSA<br>550-575-600V / 115V | TRANSFORMER<br>TRANSFORMATOR                         | RIEDEL                  | 579 567 0             |
|                |                    | 1              | RSTN 63-UL-CSA<br>380-400-415V / 115V | TRANSFORMER<br>TRANSFORMATOR                         | RIEDEL                  | 579 581 0             |
|                |                    | 2              | WPE10                                 | PE-TERMINAL<br>SCHUTZLEITERKLEMME                    | WEIDMUELLER             | 519 517 0             |
| +A16           | -X16               | 3              | WDU10                                 | TERMINAL<br>KLEMME                                   | WEIDMUELLER             | 519 512 0             |
|                |                    | 3              | PPE2.5/4                              | PE-TERMINAL<br>SCHUTZLEITERKLEMME                    | WEIDMUELLER             | 519 521 0             |
|                |                    | 17             | PDU2.5/4                              | TERMINAL<br>KLEMME                                   | WEIDMUELLER             | 519 520 0             |
| +A16           | -X16.1             | 2              | PPE2.5/4                              | PE-TERMINAL<br>SCHUTZLEITERKLEMME                    | WEIDMUELLER             | 519 521 0             |
|                |                    | 6              | PDU2.5/4                              | TERMINAL<br>KLEMME                                   | WEIDMUELLER             | 519 520 0             |
| +TR            | -B275              | 1              |                                       | LOAD SENSOR<br>LASTSENSOR                            |                         |                       |
| +TR            | -M21               | 1              |                                       | HOIST MOTOR<br>HUBMOTOR                              |                         |                       |
| +TR            | -M41               | 1              |                                       | TROLLEY MOTOR<br>KATZFAHRMOTOR                       |                         |                       |
| +TR            | -S228              | 1              |                                       | BLOCK OPERATED UPPER LIMT SWITCH<br>ENDSCHALTER (US) |                         |                       |
| +TR            | -S420              | 1              |                                       | TROLLEY LIMIT SWITCH<br>KATZFAHRENSCHALTER           |                         |                       |

\* to note accomplishment / Ausführung beachten!

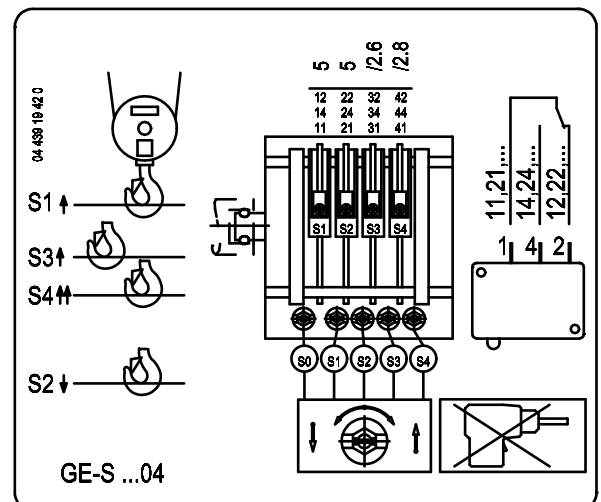
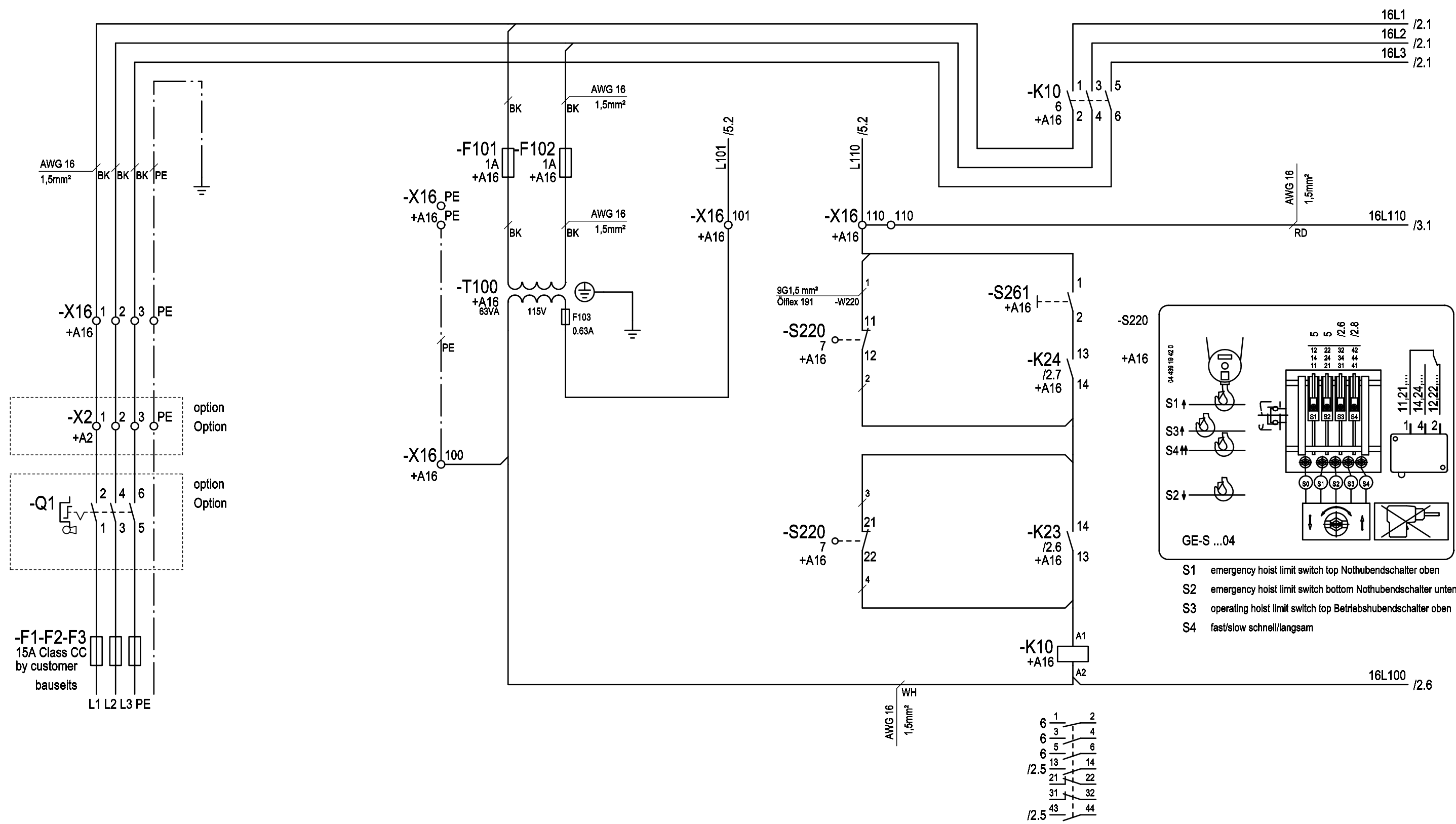
|              |                   |                       |              |
|--------------|-------------------|-----------------------|--------------|
| Date / Datum | Dept. / Abteilung | Designer / Bearbeiter | Page / Seite |
| 09.07.2014   | TEPE              | Huhndorf              | 1/1          |

power supply  
Netzanschluss

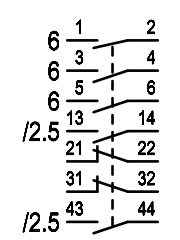
control transformer  
Steuertransformator

emergency hoist limit switch  
Nothubendschalter

crane switch  
Kranschalter



- S1 emergency hoist limit switch top Nothubendschalter oben
- S2 emergency hoist limit switch bottom Nothubendschalter unten
- S3 operating hoist limit switch top Betriebshubendschalter oben
- S4 fast/slow schnell/langsam



| Changes | Date     | Name   | Date       | Name    |
|---------|----------|--------|------------|---------|
|         | 09.07.14 | Huhnd. | 03.07.09   | Huhnd.  |
|         |          |        | 03.07.09   | Nic.    |
|         |          |        | 03.07.09   | Huhnd.  |
| Rev.    |          | Plot   | 09.07.2014 | Rep. by |

|         |          |        |
|---------|----------|--------|
| Rep. by | Rep. for | Origin |
|---------|----------|--------|

|                                      |   |
|--------------------------------------|---|
| Copyright according to DIN ISO 16016 | circuit diagram<br>SH4 H42 type A SLE/SMC<br>power supply |
| Order No.                            | Serial No. xxxxxx   |

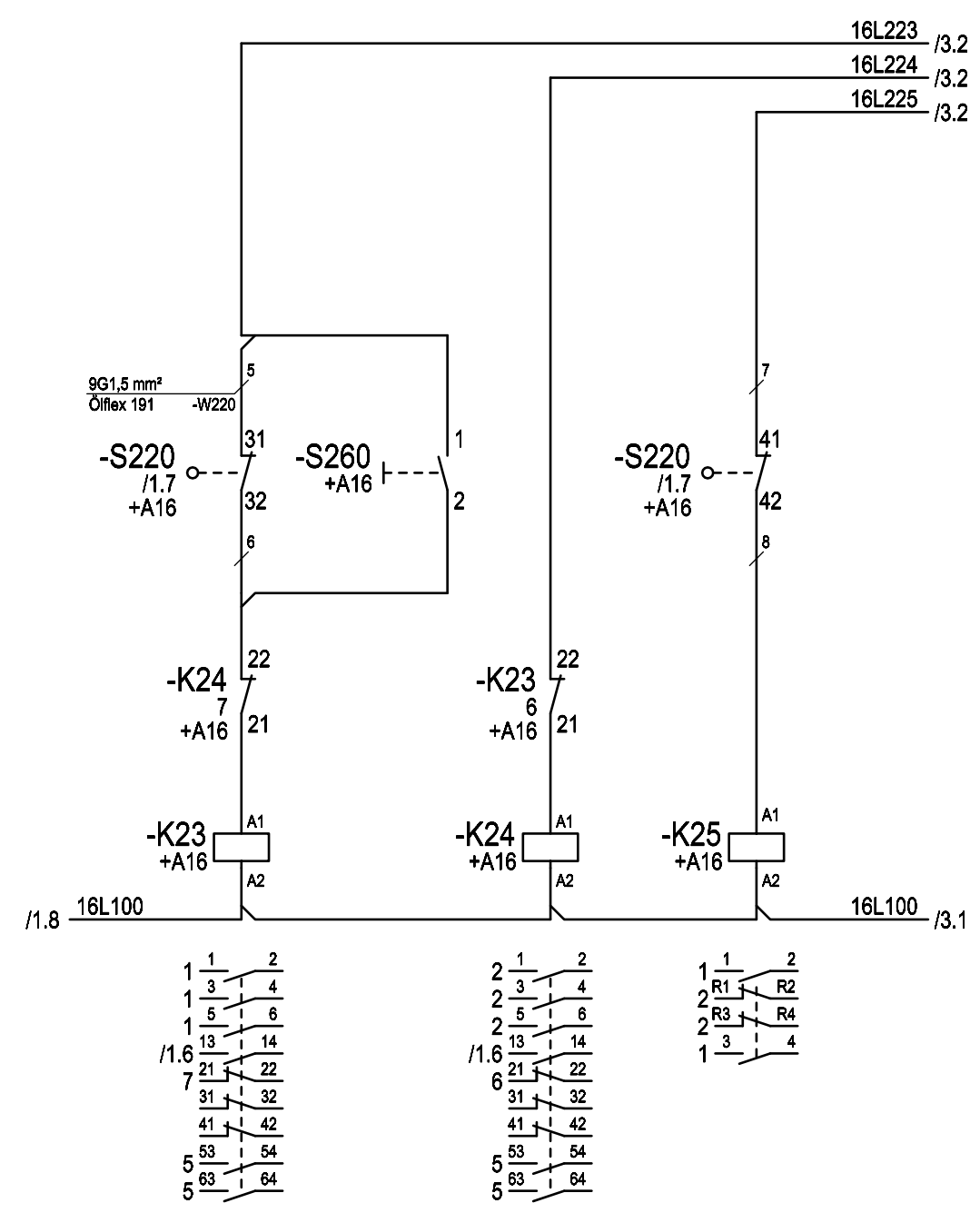
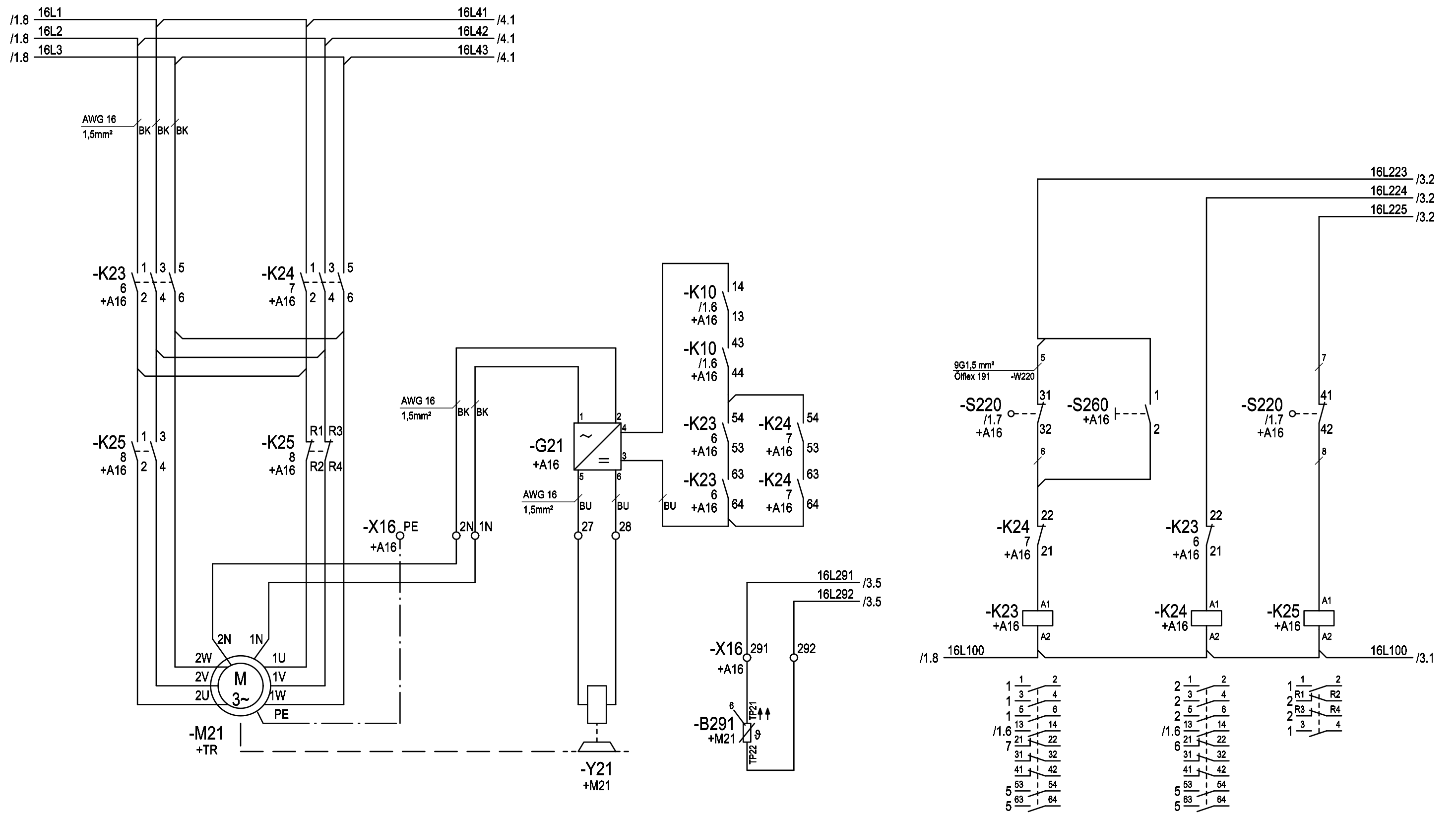
|                |                  |
|----------------|------------------|
| =              |                  |
| +              |                  |
| 04 438 05 13 0 | Page: 1<br>of: 9 |

hoist motor  
Hubmotor

hoisting  
heben

lowering  
senken

fast  
schnell



| Changes | Date     | Name   | Date       | Name    |
|---------|----------|--------|------------|---------|
|         | 09.07.14 | Huhnd. | 03.07.09   | Huhnd.  |
|         |          |        | 03.07.09   | Nic.    |
|         |          |        | 03.07.09   | Huhnd.  |
| Rev.    |          | Plot   | 09.07.2014 | Rep. by |

|          |        |
|----------|--------|
| Rep. for | Origin |
|----------|--------|

|                                      |   |
|--------------------------------------|---|
| Copyright according to DIN ISO 16016 | circuit diagram SH4 H42 type A SLE/SMC hoisting |
| Order No.                            | Serial No. xxxxxx                               |

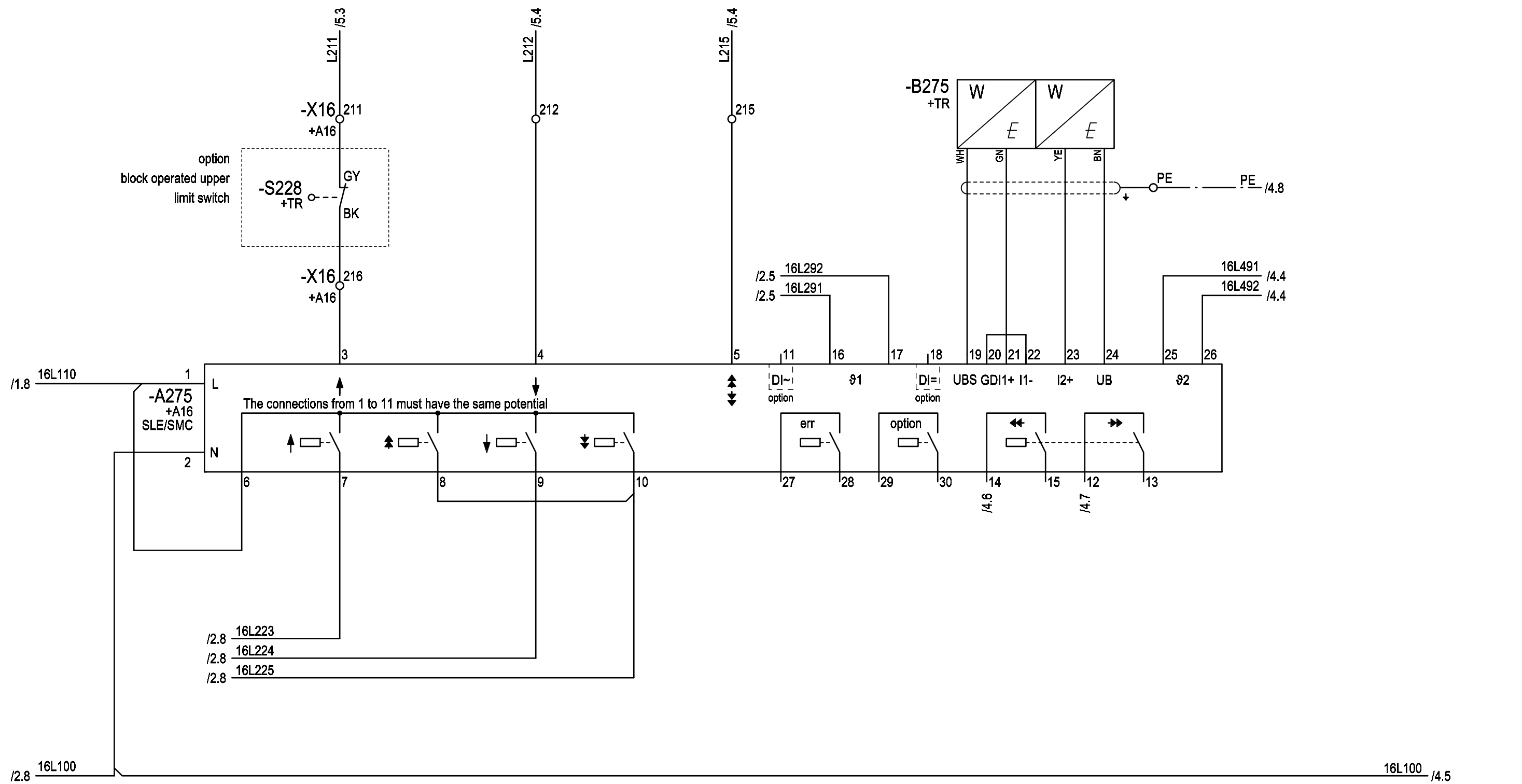
|                |               |
|----------------|---------------|
| =              |               |
| +              |               |
| 04 438 05 13 0 | Page: 2 of: 9 |

hoisting  
heben

lowering  
senken

fast  
schnell

temperature / load monitoring  
Temperatur- / Lastüberwachung



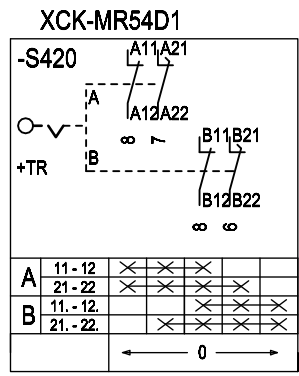
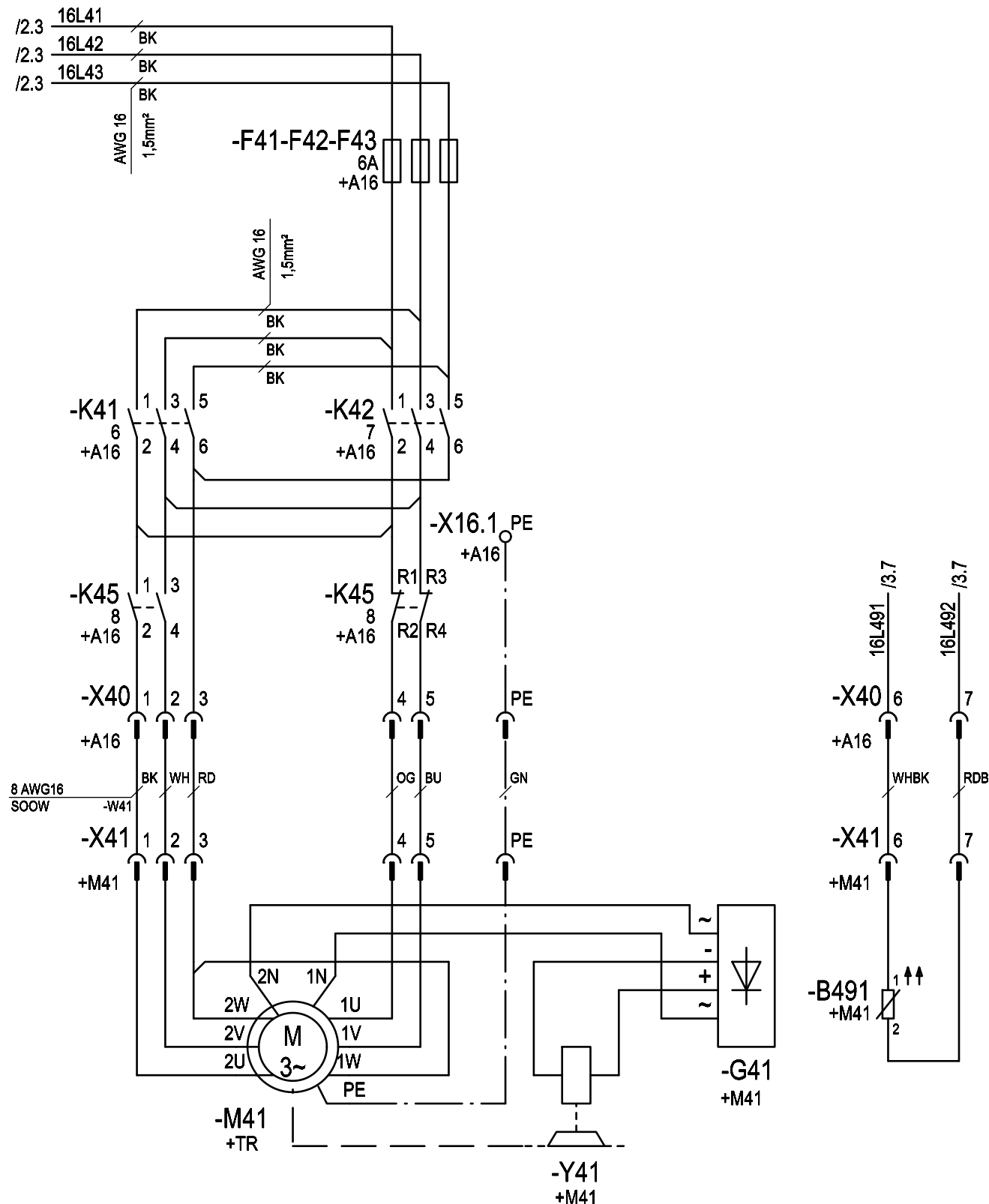
| Changes | Date     | Name   | Date       | Name    |
|---------|----------|--------|------------|---------|
|         | 09.07.14 | Huhnd. | 03.07.09   | Huhnd.  |
|         |          |        | 03.07.09   | Nic.    |
|         |          |        | 03.07.09   | Huhnd.  |
| Rev.    |          | Plot   | 09.07.2014 | Rep. by |

|          |        |
|----------|--------|
| Rep. for | Origin |
|----------|--------|

|                                      |   |
|--------------------------------------|---|
| Copyright according to DIN ISO 16016 | circuit diagram<br>SH4 H42 type A SLE/SMC<br>hoisting |
| Order No.                            | Serial No. xxxxxx                                     |

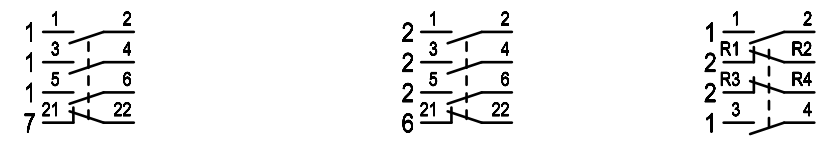
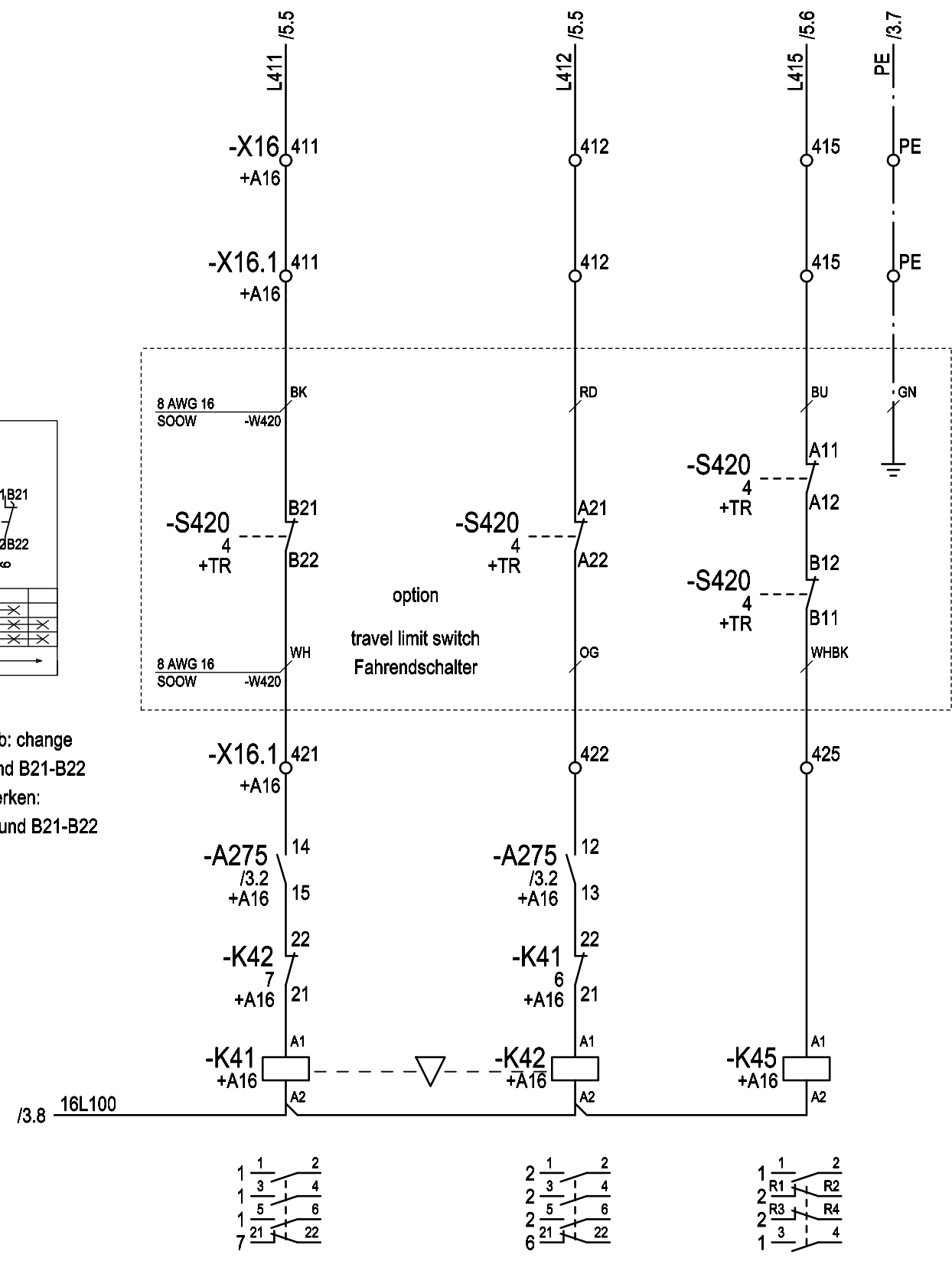
|                |                  |
|----------------|------------------|
| =              |                  |
| +              |                  |
| 04 438 05 13 0 | Page: 3<br>of: 9 |

cross travel motor  
Katzfahrmotor



**Attention!**  
with double-rail crab: change contact A21-A22 and B21-B22  
Bei Obergurttfahrwerken: Kontakte A21-A22 und B21-B22 tauschen

left links  
right rechts  
fast schnell



| Changes | Date     | Name   | Date     | Name   |
|---------|----------|--------|----------|--------|
|         | 09.07.14 | Huhnd. | 03.07.09 | Huhnd. |
|         |          |        | 03.07.09 | Nic.   |
|         |          |        | 03.07.09 | Huhnd. |

|         |          |        |
|---------|----------|--------|
| Rep. by | Rep. for | Origin |
|         |          |        |

|                                      |  |
|--------------------------------------|--|
| Copyright according to DIN ISO 16016 | circuit diagram SH4 H42 type A SLE/SMC trolley |
| Order No.                            | Serial No. xxxxxx                              |

|                |               |
|----------------|---------------|
| =              |               |
| +              |               |
| 04 438 05 13 0 | Page: 4 of: 9 |

option

hoisting gear  
Hubwerk

trolley traveling gear  
Katzfahrwerk

emergency stop  
Not-Halt

hoisting  
heben

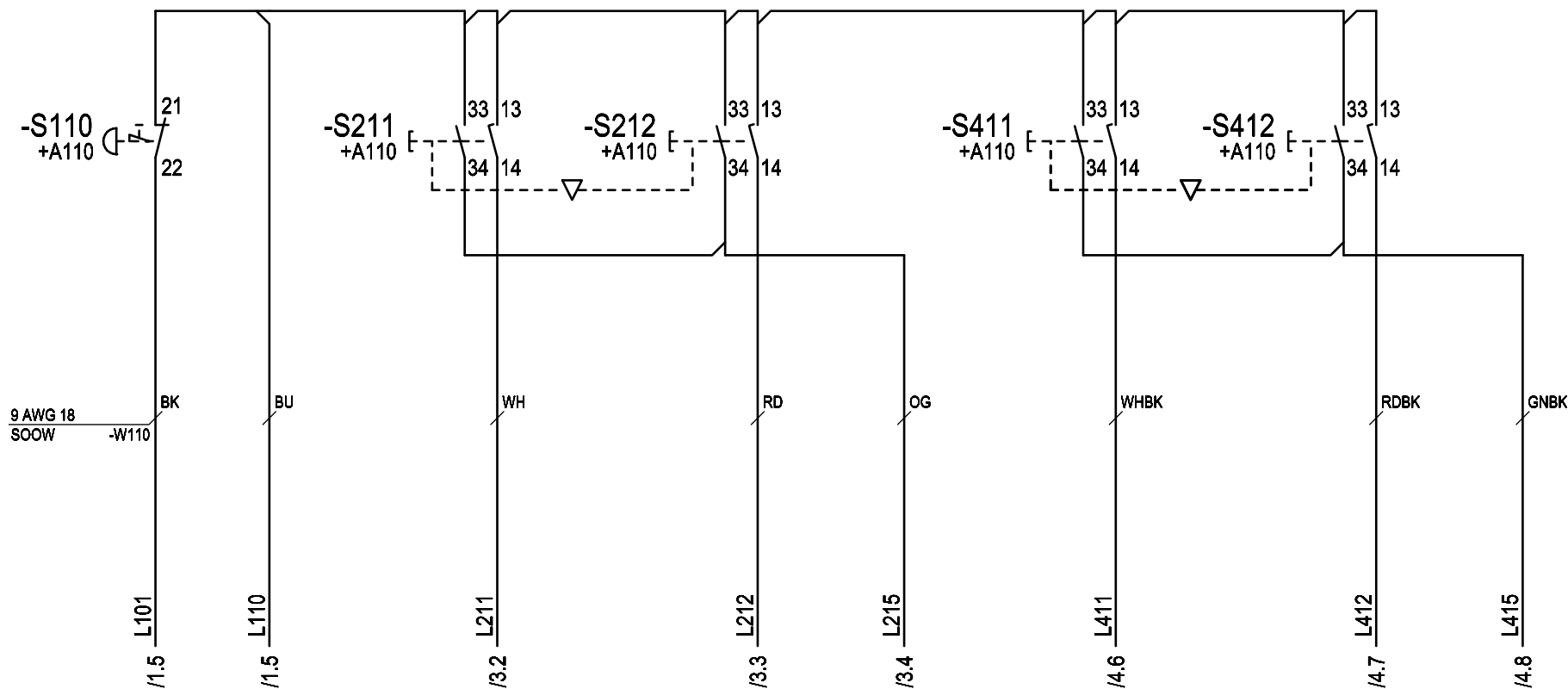
lowering  
senken

fast  
schnell

left  
links

right  
rechts

fast  
schnell



| Rev. | Changes | Date     | Name   | Date       | Name   |
|------|---------|----------|--------|------------|--------|
|      |         | 09.07.14 | Huhnd. | 03.07.09   | Huhnd. |
|      |         |          |        | 03.07.09   | Nic.   |
|      |         |          |        | 03.07.09   | Huhnd. |
|      |         |          |        | 09.07.2014 |        |

|         |          |        |
|---------|----------|--------|
| Rep. by | Rep. for | Origin |
|---------|----------|--------|

|                                      |  |
|--------------------------------------|--|
| Copyright according to DIN ISO 16016 | circuit diagram<br>SH4 H42 type A SLE/SMC<br>control pendant |
| Order No.                            | Serial No. xxxxxx  |

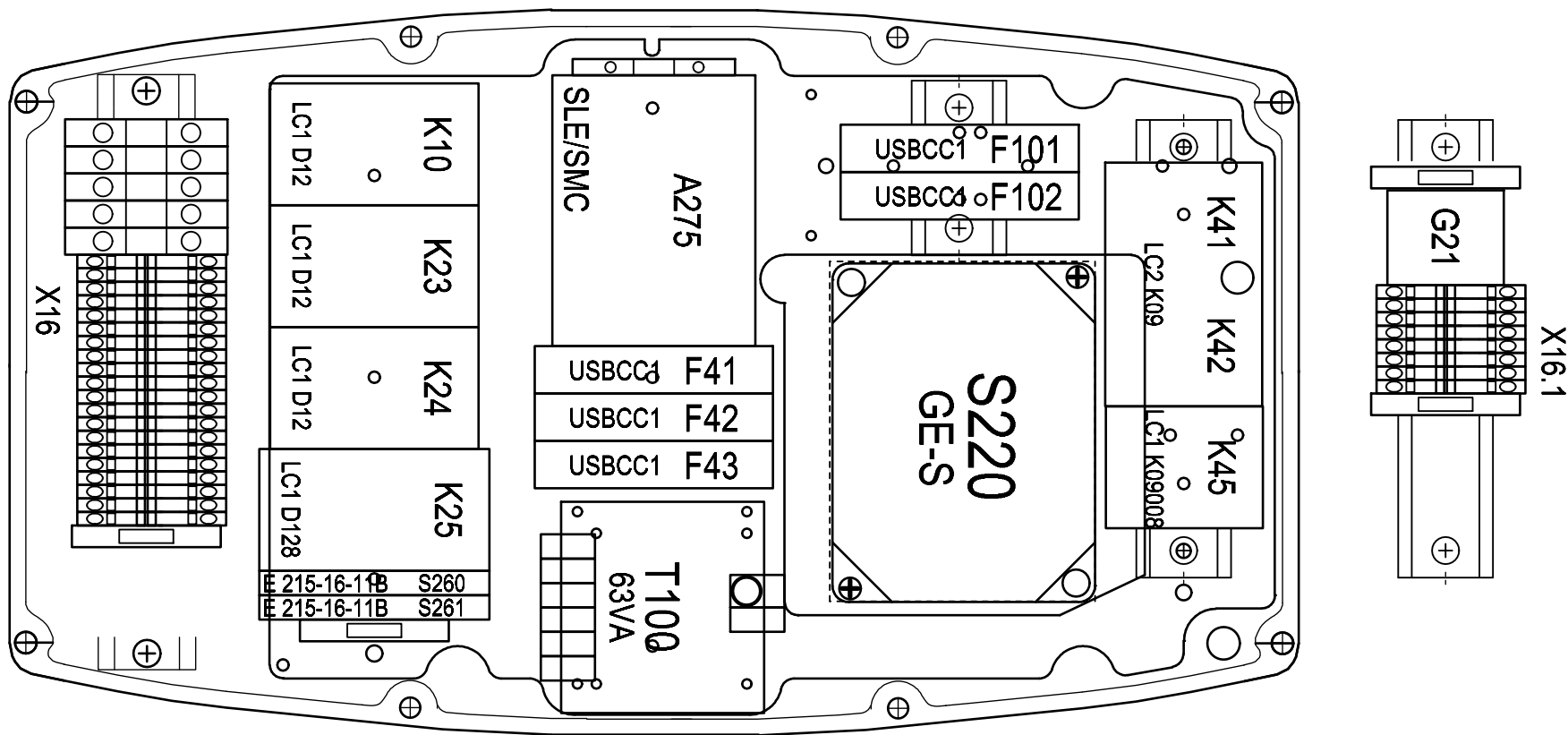
|                |                  |
|----------------|------------------|
| =              |                  |
| +              |                  |
| 04 438 05 13 0 | Page: 5<br>of: 9 |







# GK SH4



| Changes | Date     | Name   | Date       | Name   |
|---------|----------|--------|------------|--------|
|         | 09.07.14 | Huhnd. | 03.07.09   | Huhnd. |
|         |          |        | 03.07.09   | Nic.   |
|         |          |        | 03.07.09   | Huhnd. |
| Rev.    |          |        | 09.07.2014 |        |

|         |          |        |
|---------|----------|--------|
| Rep. by | Rep. for | Origin |
|---------|----------|--------|

|                                      |  |
|--------------------------------------|--|
| Copyright according to DIN ISO 16016 | location diagram SH4 H42 type A SLE/SMC +A16 |
| Order No.                            | Serial No. xxxxxx                            |

|                |               |
|----------------|---------------|
| =              |               |
| +              |               |
| 04 438 05 13 0 | Page: 8 of: 9 |

