

A 26 3/4"

B 8 1/2"

C 11"

D 5"

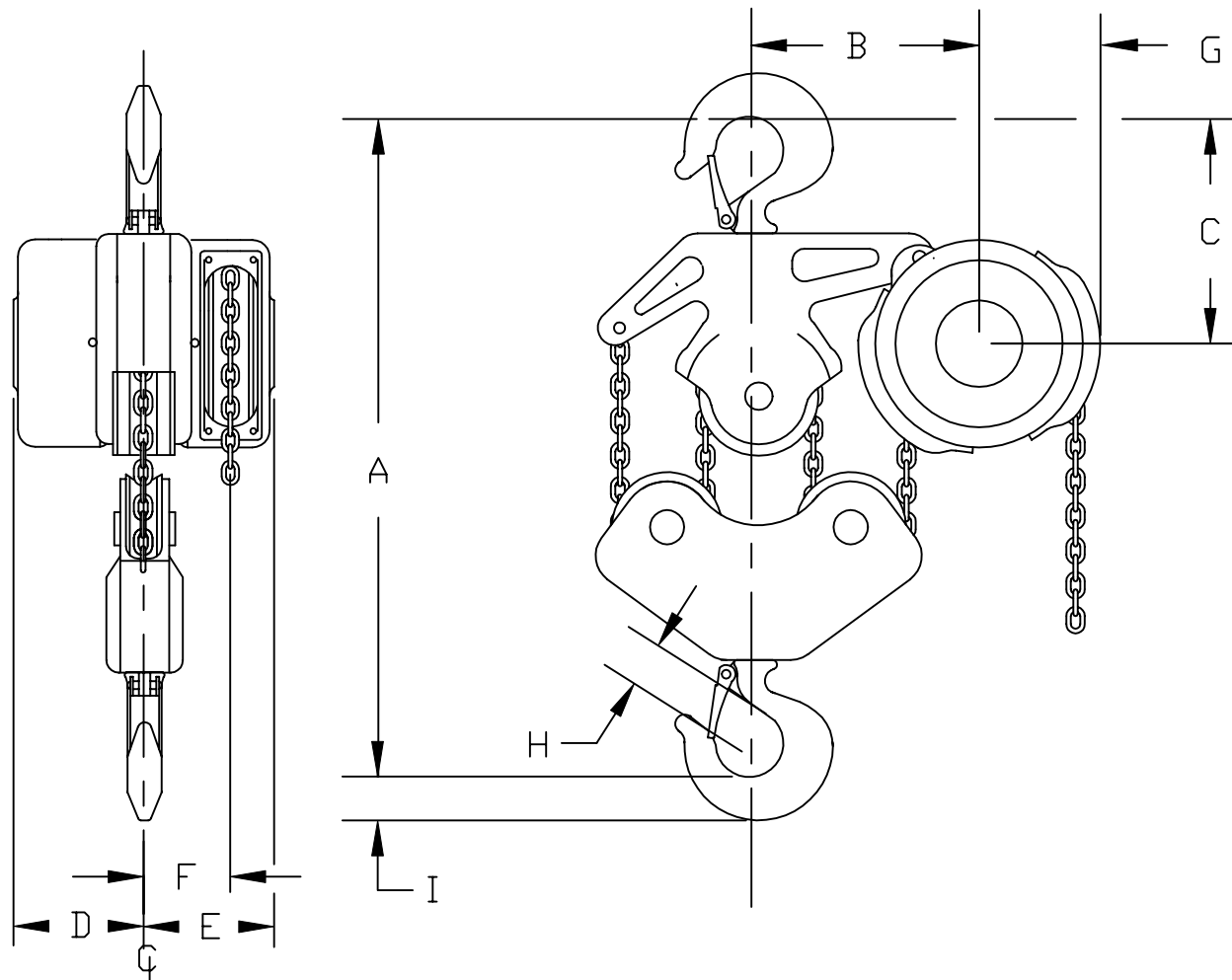
E 5"

F 3 1/4"

G 5 3/4"

\* H 2 1/16"

\* I 2 1/4"



\* DIM. FOR TOP & BOTTOM HOOK

8 TON ZEPHYR  
HOOK SUSPENDED SPUR GEARED HOIST

CHESTER HOIST  
LISBON, OHIO

DR. RLB	TR.	CK.	AP.
SCALE NONE		DATE 6-19-00	
REF. DWG. NO.		ZSGH8	

Dwg. No. CD024

MK.	REVISIONS	CK-DATE
-----	-----------	---------