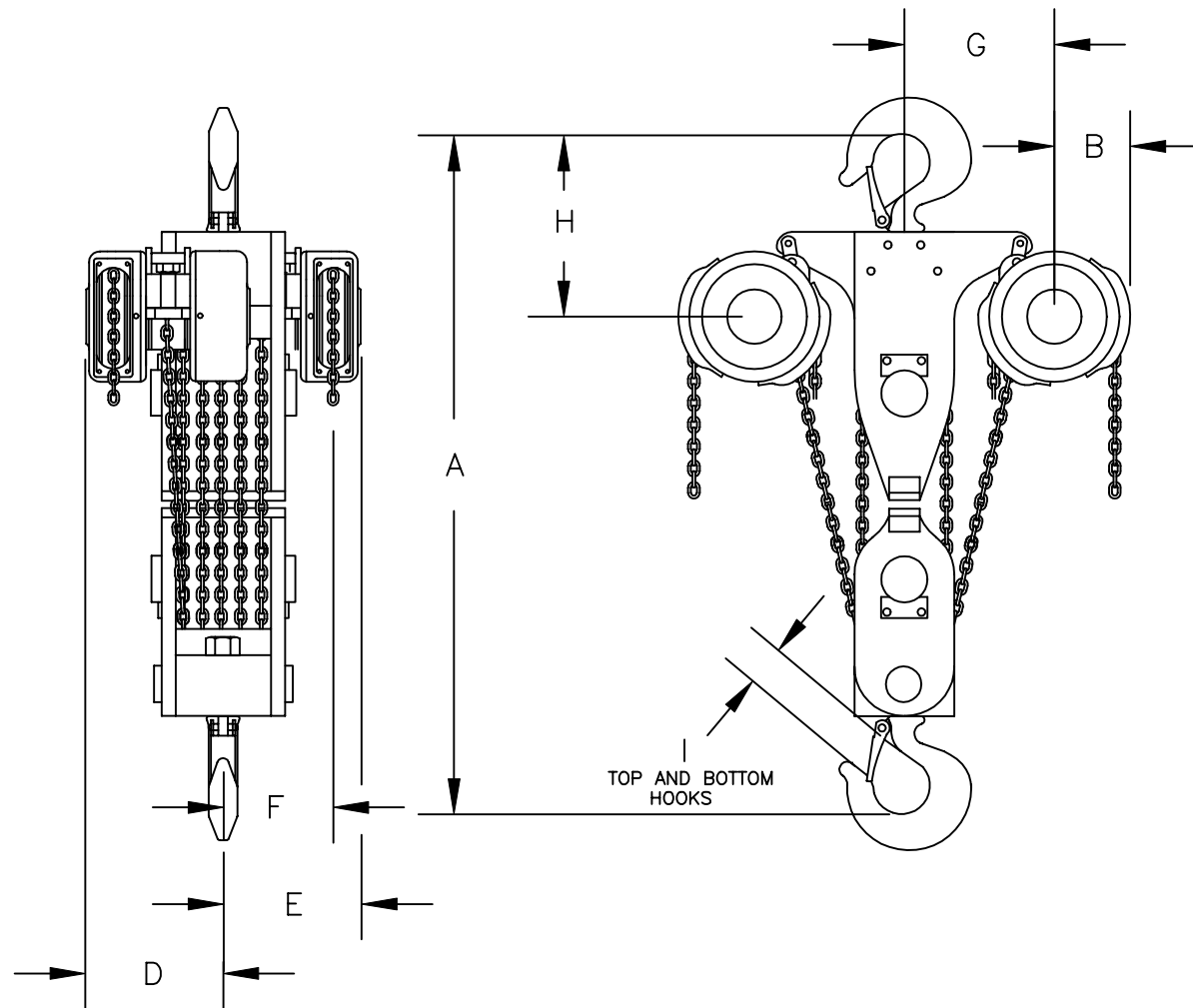


- A 53 1/2"
- B 5 3/4"
- D 8 3/16"
- E 8 3/16"
- F 6 7/16"
- G 11 1/8"
- H 15 1/8"
- I 3 5/8"



16 TON HOOK TYPE SPUR
GEARED HOIST

CHESTER HOIST
LISBON, OHIO

DR. RLB	TR.	CK.	AP.
SCALE NONE		DATE 6-19-00	
REF. DWG. NO. 16HSG			
Dwg. No. CD027			

MK.	REVISIONS	CK-DATE