

A 15 7/8"

B 1 3/4"

C 8 1/8"

D 5"

E 5"

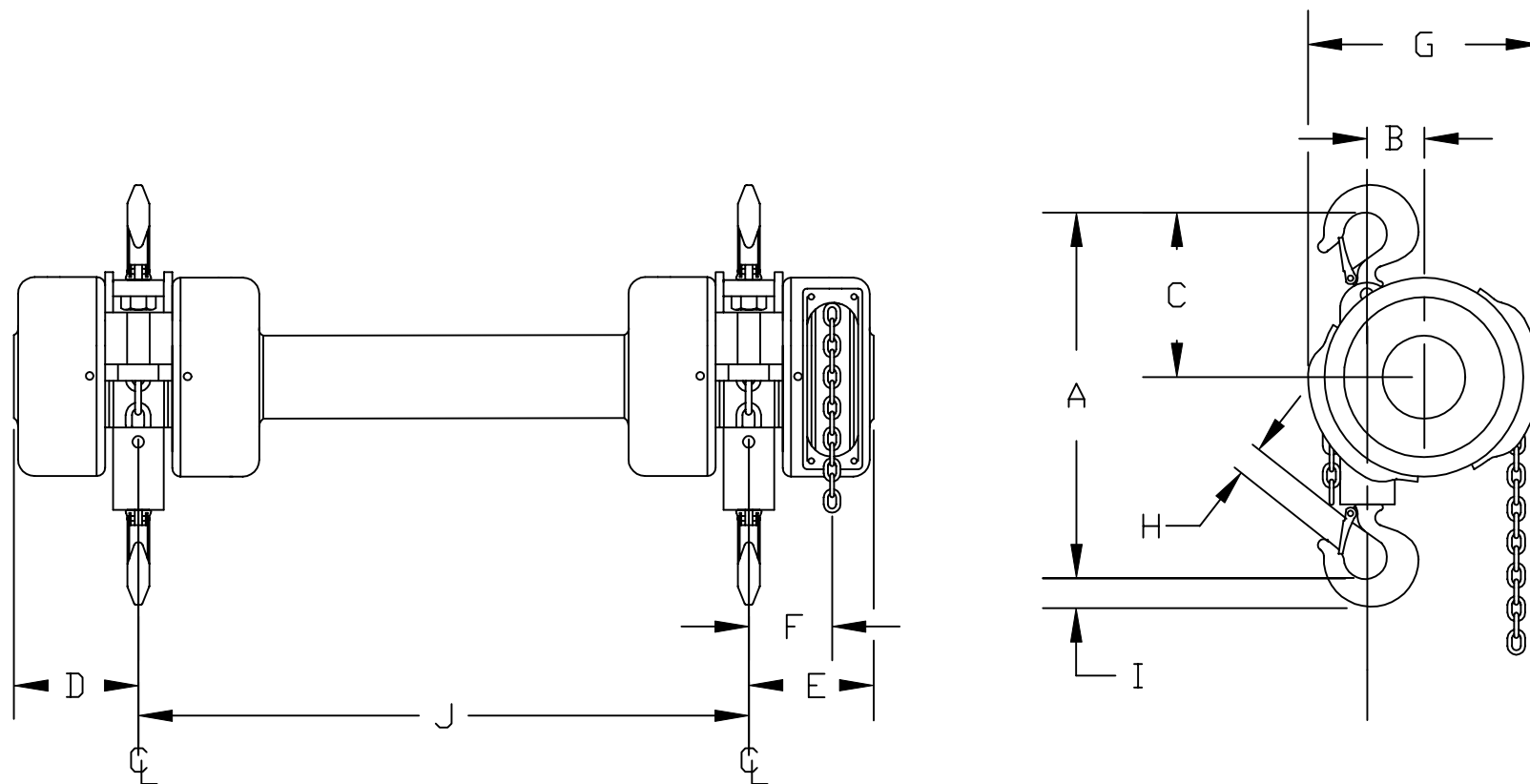
F 3 1/4"

G 11 1/2"

\* H 1 1/8"

\* I 1 9/32"

J 36" STD



\* DIM. FOR TOP & BOTTOM HOOK

1 1/2- 2 TON  
TWIN HOOK SPUR GEARED HOIST

CHESTER HOIST

LISBON, OHIO

DR. RLB	TR.	CK.	AP.
SCALE NONE		DATE 6-19-00	
REF. DWG. NO. 2TTH			

Dwg. No. CD034

MK.	REVISIONS	CK-DATE
-----	-----------	---------