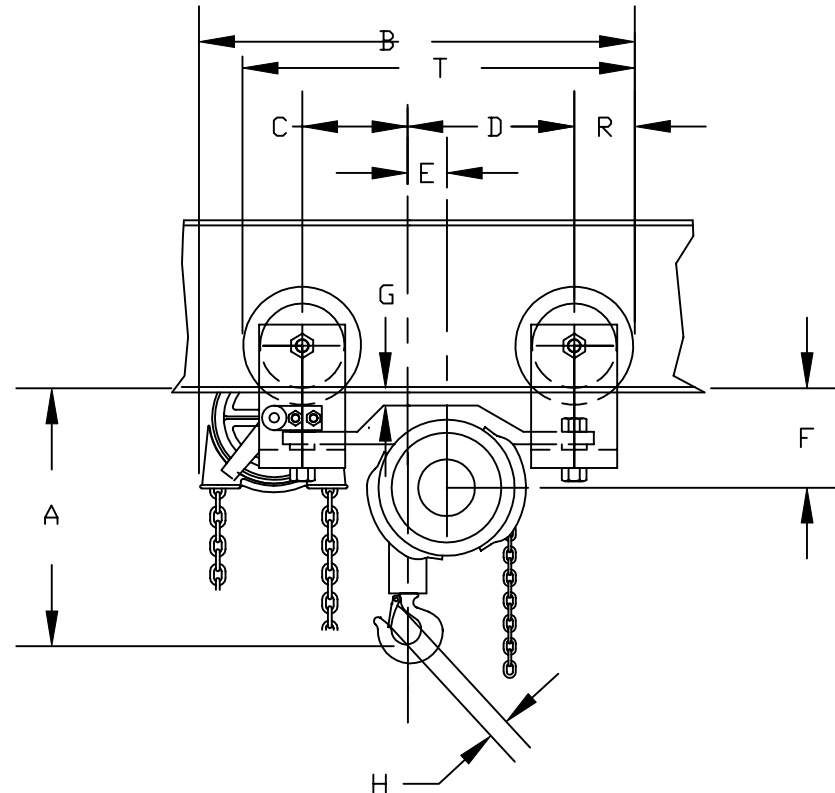
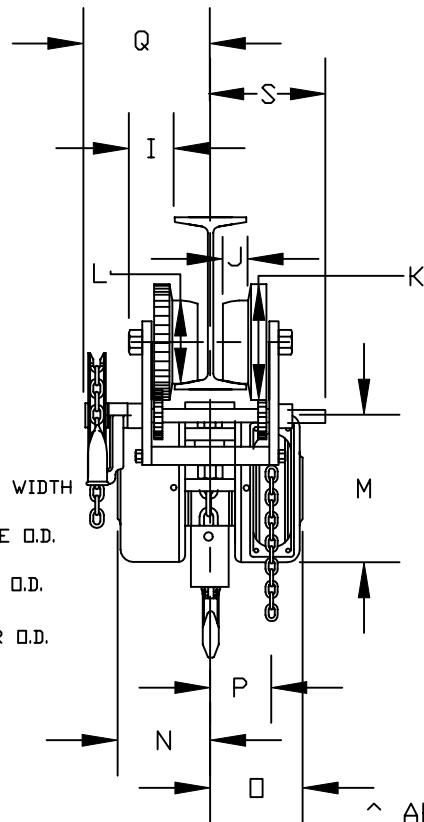


- * A 13 13/16"
- ^ B 27 1/4"
- C 7 1/2"
- D 11"
- E 1 3/4"
- * F 5 3/4"
- * G 3/4"
- H 1 1/8"
- I 2 3/16"
- J 1 7/64" TREAD WIDTH
- K 6" FLANGE O.D.
- L 4 1/2" TREAD O.D.
- M 9 3/4" COVER O.D.
- N 5"
- 5"
- P 3 1/4"
- ^ Q 8 9/16"
- R 3"
- ^ S 4 7/8" (END OF TROLLEY DRIVE SHAFT) BELOW BEAM.
- T 24 1/2"



^ APPLIES TO GEARED UNITS ONLY
 * DIM. TO WHEEL RUNNING SURFACE
 "I" IS THE SAME FOR BOTH SIDES OF THE UNIT
 UNIT ADJUSTABLE FROM S6"X12.5# THROUGH S15"X42.9# BEAM
 CUSTOMER MUST TAKE INTO CONSIDERATION FLANGE WIDTH AND THICKNESS.
 DIM. SHOWN ARE CORRECT FOR ANY "S" OR "W" BEAM...FLAT TREAD WHEELS (NOT SHOWN) ARE SUPPLIED FOR "W" BEAM APPLICATIONS.

1 1/2 & 2 TON ARMY TYPE PLAIN
 AND GEARED TROLLEY HOIST

CHESTER HOIST
 LISBON, OHIO

DR. RLB	TR.	CK.	AP.
SCALE NONE		DATE 6-19-00	
REF. DWG. NO.		2TAG	

Dwg. No. CD042

MK.	REVISIONS	CK-DATE
-----	-----------	---------