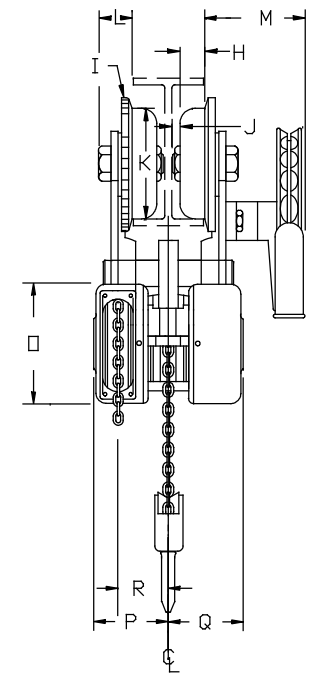
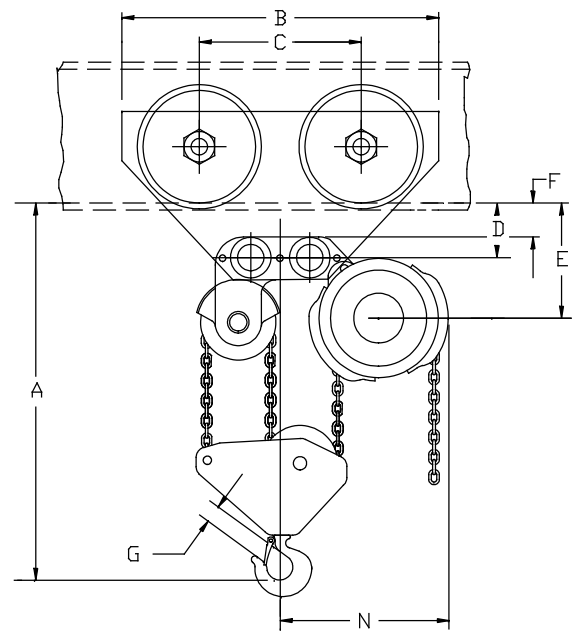


- A 23 7/8"
- B 19 1/2"
- C 10"
- D 3 5/16"
- E 9"
- \*\*F 1 3/8"
- G 1 11/16"
- H 1 13/32"
- I 9"
- J 1/32"
- K 7 3/16"
- L 2 9/16"
- \*M 8 5/8"
- N 11 7/8"
- 9 3/4"
- P 5"
- Q 5"
- R 3 1/4"



\* Applies to geared units only  
 \*\* At closest point of contact  
 This unit is adjustable from 4 5/8" - 8" f.w.  
 Dimensions shown are accurate for  
 "S" & "W" beam shapes

MK.	REVISIONS	CK-DATE

5 & 6 TON ARMY TYPE HOIST

**CHESTER HOIST**  
LISBON, OHIO

DR. RLB	TR.	CK.	AP.
SCALE NONE		DATE 1/21/05	
REF. DWG. NO. 5zatlayclr			
Dwg. No. CD045			