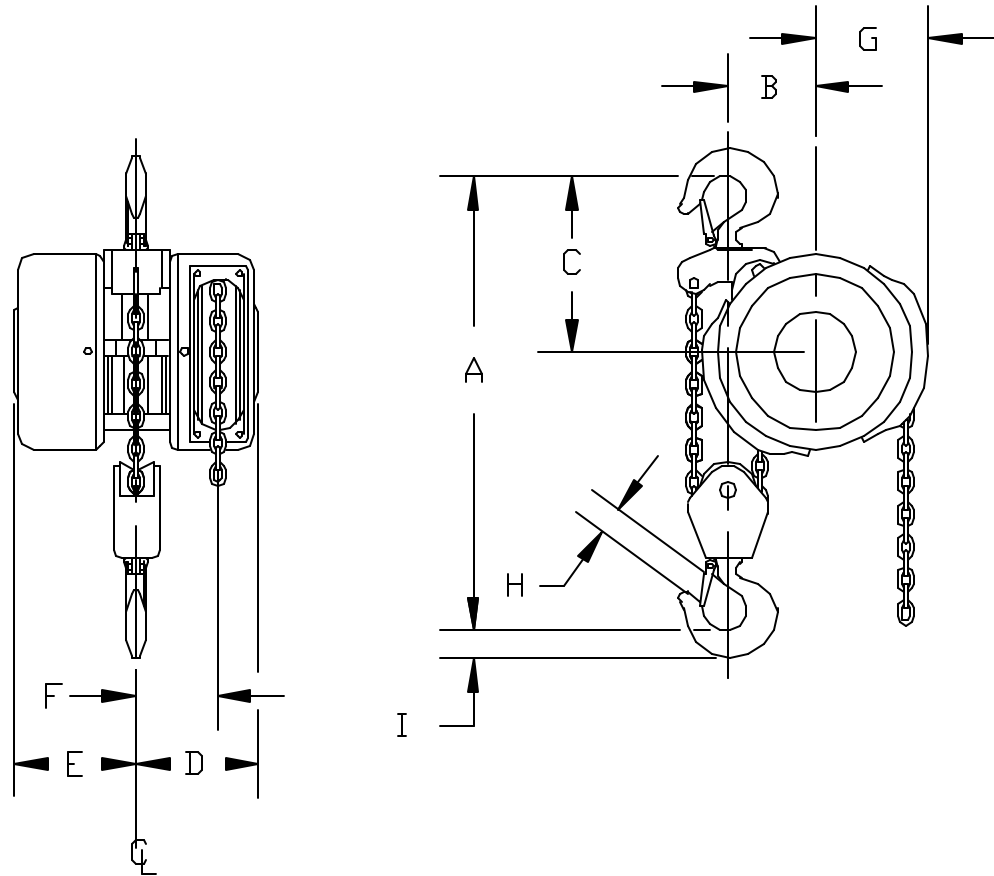


- A 24 1/2"
- B 4 7/8"
- C 9 1/8"
- D 5"
- E 5"
- F 3 1/4"
- G 5 3/4"
- * H 1 11/16"
- * I 1 7/16"



* DIM. FOR TOP & BOTTOM HOOK

4 TON
HOOK SUSPENDED SPUR GEARED HOIST

CHESTER HOIST
LISBON, OHIO

DR. RLB	TR.	CK.	AP.
---------	-----	-----	-----

SCALE NONE	DATE 11/18/02
------------	---------------

REF. DWG. NO	ZSGH3T
--------------	--------

Dwg. No. CD096

REVISIONS	CK-DATE
-----------	---------