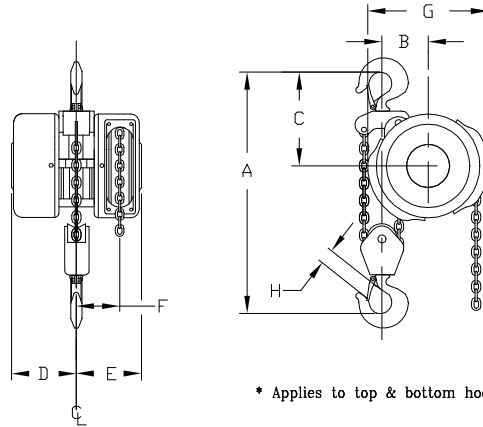


- A 23 1/8"
- B 4 7/8"
- C 10 1/4"
- D 5"
- E 5"
- F 3 1/4"
- G 11 1/2"
- * H 1 11/16"

SPARK RES'T. UNIT



* Applies to top & bottom hook

THIS DRAWING SUPPLIED FOR DIMENSIONAL PURPOSES ONLY
VISUAL DETAILS MAY VARY SLIGHTLY FROM UNIT SUPPLIED
HOWEVER DIMENSIONS SHOWN APPLY

		3 TON HOOK TYPE ZSGH	DR. RLB	TR.	CK.	AP.
		CHESTER HOIST	SCALE NONE		DATE 11/1/07	
		LISBON, OHIO	REF. DWG. NO.			
MK.	REVISIONS	CK-DATE	Dwg. No. CN169			