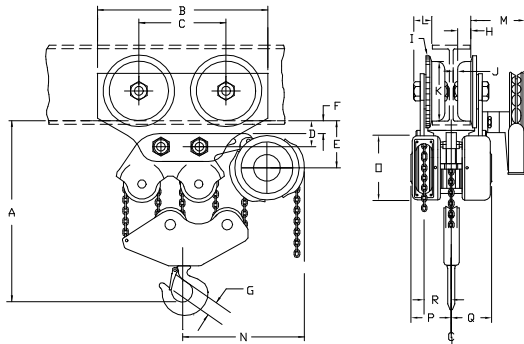


# SPARK RES'T. UNIT

- A 30 3/8"
- B 23 3/4"
- C 12"
- D 3 3/8"
- F 7"
- \*\*F 1 3/8"
- G 3 1/32"
- H 1 3/4"
- I 11 11/16"
- J 1/4"
- K 9 3/4"
- L 3 9/16"
- \*M 9 1/16"
- N 15 15/16"
- O 9 3/4"
- P 5"
- Q 5"
- R 3 1/4"



\* Applies to geared units only  
 \*\* At closest point of contact  
 This unit is adjustable from 5' - 8' f.w.  
 Dimensions shown are accurate for  
 'S' & 'W' beam shapes

THIS DRAWING SUPPLIED FOR DIMENSIONAL PURPOSES ONLY  
 VISUAL DETAILS MAY VARY SLIGHTLY FROM UNIT SUPPLIED  
 HOWEVER DIMENSIONS SHOWN APPLY

		10 TON ARMY TYPE HOIST	DR.RLB	TR.	CK.	AP.
		CHESTER HOIST LISBON, OHIO	SCALE	NONE	DATE	12/14/07
			REF. DWG. NO.	10zatlayclr		
NO.	REVISIONS	CK-DATE	Dwg. No. CN216			