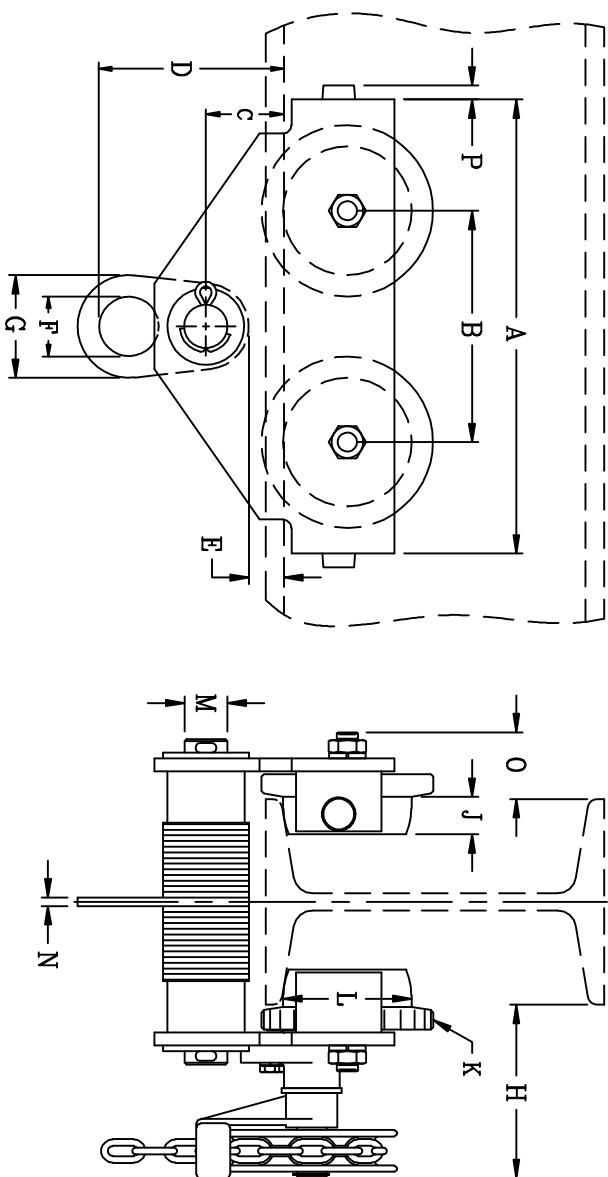


**SPARK RESISTANT**  
 -BRONZE WHEELS  
 -STAINLESS STEEL DROP STOPS  
 -ALUMINUM HAND CHAIN & HAND CHAIN GUARD



- A 13 1/4"
- B 6 3/4"
- \* C 2 1/4"
- \* D 5 3/8"
- \* E 1"
- F 1 3/4"
- G 3"
- \*\* H 5 1/8"
- J 1 1/8" Tread Width
- K 5" Flange O.D.
- L 3 3/4" Tread O.D.
- M 1 1/4"
- N 1 1/4"
- O 1 15/16"
- ~ P 7/16" Rubber Bumper

\* To wheel running surface of beam.  
 \*\* "H" applies to geared units only - For plain units "O" dimension is the same for both sides of trolley.  
 ~ "P" applies only to units with removable rubber bumpers  
 THIS UNIT IS ADJUSTABLE FROM 3"-6", MINIMUM BEAM HEIGHT: 5"  
 CUSTOMER MUST TAKE INTO CONSIDERATION FLANGE WIDTH AND THICKNESS.

1 TON 1641/1642 TROLLEY

CHESTER HOIST  
 LISBON, OHIO

DR. MAM TR. CK. AP.

SCALE NONE DATE 3/2/09

REF. DWG. NO. 1600-1

Dwg. No. C-50043

REVISIONS

CK-DATE

MK: