

WIRING DIAGRAMS

The following wiring diagrams are representative. For actual wiring diagram, refer to the diagram supplied with the hoist. Note: for 575-3-60 units, refer to wiring diagram supplied with hoists.

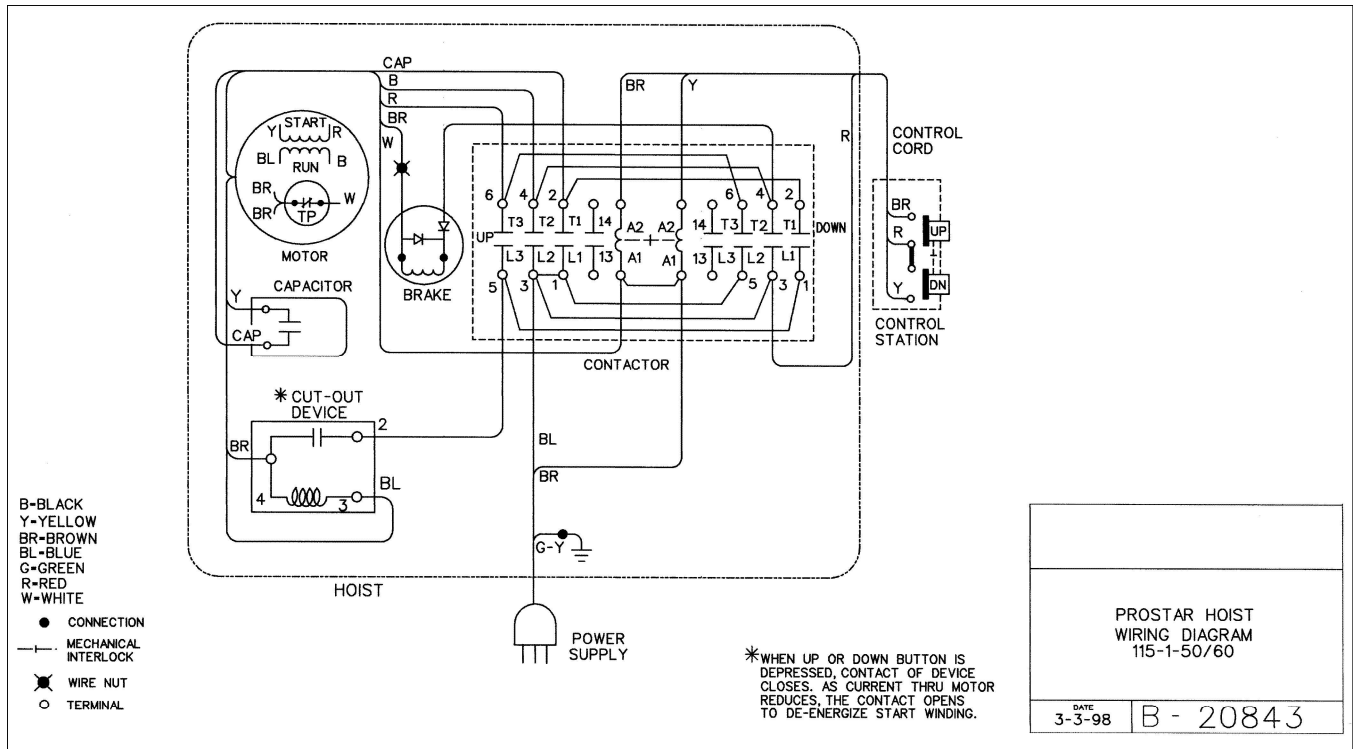


Figure 14 - 115-1-50/60 Hoists with Contactor (Black Control Station)

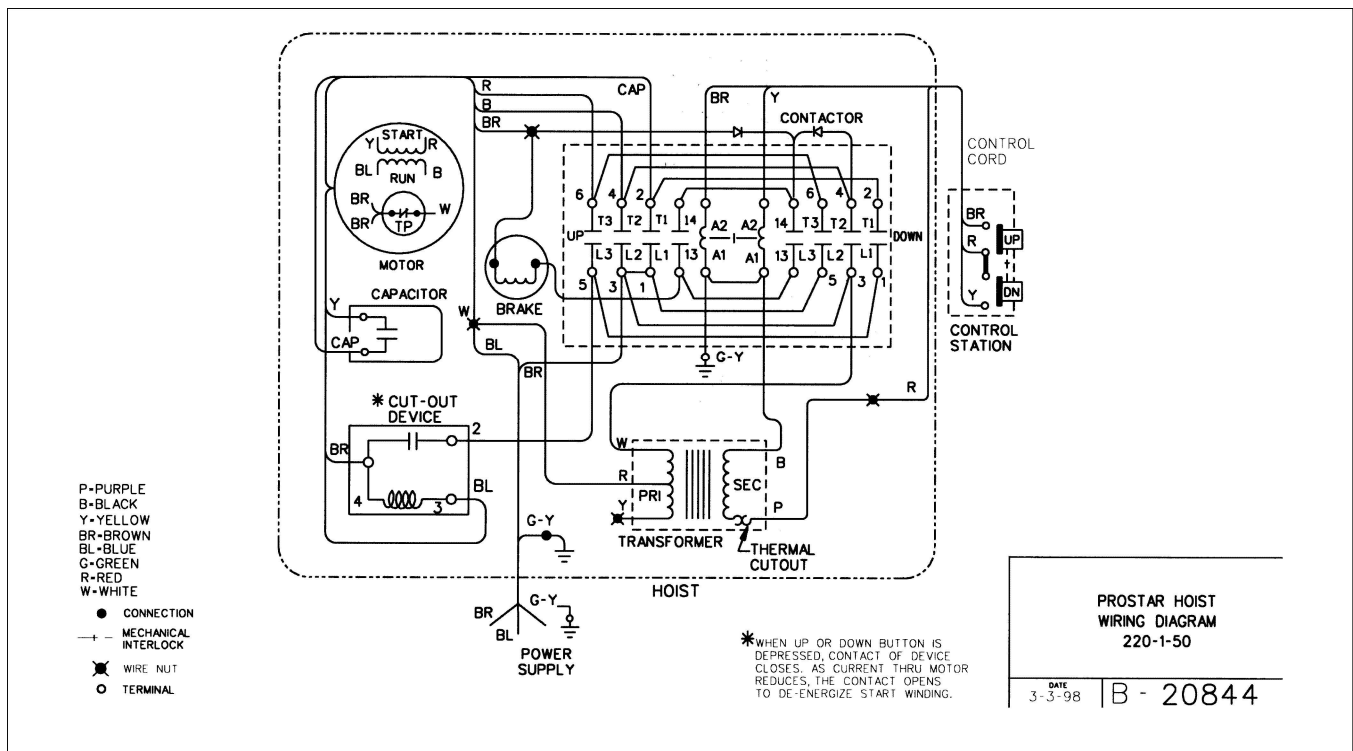


Figure 15 - 220-1-50 Hoists with Contactor (Black Control Station)

WIRING DIAGRAMS

The following wiring diagrams are representative. For actual wiring diagram, refer to the diagram supplied with the hoist. Note: for 575-3-60 units, refer to wiring diagram supplied with hoists.

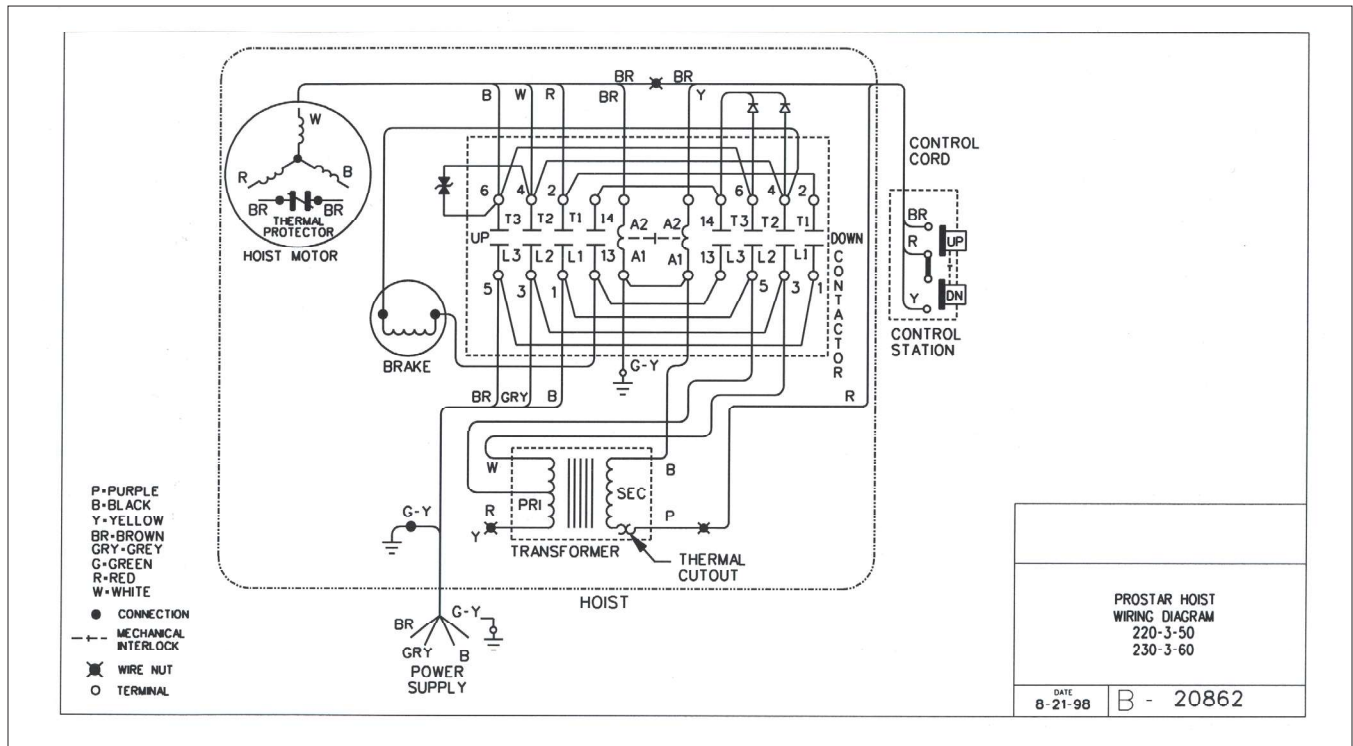


Figure 16 - 220-3-50, 230-3-60 Hoists with Contactor (Black Control Station)

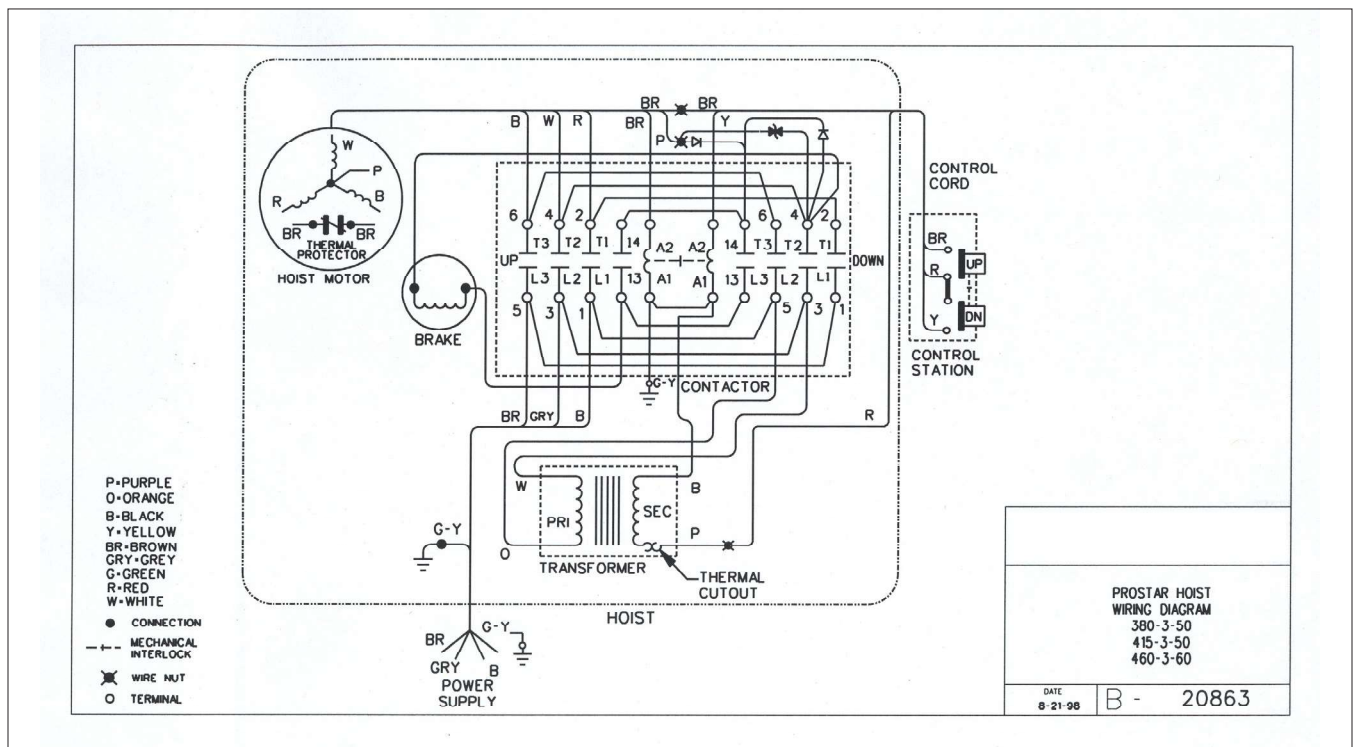


Figure 17 - 380-3-50, 415-3-50, 460-3-60 Hoists with Contactor (Black Control Station)

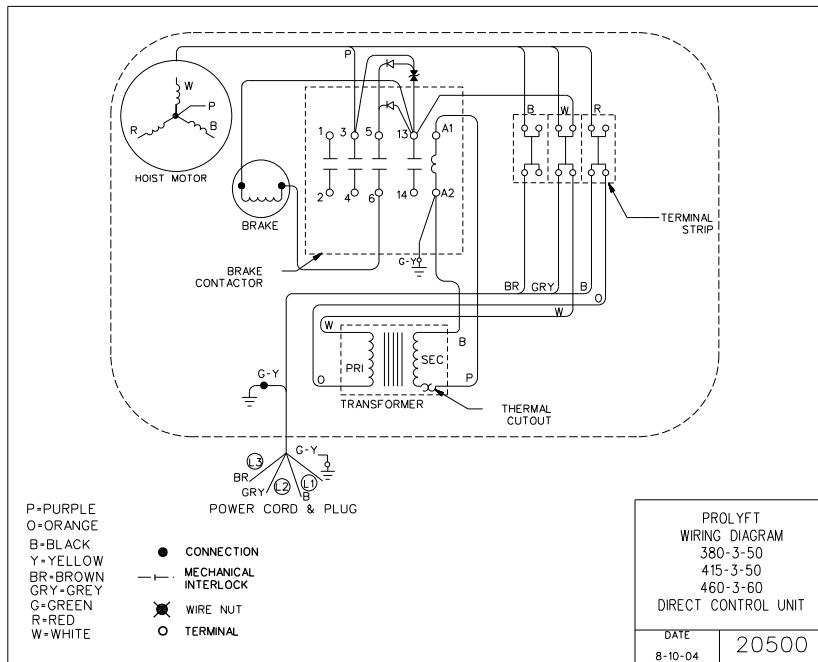


Figure 18 - 415-3-80, 460-6-50/60 Direct Control Unit

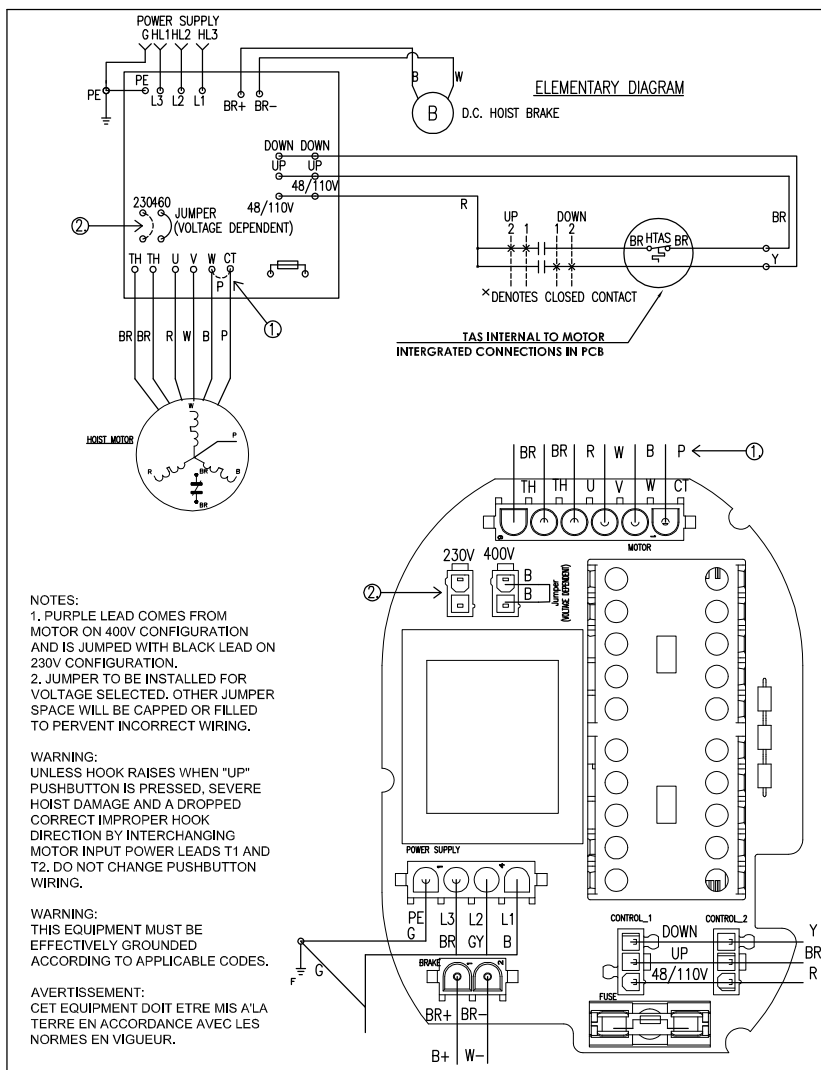


Figure 19 - Printed Circuit Board Boarded Unit