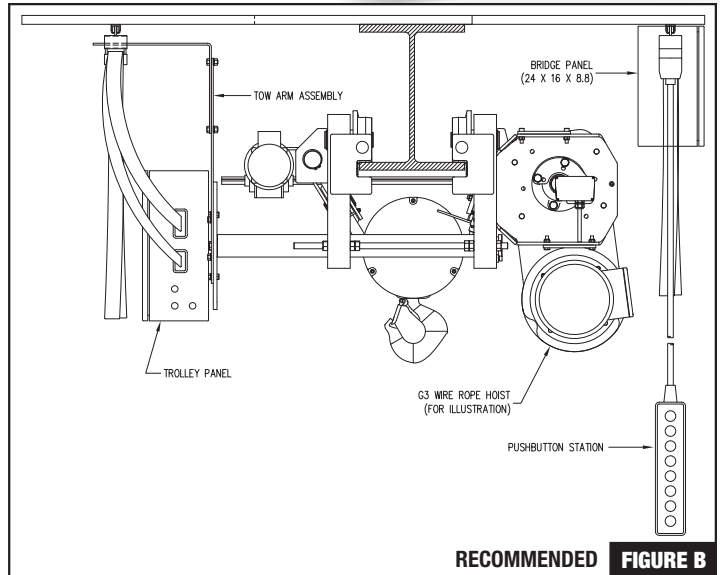
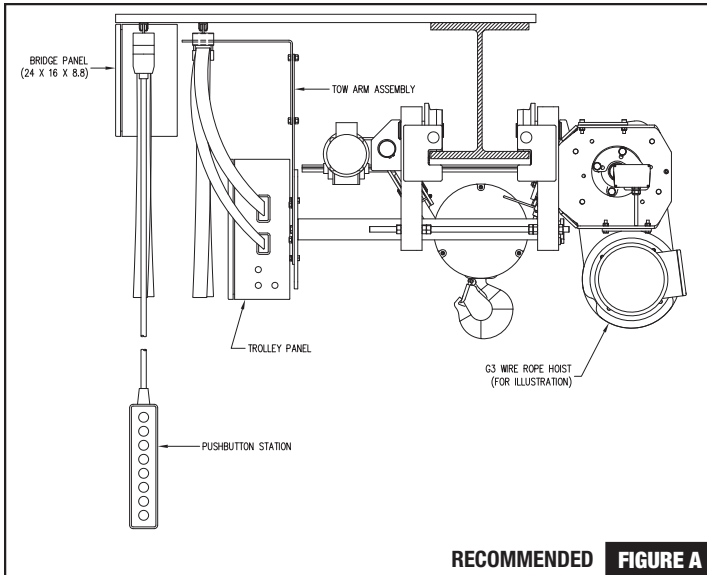
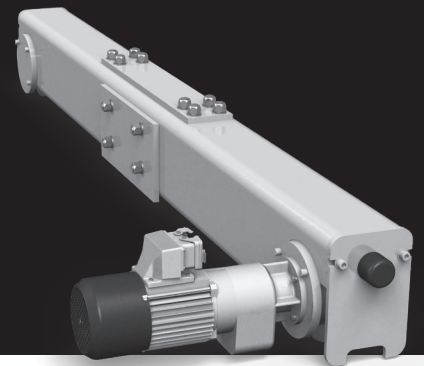


ASSEMBLY INSTRUCTION SUPPLEMENT



SINGLE & DOUBLE GIRDER TOP RUNNING BRIDGES WITH INDIVIDUAL MOTOR DRIVEN END TRUCKS



STOP!

Before assembling crane, ensure that the layout is done so that the bridge panel and festoon assemblies are on the same side of the girder as the hoist/trolley control panel. If they are not, then the festoon assemblies may be too short to reach all the way across the crane span.

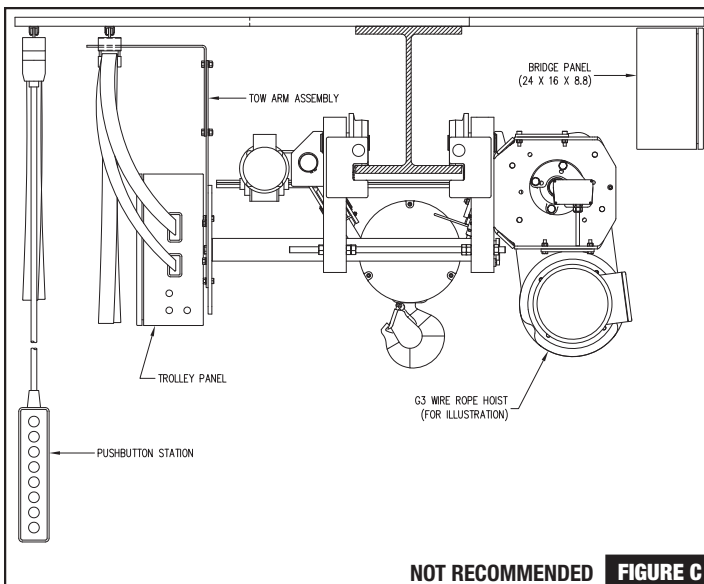
Proper installation is shown in Figure A & Figure B.

SINGLE GIRDER RATED LOADS:

- 1 thru 15 Tons / 2000 thru 30,000 lbs.
- 1 thru 15 tonnes / 1000 thru 15,000 kg.

DOUBLE GIRDER RATED LOADS:

- 5 thru 20 tons / 10,000 thru 40,000 lbs.
- 5 thru 20 tonnes / 5000 thru 20,000 kg.



World Series / Global King Easy Connect

Please Note:

Festooning length is calculated based on required bridge span with festooning mounted on same side of beam as bridge panel.

In **Figure A** and **Figure B**, the bridge panel is displayed in line with the pushbutton festoon. In **Figure C**, the bridge panel is displayed opposite of the festooning. When constructing the system per **Figure B**, the cables will need to pass over the girder to the panel and additional festooning is required. If festoon mount on opposite side of bridge panel, or any other variation is preferred, please contact the Customer Service Department for quotation.

⚠ WARNING

**DO NOT UNPLUG CONNECTORS WHILE CIRCUIT IS ENERGIZED.
BEFORE PLUGGING IN CONNECTORS REMOVE POWER FROM SYSTEM**

WORKING IN OR NEAR EXPOSED ENERGIZED ELECTRICAL EQUIPMENT PRESENTS THE DANGER OF ELECTRIC SHOCK.

TO AVOID INJURY:
Disconnect power and lockout/tagout the disconnecting means before removing cover or servicing this equipment.



Phone (800) 888.0985 • (716) 689.5400 • Fax: (716) 689.5644 • www.cmworks.com