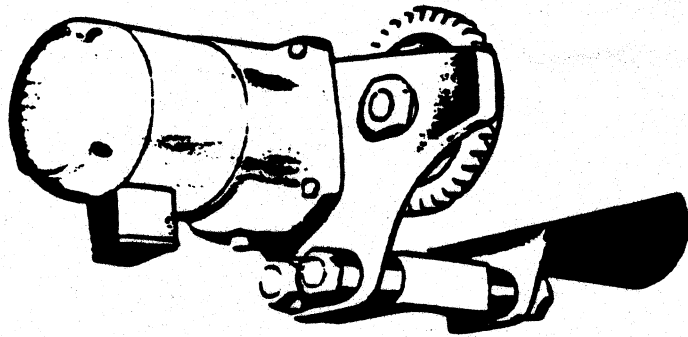


**Parts and Instruction
Manual**

TROLLEY SERIAL NUMBER _____
YALE ORDER NUMBER _____
CUSTOMER ORDER NUMBER _____

Yale[®]





POWER TROLLEYS

TROLLEY SPARE PARTS

IMPORTANT: IF MOTOR PARTS ARE REQUIRED GIVE COMPLETE NAME PLATE READING

WHEN ORDERING PARTS GIVE COMPLETE NAME PLATE READING AND NUMBER OF PARTS REQUIRED.

Yale[®] POWER TROLLEYS	
Model Number	
Serial Number	
Volts	Amps
Phase	Hertz
Yale Industrial Products, Inc. Highway 1 North P.O. Box 1000 Forrest City, Arkansas 72335 Telephone: (501) 633-2250	

CAUTION

NEVER REMOVE ANY PAGES FROM THIS BOOK.

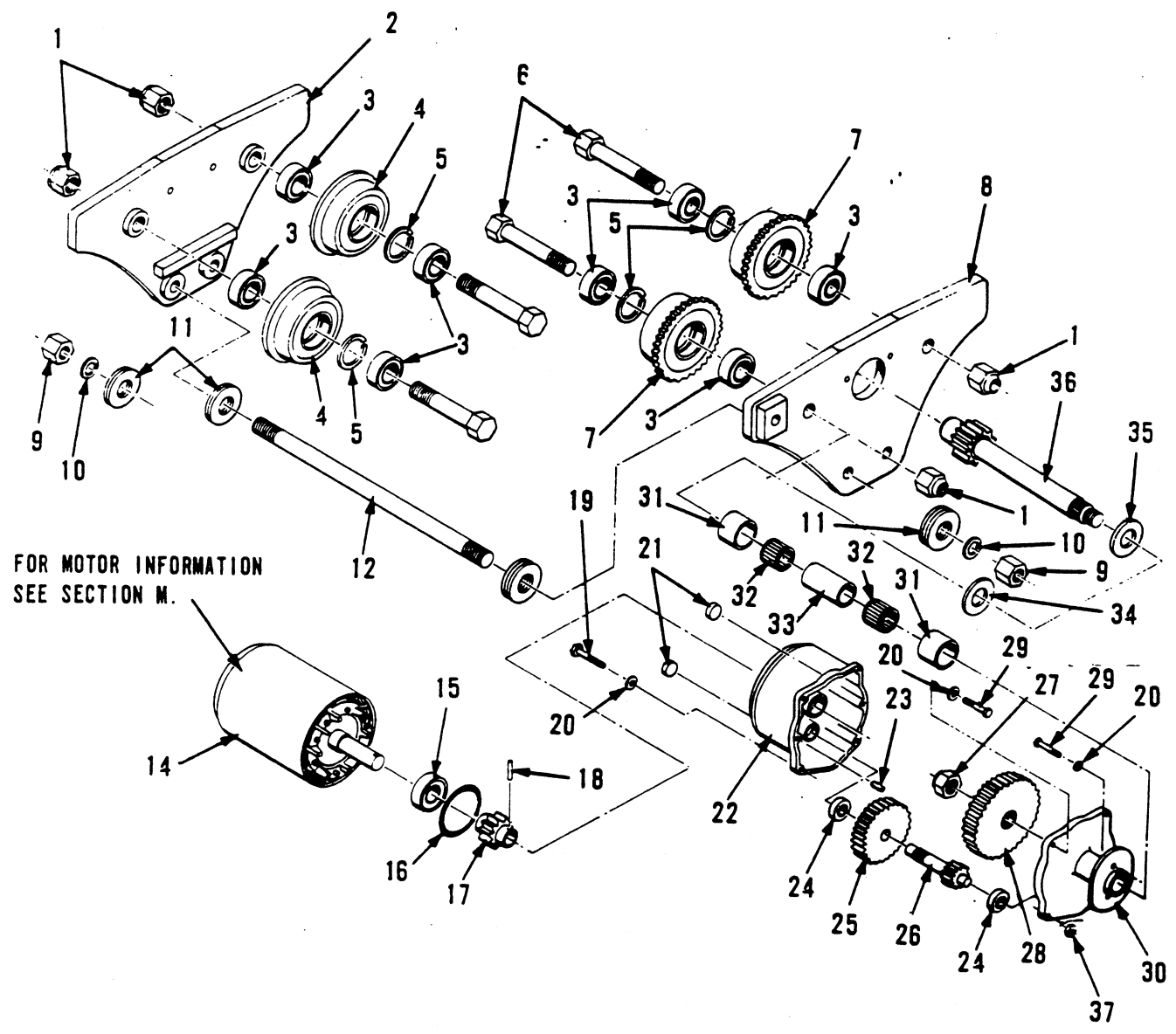
ALWAYS STATE WHETHER PARTS ARE TO BE SHIPPED PARCEL POST, EXPRESS OR FREIGHT.

FURNISHING COMPLETE INFORMATION WILL SAVE TIME AND AID US IN SERVING YOU.



ST Series Trolley Assembly

STANDARD HEADROOM



When Replacement Parts Are Needed, Order Only YALE[®] Factory Engineered Parts

YE-0325
165-912-013

DECEMBER 1972

B CHASSIS

SECTION O

TROLLEYS



ST Series Trolley Assembly

STANDARD HEADROOM

ASSEMBLY NUMBER	BEAM SIZE	LIFT
0622029-00	6" - 15"	1st & 2nd
0643715-00	18" - 24"	1st & 2nd
0650832-00	6" - 15"	3rd & 4th
0665148-00	18" - 24"	3rd & 4th
5016140-00	PATENTED TRACK	1st & 2nd

ITEM NUMBER	PART NUMBER	DESCRIPTION	QTY
1	0150158-00	JAM NUT	4
2	0597601-00	SIDE PLATE, PLAIN SIDE (1st & 2nd Lift)	1
	0650833-00	SIDE PLATE, PLAIN SIDE (3rd & 4th Lift)	1
	0650862-00	SIDE PLATE, PLAIN SIDE (Patented Track)	1
3	0250647-00	BEARING	8
4	6412103-00	WHEEL, PLAIN (Standard Beam)	2
	0650863-00	WHEEL, PLAIN (Patented Track)	2
5	6400469-04	SNAP RING (Standard Beam)	4
	0621591-00	SNAP RING (Patented Track)	4
6	0597659-00	AXLE (Standard Beam)	4
	0650864-00	AXLE (Patented Track)	4
7	6412113-00	WHEEL, GEARED (Standard Beam)	2
	5011583-00	WHEEL, GEARED (Patented Track)	2
8	0603330-00	SIDE PLATE, GEARED SIDE (1st & 2nd Lift)	1
	0650834-00	SIDE PLATE, GEARED SIDE (3rd & 4th Lift)	1
	5016444-00	SIDE PLATE, GEARED SIDE (Patented Track)	1
9	0149715-00	HEX NUT (Standard Beam)	4
	0149375-00	HEX NUT (Patented Track)	4
10	0150270-00	LOCKWASHER	4
11	0114221-00	ADJUSTING WASHERS	**
12	0609928-00	DOUBLE END STUD (6" - 15" Beam)	2
	0101036-00	DOUBLE END STUD (18" - 24" Beam)	2
	0650872-00	DOUBLE END STUD (Patented Track)	2
13	0114207-00	AXLE WASHER (F/Patented Track)(Not Shown)	4
14	SEE SECTION M	MOTOR	1
15	0325737-00	MOTOR BEARING	1
16	0193248-00	"O" RING	1
17	SEE TABLE	PINION	1
18	SEE TABLE	PINION PIN	1
19	0146723-00	SCREW	2
20	0150264-00	WASHER	6
21	0230825-00	PIPE PLUG	2
22	0192483-00	GEAR CASE	1
23	6400529-01	DOWEL PIN	2
24	0100850-00	BEARING	2
25	SEE TABLE	GEAR	1
26	SEE TABLE	PINION	1
25-26	SEE TABLE	GEAR & PINION	1
27	0326590-00	5/8 - 11 LOCKNUT	1
28	SEE TABLE	GEAR	1
29	0570482-00	SCREW	2
30	0307058-00	GEAR CASE COVER	1
31	0610994-00	INNER RACE	2
32	0572813-00	NEEDLE BEARING	2
33	0317334-00	SPACER	1
34	0535816-00	WASHER	1
35	0544158-00	WASHER	1
36	6400851-00	SHAFT	1
37	0149369-00	NUT	2

ITEM	PART NUMBER	DESCRIPTION	30 FPM	45 FPM	80 FPM
17	0104602-00	MOTOR PINION, 16 TOOTH		1	1
17	0104607-00	MOTOR PINION, 12 TOOTH	1		
18	0106953-00	LOCK PIN FOR 16 TOOTH PINION		1	1
18	0106959-00	LOCK PIN FOR 12 TOOTH PINION	1		
25	6407531-00	GEAR	1		
25	6407541-00	GEAR		1	
25-26	0610978-00	GEAR & PINION			1
26	6407501-00	PINION	1	1	
28	0226408-00	GEAR	1	1	
28	0610986-00	GEAR			1

→ Sideplate 0650834-00 Uses Stud 0111582-00, Idler Gear 0650835-00 And Thrust Washer 6406541-00. (These Items Are Not Shown).

When Replacement Parts Are Needed, Order Only YALE[®] Factory Engineered Parts



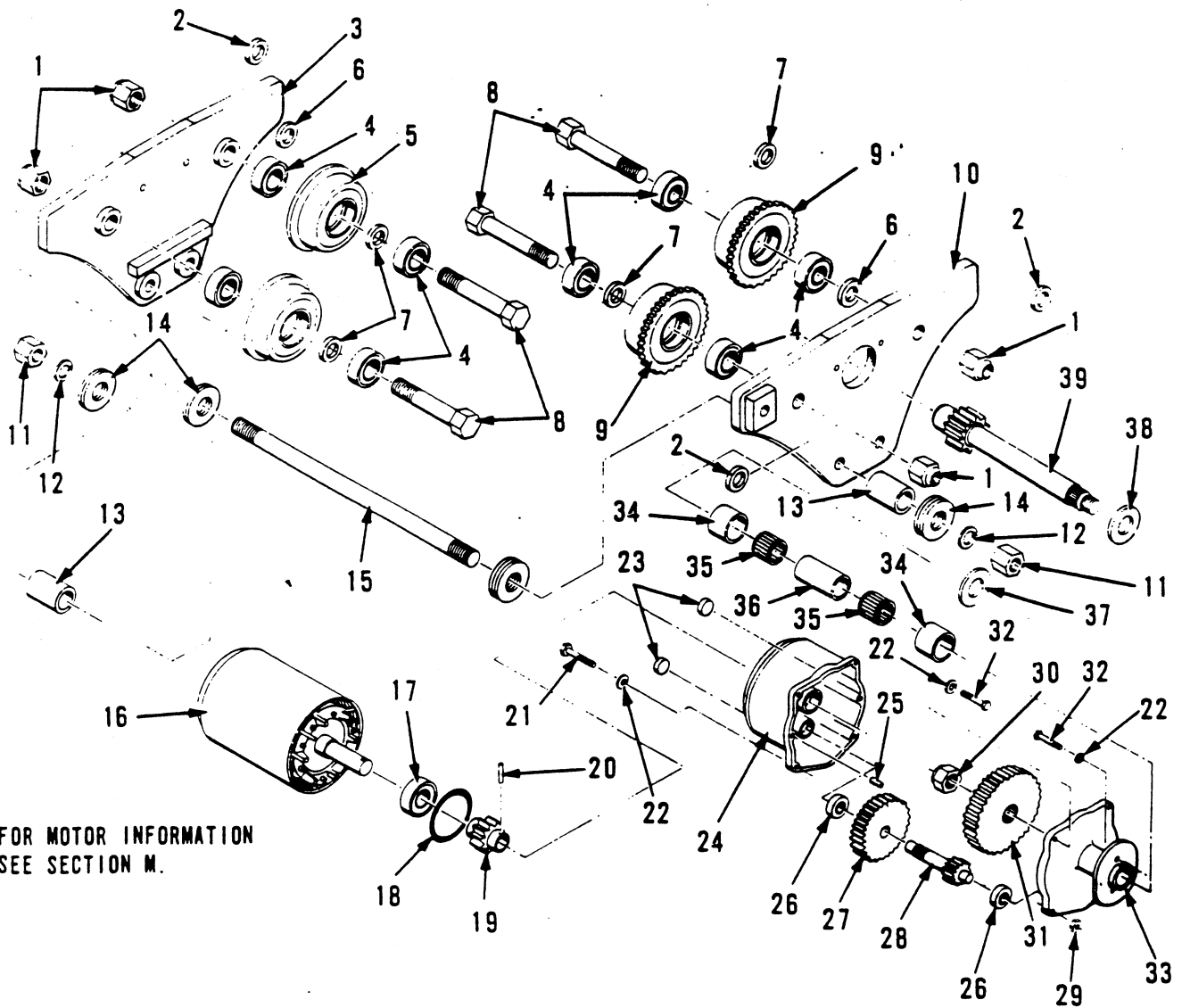
Yale

SECTION O

TROLLEYS

ST Series, Trolley Assembly

STANDARD HEADROOM



FOR MOTOR INFORMATION
SEE SECTION M.

THE UNIT ILLUSTRATED ABOVE
MAY NOT EXACTLY REPRESENT THE ACTUAL
APPEARANCE OF YOUR UNIT. HOWEVER,
IT IS TYPICAL.

When Replacement Parts Are Needed, Order Only YALE[®] Factory Engineered Parts

DECEMBER 1972

YE-0325

165-912-01

C CHASSIS

SECTION O

TROLLEYS



Yale

ST Series, Trolley Assembly

STANDARD HEADROOM

ASSEMBLY NUMBER	BEAM SIZE	LIFT
0665140-00	6-24	1st & 2nd
0665141-00	6-24	3rd & 4th
5024410-00	3 1/4 -4 1/16	1st & 2nd
5024400-00	3 1/4 -4 1/16	3rd & 4th

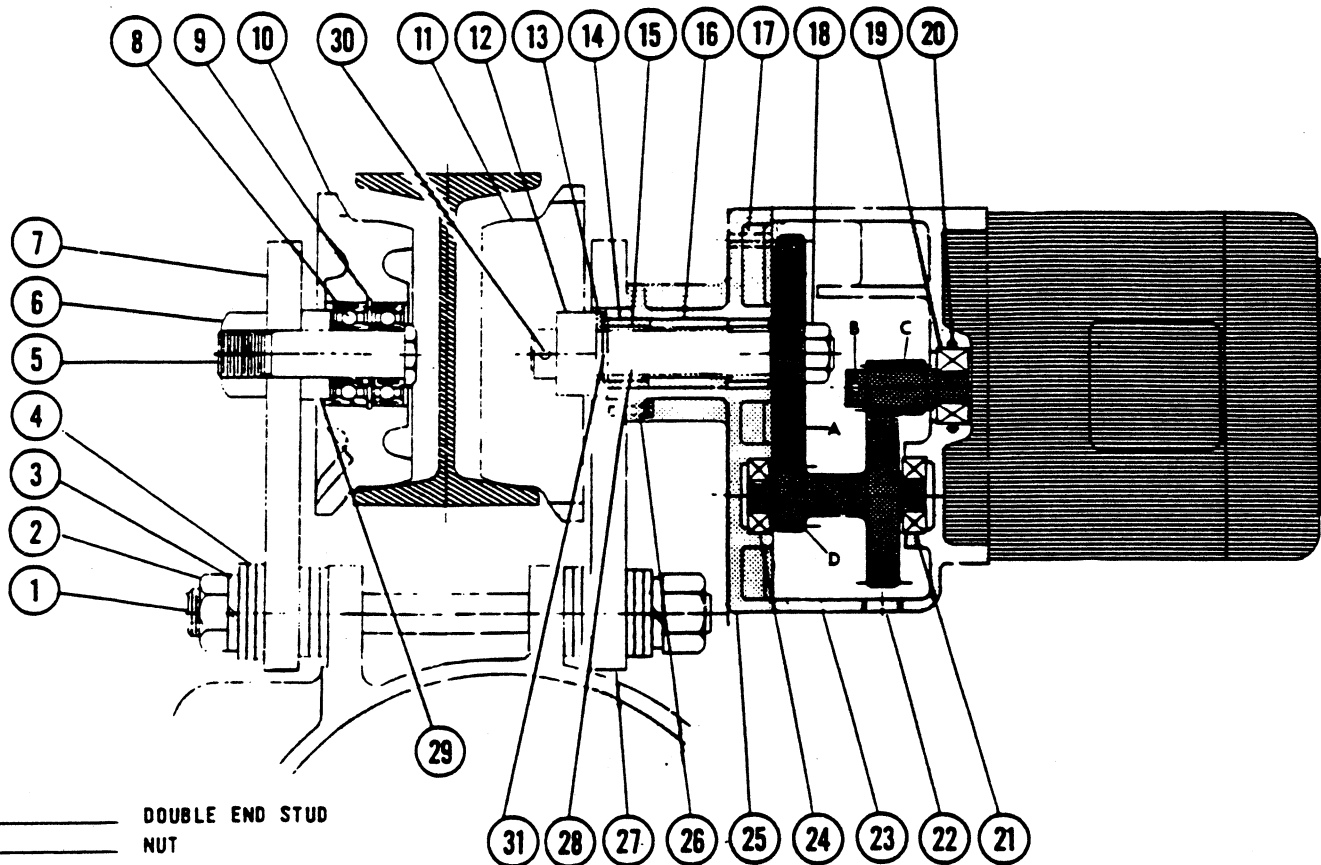
ITEM NUMBER	PART NUMBER	DESCRIPTION	QTY
1	0149716-00	JAM NUT	4
2	0150297-00	LOCKWASHER (Patented Track Only)	4
3	0664025-00	SIDE PLATE, PLAIN (1st & 2nd Lift)	1
	0664071-00	SIDE PLATE, PLAIN (3rd & 4th Lift)	1
4	0664037-00	BEARING ASSEMBLY	8
5	6412133-00	PLAIN WHEEL (Standard Beam)	2
	5018433-00	PLAIN WHEEL (Patented Track)	2
6	0664039-00	WHEEL SPACER (Standard Beam)	4
	0665193-00	WHEEL SPACER (Patented Track)	4
7	0664040-00	BEARING SPACER	4
8	0664038-00	AXLE (Standard Beam)	4
	5024561-00	AXLE (Patented Track)	4
9	6412143-00	GEARED WHEEL (Standard Beam)	2
	5018443-00	GEARED WHEEL (Patented Track)	2
10	0664027-00	SIDE PLATE, GEAR SIDE (1st & 2nd Lift)	1
	0664073-00	SIDE PLATE, GEAR SIDE (3rd & 4th Lift)	1
11	0213606-00	HEX NUT (Standard Beam)	4
	0149716-00	HEX NUT (Patented Track)	4
12	0150297-00	LOCKWASHER	4
13	0629893-00	SPACER (Standard Beam)	4
	5000239-23	SPACER (Patented Track)	4
14	0114197-00	ADJUSTING WASHER	**
15	0101055-00	DOUBLE END STUD (Standard Beam)	2
	0101053-00	DOUBLE END STUD (Patented Track)	2
16	SEE SECTION M	MOTOR	1
17	0325737-00	MOTOR BEARING	1
18	0193248-00	"O" RING	1
19	SEE TABLE	PINION	1
20	SEE TABLE	PINION PIN	1
21	0146723-00	SCREW	2
22	0150264-00	LOCKWASHER	6
23	0230825-00	PIPE PLUG	2
24	0192483-00	GEAR CASE	1
25	6400529-01	DOWEL PIN	2
26	0100850-00	BEARING	2
27	SEE TABLE	GEAR	1
28	SEE TABLE	PINION	1
27-28	SEE TABLE	GEAR & PINION	1
29	0149369-00	HEX NUT	2
30	0326590-00	LOCKNUT	1
31	SEE TABLE	GEAR	1
32	0570482-00	SCREW	4
33	0307058-00	GEAR CASE COVER	1
34	0610994-00	INNER RACE	2
35	0572813-00	NEEDLE BEARING	2
36	0317334-00	SPACER	1
37	0535816-00	WASHER	1
38	0544158-00	WASHER	1
39	6400851-00	SHAFT	1
40	5024531-00	WHEEL BEARING SHIM (Not Shown)	**

ITEM	PART NUMBER	DESCRIPTION	30 FPM	45 FPM	80 FPM
19	0104602-00	MOTOR PINION, 16 TOOTH		1	1
19	0104607-00	MOTOR PINION, 12 TOOTH	1		
20	0106953-00	LOCK PIN, FOR 16 TOOTH PINION		1	1
20	0106959-00	LOCK PIN, FOR 12 TOOTH PINION	1		
27	6407531-00	GEAR	1		
27	6407541-00	GEAR		1	
27-28	0610978-00	GEAR & PINION			1
28	6407501-00	PINION	1	1	
31	0226408-00	GEAR	1	1	
31	0610986-00	GEAR			1

* Side Plate 0664073-00 Uses Idler Gear 0664095-00, Stud 6400811-00, Jam Nut 0149715-00, Thrust Washer 0544158-00 And Washer 0144735-00. These Items Are Not Shown.

** As Required.

When Replacement Parts Are Needed, Order Only YALE[®] Factory Engineered Parts



- 1. _____ DOUBLE END STUD
- 2. _____ NUT
- 3. _____ LOCKWASHER
- 4. _____ ADJUSTING WASHERS
- 5. _____ WHEEL AXLE
- 6. _____ STOVER NUT
- 7. _____ PLAIN SIDE PLATE
- 8. 0602354-00 ROLLER BEARINGS
- 9. 0601083-00 BEARING SPACER
- 10. _____ TROLLEY WHEEL - PLAIN
- 11. _____ GEARED TROLLEY WHEEL

- 27. _____ SIDE PLATE
- 28. 6401423-00 SHAFT
- 29. 0579174-00 SPACER
- 30. 0559292-00 ROLL PIN
- 31. 6400821-00 SPACER
- _____ COUNTERWEIGHT (IF USED)

- 12. 0588168-00 PINION
- 13. 0544158-00 WASHER
- 14. 0610994-00 INNER RACE
- 15. 0572813-00 NEEDLE BEARING
- 16. 0317344-00 SPACER
- *17. 0116533-00 DOWEL PIN
- 0146382-00 HEX BOLT
- 0150264-00 LOCKWASHER
- 18. 0326590-00 NUT
- 19. 0325737-00 BEARING
- 20. 0193248-00 "O" RING
- 21. 0100850-00 BEARING
- 22. 0230803-00 PIPE PLUG
- 23. 0192483-00 GEAR CASE
- 24. 0100850-00 BEARING
- 25. 0221092-00 GEAR CASE COVER
- 26. 0150264-00 LOCKWASHER
- 0146382-00 HEX BOLT

ITEM NO.	PART NO.	DESCRIPTION	TRAVEL SPEED			
			40' / MIN	50' / MIN	75' / MIN	125' / MIN
A	0226396-00	S. S. GEAR 50T	1			
A	0226408-00	S. S. GEAR 47T		1	1	
A	0610986-00	S. S. GEAR 40T				1
B	0106953-00	PIN FOR 16T PINION			1	1
B	0106959-00	PIN FOR 12T PINION	1	1		
C	0104602-00	MOTOR PINION 16T			1	1
C	0104607-00	MOTOR PINION 12T	1	1		
D	0306494-00	GEAR & PINION 52T - 12T	1			
D	0306495-00	GEAR & PINION 48T - 15T			1	
D	0306496-00	GEAR & PINION 52T - 15T		1		
D	0610978-00	GEAR & PINION 48T - 22T				1

*THESE PARTS DO NOT REPRESENT AN ASSEMBLY. BUT MUST BE ORDERED SEPERATELY.

MOTORIZED GEARED TROLLEY ASSEMBLY "D" CHASSIS



SECTION E
LUBRICATION CHART

LUBRICATION CE And CA Series Hoists

PART	LUBRICANT	LUBRICATION POINT	LUBRICATION INSTRUCTIONS	DRAIN POINT
GEAR CASE CE SERIES B CHASSIS C CHASSIS D CHASSIS E CHASSIS	140 WT EP Gear Oil 90 Wt EP Gear Oil (For Operation In Temperatures Down To 20 Degrees Below Zero).	Angular Boss On Face Of Gear Case Cover.	Fill Until Oil Runs Out Fill Hole.	Socket Head Plug In Bottom Of Gear Case Cover.
GEAR CASE WITH SPECIAL LOAD BRAKE AND ALL CA SERIES	*140 Wt Multi- Purpose Gear Lub. **Gulf Universal Tractor Fluid.	Fill From Vent Hole In Pipe Nipple Pro- truding From Angular Boss On Face Of Gear Case Cover.	E Chassis 8 Quarts B Chassis 1 Quart C Chassis 3 Pints D Chassis 4 Quarts	Socket Head Plug In Bottom Of Gear Case Cover.
DRUM SHAFT BEARINGS	Gulf XXX #1 Grease	Shaft Bearings	Pack Bearings With Grease.	
MOTOR BRAKE	Gulf Crown No. 2 Or Equivalent.	Cam Faces And Studs.	Light Coating Of Grease On All Surfaces.	
MOTOR BRAKE LINKAGE	Light Machine Oil	All Pivot Points In Linkage.	One Or Two Drops On All Points.	
BRAKE SHOE PIVOT STUD	Light Machine Oil	Pivot Stud	One Or Two Drops On The Stud.	
WIRE ROPE	Prepared Cable Lubricant.	Wire Rope	Light Coat Of Lubricant	
FILTER-OILER ON AIR HOIST	SAE 10	Oiler	Fill To Level Indicated On Glass.	
AIR MOTOR	Below 30° F-SAE20 Or 2DW Non-Det. Motor Oil 30° F To 80° F-SAE 30 Non-Det. Motor Oil Above 80° F-SAE 40 Non- Det. Motor Oil.	Top Of Motor	Fill Until Oil Level Is Even With Oil Cock Or Sight Glass In The Side Of The Motor Case.	Oil Cock At Bottom Of Motor Case.

- * USE ON AIR HOISTS SHIPPED PRIOR TO 6-28-71
- ** USE ON AIR HOISTS SHIPPED AFTER 6-28-71
- Units shipped prior to April 1972 use Gulf 140 multi-purpose gear lub. After April 1972 use Gulf Universal Tractor Fluid.

CAUTION DO NOT LUBRICATE STAINLESS STEEL WIRE ROPE.

ST And ET Series Trolleys-Sidewinder And Equa-Drive

PART	LUBRICANT	LUBRICATION POINT	LUBRICATION INSTRUCTIONS	DRAIN POINT
GEAR CASE	Gulf XXX #1 Grease	Socket Head Plug In Curved Side Of Gear Case.	Fill Until Grease Is Level With Hole.	Socket Head Plug In Bottom Of Gear Case.
TRACK WHEEL PINION AND GEAR TEETH	Moly Cote	Pinion & Gear Teeth.	Depending On Applica- tion, Light Coating Of Grease.	

Trolleys-Plain And Geared

ALEMITE FITTINGS	Gulf XXX No.1 Grease	Ball Valve Oil Holes	Machine Oil
------------------	-------------------------	----------------------	-------------

TT Series Trolleys-Tractor Trolley

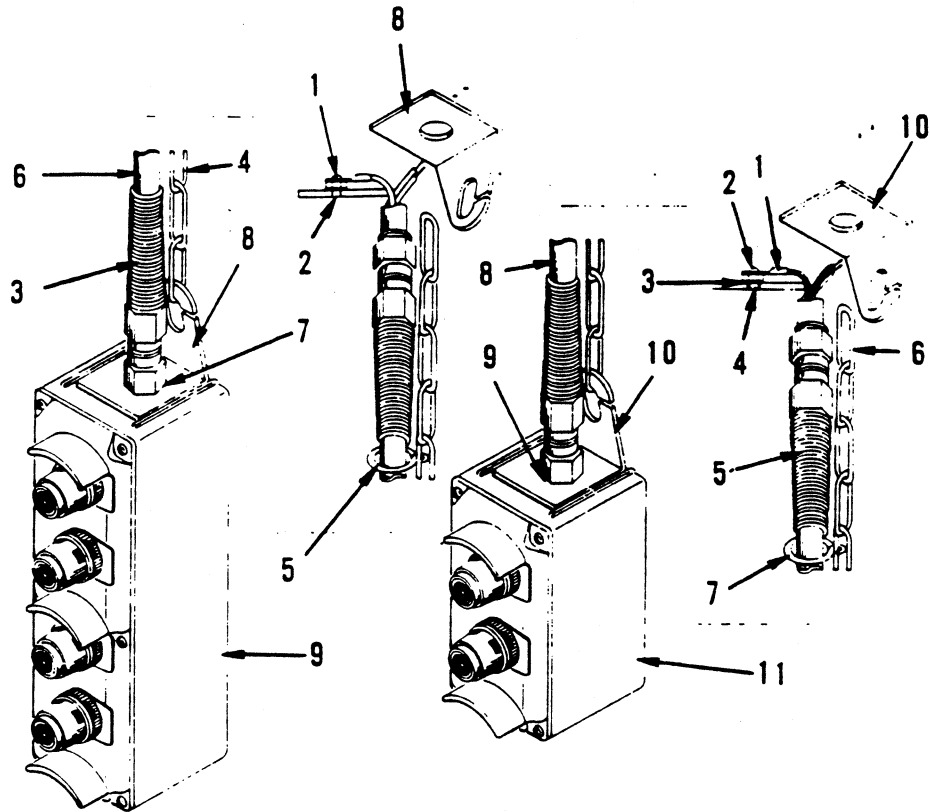
GEAR CASE AND CHAIN CASE	Gulf XXX #1 Grease	Socket Head Plug On Side Of Chain Case.	Fill Until Grease Is Level with Hole.	Socket Head Plug In Bottom Of Gear Case.
-----------------------------	--------------------	--	--	---

165-902-

When Replacement Parts Are Needed, Order Only YALE[®] Factory Engineered Par



Push Button Control Stations



6441890-00
* PUSH BUTTON CONTROL
AND ANCHOR ASSEMBLY

0504086-00
* PUSH BUTTON CONTROL
AND ANCHOR ASSEMBLY

* Cord And Chain Not Included In These Assemblies.

YA-0265

165-909-002

When Replacement Parts Are Needed, Order Only YALE[®] Factory Engineered Parts

AUGUST 1972

PUSH BUTTON

SECTION L

CONTROLS


Push Button Control Stations

USE PARTS GROUP CHECKED.

ITEM NUMBER	PART NUMBER	DESCRIPTION	QTY
<input type="checkbox"/>	0504086-00	PUSH BUTTON CONTROL AND ANCHOR ASSEMBLY (Cord And Chain Not Included)	1
1	0653541-00	WIRE LUG	1
2	0109536-00	FILLISTER HEAD SCREW	1
3	0656193-00	SHAKEPROOF WASHER	1
	0161158-00	PLAIN WASHER	1
4	0109539-00	SCREW	1
5	0242931-00	STRAIN RELIEVER AND SPRING GUARD	2
6	0107222-00	ANCHOR CHAIN (Specify Length)	1
7	0107225-00	CHAIN HOOK (Specify Quantity)	
8	0116783-00	PUSH BUTTON CORD (Specify Length)	1
9	0103739-00	LOCKNUT	1
10	0103933-00	HANGER BRACKET	1
11	6400948-00	PUSH BUTTON STATION	1

ITEM NUMBER	PART NUMBER	DESCRIPTION	QTY
<input type="checkbox"/>	6441890-00	PUSH BUTTON CONTROL AND ANCHOR ASSEMBLY (Cord And Chain Not Included)	1
1	0109536-00	FILLISTER HEAD SCREW	1
2	0109539-00	SCREW	1
3	0103776-00	STRAIN RELIEVER AND SPRING GUARD	2
4	0107222-00	ANCHOR CHAIN (Specify Length)	1
5	0107225-00	CHAIN HOOK (Specify Quantity)	
6	0116604-00	PUSH BUTTON CORD (Specify Length)	1
7	0103740-00	LOCKNUT	1
8	0103959-00	HANGER BRACKET	1
9	0107354-00	PUSH BUTTON STATION	1

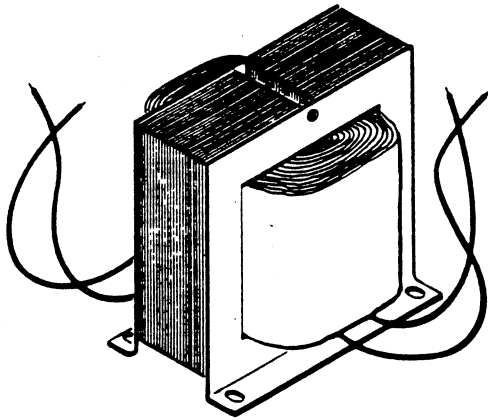
When Replacement Parts Are Needed, Order Only YALE[®] Factory Engineered Parts

PUSH BUTTON

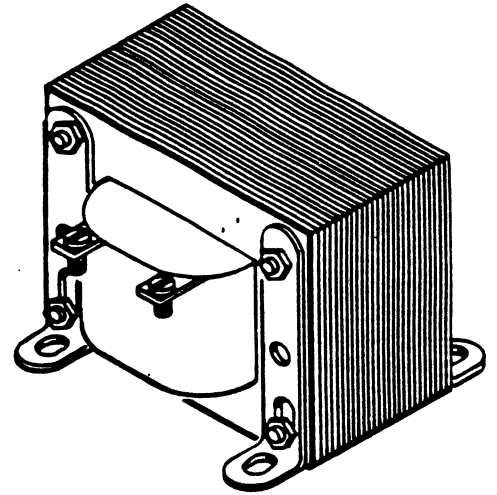
AUGUST 1972



Transformers



GROUP A



GROUP B

GROUP A

PRI. VOLTS	SEC. VOLTS	FREQ.	PART NUMBER
115/230	24	60 HZ	6424213-01
115/230	115	60 HZ	6424213-05
230/460	24	60 HZ	6424213-03
230/460	115	60 HZ	6424213-07
575	24	60 HZ	6424213-04
575	115	60 HZ	6424213-08
230/460	24	25 HZ	6424213-11
230/460	115	25 HZ	6424213-15
575	24	25 HZ	6424213-12
575	115	25 HZ	6424213-16

GROUP B

PRI. VOLTS	SEC. VOLTS	FREQ.	PART NUMBER
240/480	24	60 Hz	5003119-01
550	24	60 Hz	5003119-02
240/480	110	60 Hz	5003119-03
550	110	60 Hz	5003119-04
240-480	24	60 Hz	5003119-05
550	24	60 Hz	5003119-06
240/480	110	60 Hz	5003119-07
550	110	60 Hz	5003119-08
380	220	50 Hz	5003119-09
240/480	24	25 Hz	5003119-10

YA-031

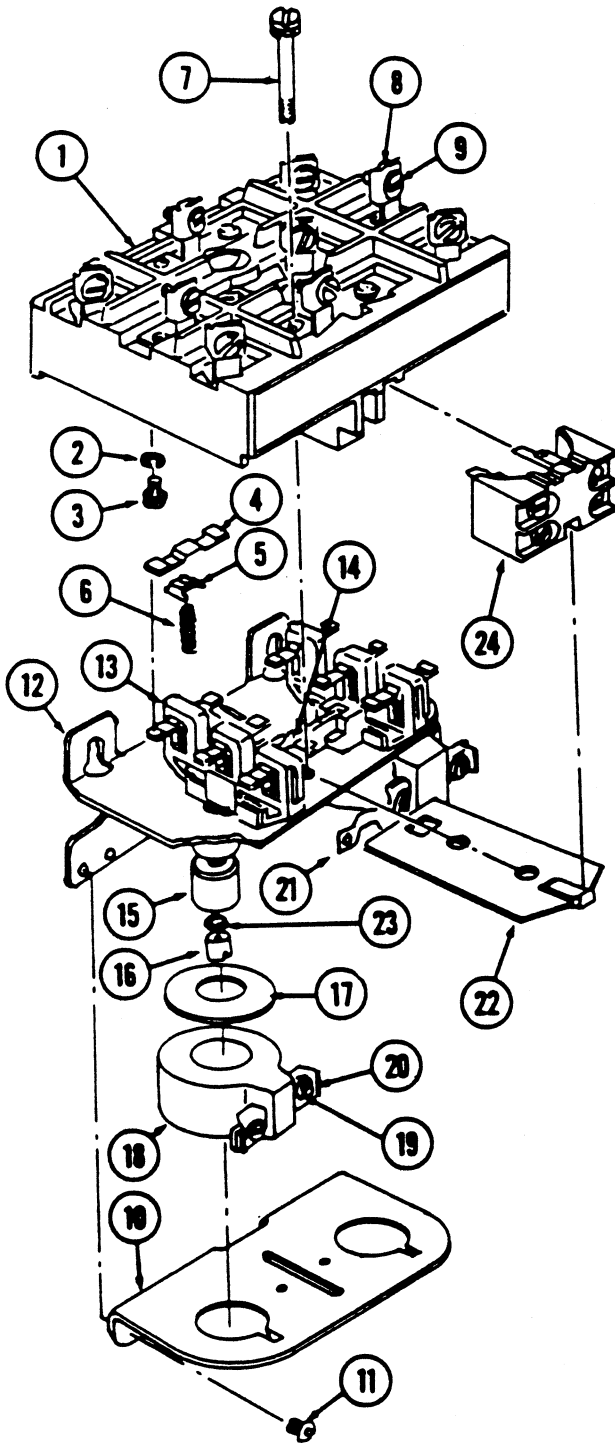
165-909-00

When Replacement Parts Are Needed, Order Only YALE® Factory Engineered Par



Reversing Contactors, Size 00

SECTION L CONTROLS



COMPLETE SWITCH WITHOUT INTERLOCKS

PILOT VOLTS	REV. SWITCH	2 SPD. SW.
24 VOLT 60 HZ	5037490-00	5003139-00
110 VOLT 60 HZ	5037500-00	5003139-02
230 VOLT 60 HZ	5037510-00	5037560-00
460 VOLT 60 HZ	5037520-00	5037570-00
575 VOLT 60 HZ	5037530-00	5037580-00
24 VOLT 25 HZ	5037540-00	5037590-00
110 VOLT 25 HZ	5037510-00	5037560-00
230 VOLT 25 HZ	5037550-00	5037600-00

COMPLETE SWITCH WITH N O INTERLOCKS

PILOT VOLTS	REV. SWITCH	2 SPD. SW.
24 VOLT 60 HZ	5038710-00	5038780-00
110 VOLT 60 HZ	5038720-00	5038790-00
230 VOLT 60 HZ	5038730-00	5038800-00
460 VOLT 60 HZ	5038740-00	5038810-00
575 VOLT 60 HZ	5038750-00	5038820-00
24 VOLT 25 HZ	5038760-00	5038830-00
110 VOLT 25 HZ	5038730-00	5038800-00
230 VOLT 25 HZ	5038770-00	5038840-00

COMPLETE SWITCH WITH N C INTERLOCKS

PILOT VOLTS	REV. SWITCH	2 SPD. SW.
24 VOLT 60 HZ	5019718-00	5019728-00
110 VOLT 60 HZ	5028168-00	5028178-00
230 VOLT 60 HZ	5037610-00	5037660-00
460 VOLT 60 HZ	5037620-00	5037670-00
575 VOLT 60 HZ	5037630-00	5037680-00
24 VOLT 25 HZ	5037640-00	5037690-00
110 VOLT 25 HZ	5037610-00	5037660-00
230 VOLT 25 HZ	5037650-00	5037700-00

YA-03
165-909-0

When Replacement Parts Are Needed, Order Only YALE® Factory Engineered Parts

Reversing Contactors, Size 00

ITEM	PART NUMBER	DESCRIPTION	QUANTITY
1	6409198-00	CONTACT BLOCK ONLY.....	**1
2	0150254-00	#8 LOCKWASHER.....	*12
3	6400038-00	STATIONARY CONTACT SCREW.....	*12
4	6400048-00	MOVABLE CONTACT.....	*6
5	6400058-00	RETAINER.....	*6
6	6409208-00	CONTACT SPRING.....	6
7	6409218-00	#10-24 X 1-1/4 SCREW ASSEMBLY.....	2
8	0616334-00	PRESSURE WIRE TERMINAL CLIP.....	9
9	0593511-00	#6-32 X 5/16 SCREW ASSEMBLY.....	9
10	6409318-00	BOTTOM PLATE.....	1
11	6409328-00	#8-32 X 1/4 SCREW ASSEMBLY.....	2
12	6409228-00	BASE ASSEMBLY.....	1
13	6409238-00	CONTACT CARRIER.....	**2
14	6409248-00	MECHANICAL INTERLOCK.....	1
15	6409258-00	ARMATURE ASSEMBLY.....	***2
16	6409268-00	#10-32 SLOTTED NUT.....	2
17	6409278-00	WASHER.....	2
18	SEE TABLE	MAGNETIC COIL.....	2
19	6409288-00	#6-32 X 3/8 SCREW ASSEMBLY.....	4
20	0616334-00	TERMINAL CLIP.....	4
21	6409298-00	COIL JUMPER.....	1
22	6409308-00	INTERLOCK LATCH.....	1
23	0150256-00	#10 LOCKWASHER.....	2
24	5030688-00	ELECTRICAL INTERLOCK N.O.....	1
	5030698-00	ELECTRICAL INTERLOCK N.C.....	1

* INCLUDED IN PARTS KIT 6400028-00

** BOTH THE CONTACT BLOCK ITEM 1 AND CONTACT CARRIER ITEM 13 MUST BE ORDERED WHEN REPLACING EITHER OF THESE ITEMS.

*** WHEN REPLACING ARMATURE ASSEMBLY ITEM 15 A SLOTTED NUT ITEM 16 & LOCKWASHER ITEM 23 MUST BE ORDERED.

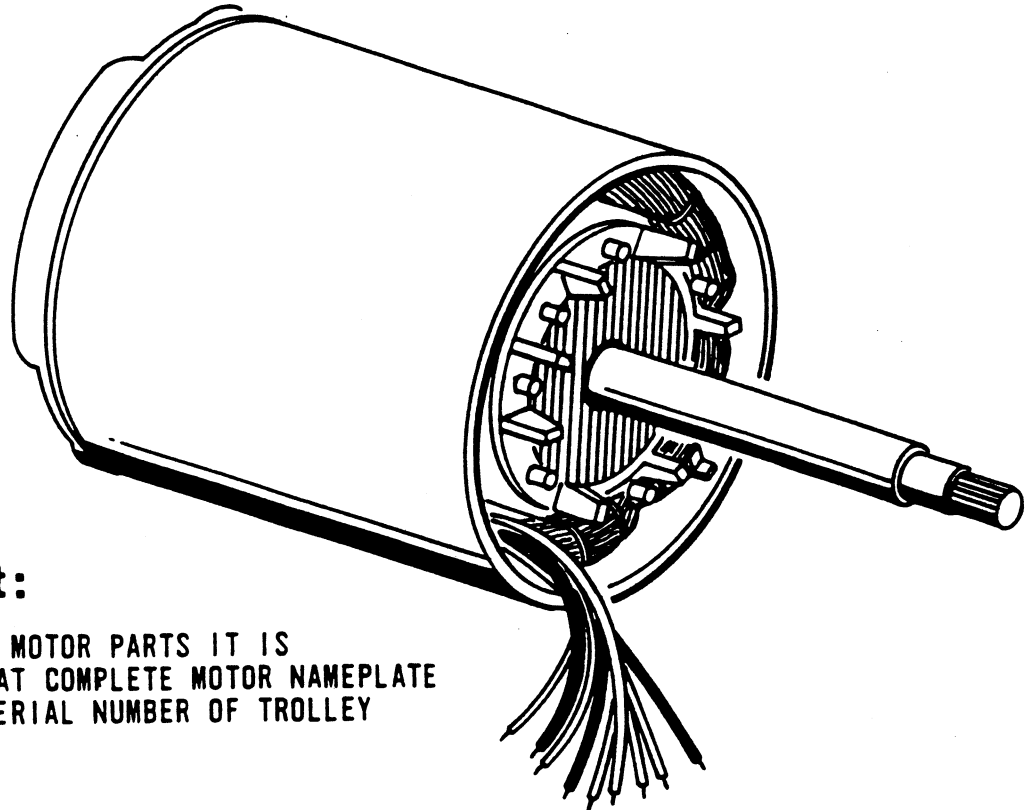
MAGNETIC COIL TABLE

FREQ.	24 VOLT	115 VOLT	230 VOLT	460 VOLT	575 VOLT
60 HZ	5030618-00	5030628-00	5030638-00	5030648-00	5030658-00
50 HZ	5030618-00	5030628-00	5030638-00	5030648-00	5030658-00
25 HZ	5030668-00	5030638-00	5030678-00		

When Replacement Parts Are Needed, Order Only YALE® Factory Engineered Parts



Trolley Motors



Important:

WHEN ORDERING MOTOR PARTS IT IS IMPERATIVE THAT COMPLETE MOTOR NAMEPLATE READING AND SERIAL NUMBER OF TROLLEY BE FURNISHED.

The motor illustrated above may not exactly represent the actual appearance of the motor. However, it is typical.

TROLLEY SERIAL NUMBER _____

MOTOR NUMBER _____

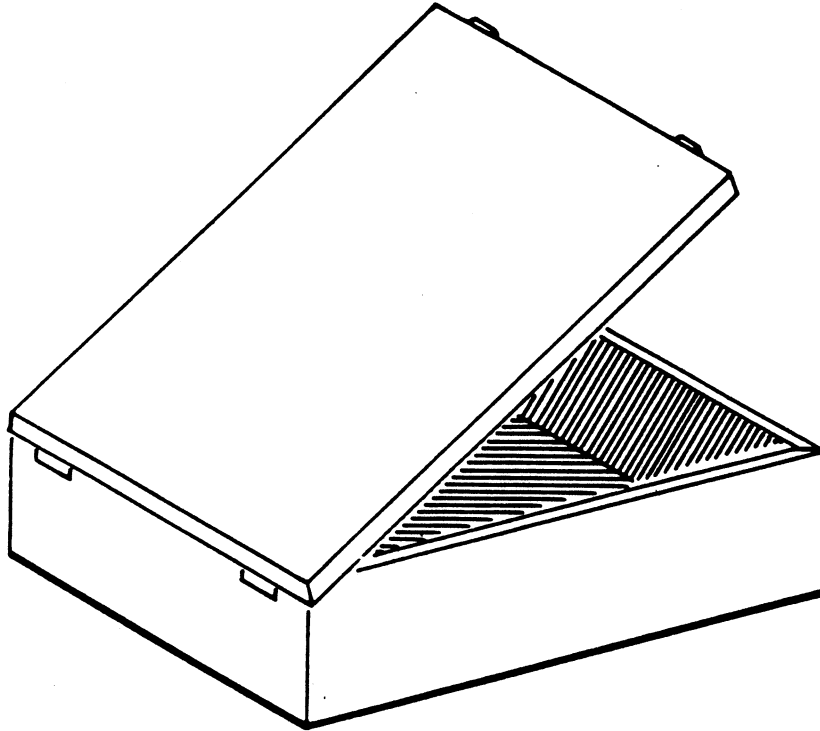
TROLLEY MOTOR DATA	
MANUFACTURER	
H. P.	FRAME
TYPE	PHASE
SERIAL NUMBER	
VOLTS	
HERTZ	
R. P. M.	

1E5-910-002

When Replacement Parts Are Needed, Order Only YALE[®] Factory Engineered Part

YALE

TROLLEY CONTROL BOX



ITEM NUMBER	PART NUMBER	DESCRIPTION	QUANTITY
<input type="checkbox"/> 1	0567093-00	CONTROL BOX.....	1
<input type="checkbox"/> 2	0542518-00	CONTROL BOX WITH 0542563-00 ADAPTER.....	1
<input type="checkbox"/> 3	_____	CONTROL BOX.....	1

Use Item Checked

When Replacement Parts Are Needed, Order Only YALE Factory Engineered Parts

NOVEMBER 1970

W13-8



Inspection Record

1. DATE _____ PERSON INSPECTING HOIST _____

COMMENTS _____

2. DATE _____ PERSON INSPECTING HOIST _____

COMMENTS _____

3. DATE _____ PERSON INSPECTING HOIST _____

COMMENTS _____

4. DATE _____ PERSON INSPECTING HOIST _____

COMMENTS _____

5. DATE _____ PERSON INSPECTING HOIST _____

COMMENTS _____

6. DATE _____ PERSON INSPECTING HOIST _____

COMMENTS _____

7. DATE _____ PERSON INSPECTING HOIST _____

COMMENTS _____

8. DATE _____ PERSON INSPECTING HOIST _____

COMMENTS _____

9. DATE _____ PERSON INSPECTING HOIST _____

COMMENTS _____

Additional inspection log pages may be obtained by ordering from:
Eaton Corporation-Hoisting Equipment Division-Hwy. #1, North
Forrest City, Arkansas 72335, Attn: Distribution Center.

Yale[®]

HOISTS

Warranty

Every hoist is thoroughly inspected and tested prior to shipment from the factory. Should any problems develop, return the complete hoist prepaid to your nearest Yale Authorized Warranty Repair Station.

This warranty does not apply where: (1) deterioration is caused by normal wear, abuse, improper or inadequate power supply, eccentric or side loading, overloading, chemical or abrasive actions, improper maintenance or excessive heat; (2) problems resulted from repairs, modifications or alterations made by persons other than factory or Duff-Norton personnel;

(3) the hoist has been abused or damaged as a result of an accident; (4) repair parts or accessories other than those supplied by Duff-Norton are used on the hoist. Equipment and accessories not of the seller's manufacture are warranted only to the extent that they are warranted by the manufacturer. EXCEPT AS STATED HEREIN, DUFF-NORTON MAKES NO OTHER WARRANTIES, EXPRESS OR IMPLIED, INCLUDING WARRANTIES OF MERCHANTABILITY AND FITNESS FOR A PARTICULAR PURPOSE.

Improvements:

Yale is constantly striving to improve its product. Changes in design and improvements will be made whenever the manufacturer believes the efficiency of the product will be improved without incurring any obligation to incorporate such improvements in any products which have been shipped or are in service.

Important Notice:

Use of chain, wire rope or replacement parts other than as supplied as original equipment on Yale hoists may lead to dangerous operation. Accordingly, Yale cannot be responsible in such cases and our warranty should be voided.

For more information write Yale Hoists, Forrest City, Arkansas 72335.



Yale[®] Hoists
Highway 1 North
P.O. Box 1000
Forrest City, Arkansas 72335
Customer Service Phone (800) 999-6318
Fax (800) 766-0223

Copyright 1991
Yale Hoists

3448
Printed in U.S.A.