

N49 W13650 Campbell Drive  
Menomonee Falls, WI 53051  
Phone: 800-288-8178  
Fax: 800-298-3503  
Website: www.telemotive.com

**E10670-1  
NiCAD Battery Charger**

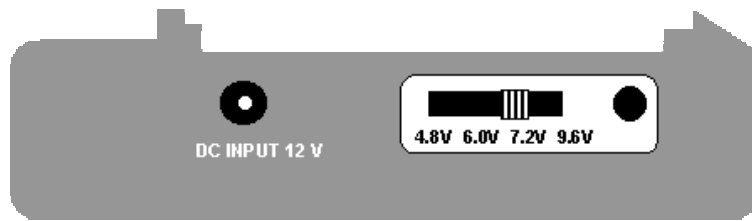
**For the  
BT10KP-1 Battery**

***Note: All new rechargeable battery packs must be charged before usage. Conditioning is also recommended for new batteries.***



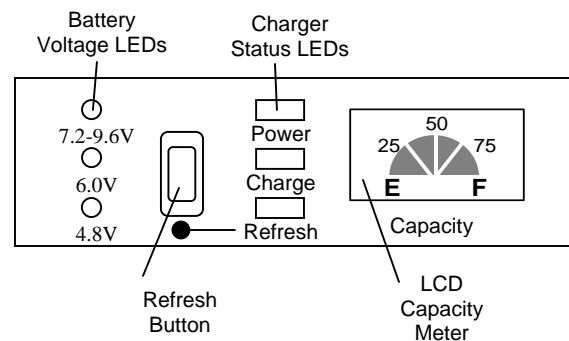
**GENERAL PRECAUTIONS**

- Use of this device is intended for charging BT10KP-1, NiCAD (Nickel Cadmium) rechargeable batteries only.
- Do not attempt to use this product on non-rechargeable battery packs.
- For best performance of the battery, avoid charging the battery pack for more than 24 hours.
- Please familiarize yourself with the instructions before attempting to use.
- Do not dispose of a battery pack in fire; it may explode.
- Do not charge or operate in a hazardous environment.
- Do not short circuit battery or charger.
- Do not attempt to charge a damaged battery.
- Do not attempt to open the battery pack.
- Recharging a battery only after it is fully discharged will prolong its life.
- Avoid recharging battery when fully or near fully charged.
- The charger unit is not intended for outdoor use. Use only indoors.
- Keep the battery pack environment cool during charging operation and storage, (i.e., not in direct sunlight or close to a heating source).
- Always dispose of used batteries per appropriate regulations.
- Rechargeable batteries, for longest life, should be recharged at least every 6 months even if they are in storage.



## CHARGING INSTRUCTIONS

- Plug charger power supply adapter in to 110 VAC 60 Hz power source. Plug the adapter jack in the charger base connection labeled “DC INPUT 12V”. The red “Power” light will come on indicating the unit is receiving power.
- **Set the charger voltage selector switch to 7.2V.**



- Slide battery in to the rear lower slot until the battery seats.
- Charging will begin when the battery is inserted correctly. The green “Charge” LED will light indicating charging has begun and one of the Battery Voltage red LEDs will light indicating the present nominal voltage of the battery. For deeply discharged batteries, up to two minutes may be required for the battery charger to reach a charging voltage and indicate a charge level. The LCD “Capacity” Meter will show the present percentage level of charge. The time to charge is dependent on the battery condition.
- If a discharged battery pack is too cold it will trickle charge until the pack warms up and then switch to high rate charge.
- It could take 3 to 4 hours to charge a fully discharged pack, when fully charged the buzzer will sound and the green “Charge” LED will blink. The charger will add a top off charge and then switch to trickle charge.
- It is recommended when the battery is fully charged that it be removed from the charger.

**Conditioning:** A new rechargeable battery pack may experience a low usable capacity during the first few charge cycles due to long storage. Do not be concerned. To condition a battery, simply press the “Refresh” Button on the charger. The “Refresh” LED light will come on and the battery will be fully discharged and recharged. Also, if your battery capacity appears degraded after frequent recharges, repeating the above procedure may restore some of the lost capacity. Every 15 to 20 charges is a good time to condition the battery. Battery packs loose charge when stored for a month or more.

A fully charged battery will be over 8.0 VDC. A fully discharged battery will be under 6.0 VDC.

If there are any problems or questions in the operation of this unit please call Telemotive Service.