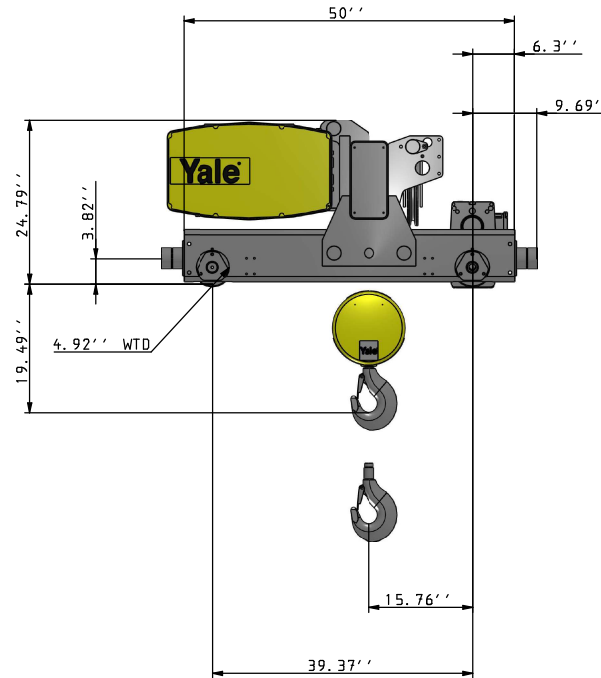
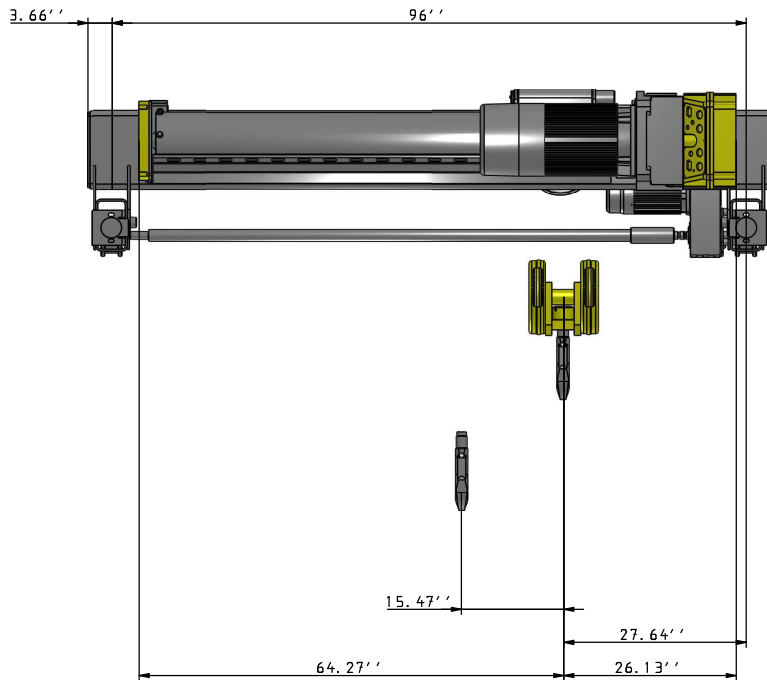
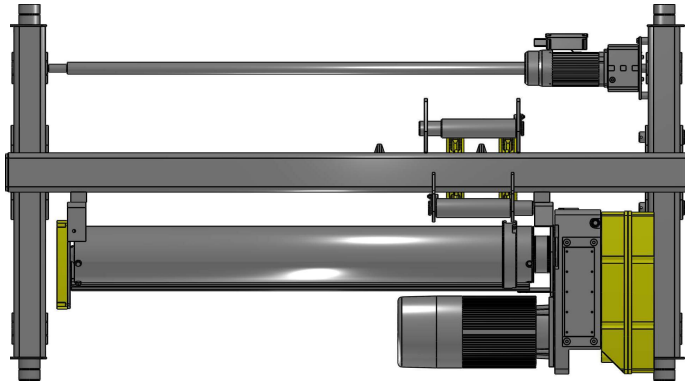


Yale YK Wire Rope Hoist

Top-Running Hoist and Trolley



Customer Name: QUOTATIONS CUSTOMER
 Quote Number: RZMLN, Line: 1
 Revision Number: 1
 Quote Date: 5/5/2020

TECHNICAL DATA

| | |
|-------------------------------|-------------------------|
| Hoist Platform | GN Wire Rope Hoist |
| Hoist Model Number | YKC-T10-066S420-2-96 |
| Rated Lift Capacity | 10 U.S. tons |
| Maximum Lift Distance | 66 ft (20.1 m) |
| Maximum Lifting Speed | 20 ft/min (6.1 m/min) |
| Reeving Style | 4-Part Single-Reeved |
| Hoist Control Type | Two-Speed |
| Hoist Suspension Type | Top Running Low Profile |
| Bridge Rail Size Min. (lb/yd) | 25# |
| Bridge Rail Size Max. | 40# |
| Trolley Traverse Speed (60Hz) | 80 ft/min (24.38 m/min) |
| Trolley Control Type | Two-Speed |
| Trolley Bumpers | Included |
| Hoist Duty Classification | HMI Class H4 |
| Operating Voltage | 460V / 3ph / 60Hz |
| Control Voltage | 120 VAC |
| Trolley Motor HP | 0.9 |
| Trolley Motor Qty | 1 |
| Base Weight of Hoist (lbs) | 1919.69 |

This document was generated by COMPASS®
 by Columbus McKinnon Corporation
 Getzville, New York USA

This drawing is intended for preliminary reference use only and depicts general clearance dimensions based on standard product configuration. If your application includes specific critical dimensional constraints it is recommended that an Approval Drawing be requested at time of order.

